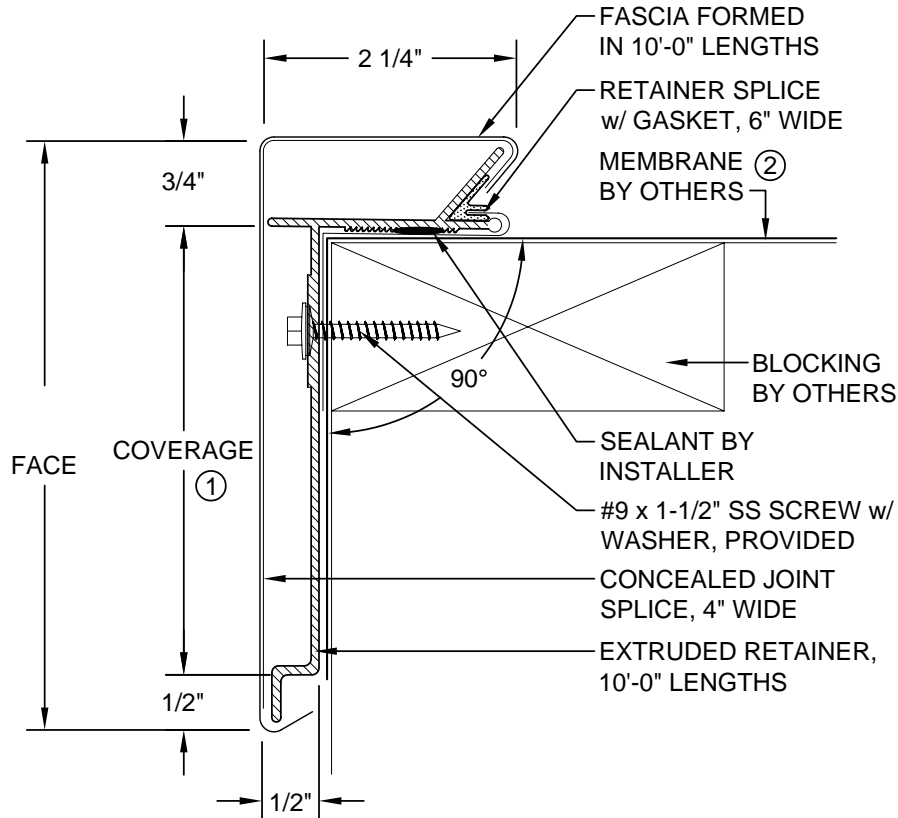




SecurEdge 3000 XT

ORDER / SPECIFICATION FORM
(For Single-Ply Membrane)



- ① Face = Coverage (should extend a min. of 1" below water resistant wall surface)+1 1/4".
- ② Coordinate installation with membrane manufacturer.

QUANTITY

- _____ Total LF (10'-0" pcs)
- _____ Miters (___ Outside, ___ Inside)
- _____ End Caps (___ Left, ___ Right)
- _____ End Terms (___ Left, ___ Right)
- _____ Radius LF (Notched - 10'-0" pcs)
- _____ Vaulted LF (Welded - 5'-0" pcs)
- _____ Sumps
- _____ Spill Outs
- _____ Special Corners (Attach Sketches)

MATERIAL	THICKNESS	ACCESSORY TYPE	FINISH
<input type="checkbox"/> Aluminum	<input type="checkbox"/> 0.040	<input type="checkbox"/> Folded	<input type="checkbox"/> Mill Finish
<input type="checkbox"/> Galvanized	<input type="checkbox"/> 0.050		<input type="checkbox"/> Prefinished Kynar
<input type="checkbox"/> Stainless Steel	<input type="checkbox"/> 0.063	<u>MODEL</u>	<input type="checkbox"/> Post Finished Kynar
<input type="checkbox"/> _____	<input type="checkbox"/> 24GA	<input type="checkbox"/> 375	<input type="checkbox"/> Prefinished Anodize
	<input type="checkbox"/> 22GA	<input type="checkbox"/> 525	<input type="checkbox"/> Post Finished Anodize
	<input type="checkbox"/> _____	<input type="checkbox"/> 675	<input type="checkbox"/> _____
		<input type="checkbox"/> 825	
		<input type="checkbox"/> 1125	
			<u>COLOR</u>

0.063 prefinished Kynar® is only available in Statuary Bronze, Medium Bronze, Sandstone, Dove Gray, Ascot White, Forest Green & Bone White

APPROVALS (Contact manufacturer for verification of test report data on your project)



CUSTOMER APPROVAL

- Approved for Fabrication
- Approved with Changes
- Disapproved, Resubmit

_____ Authorized Customer Signature

_____ Title _____ Date

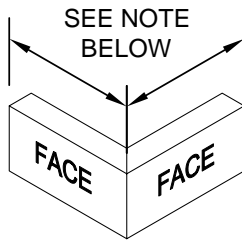
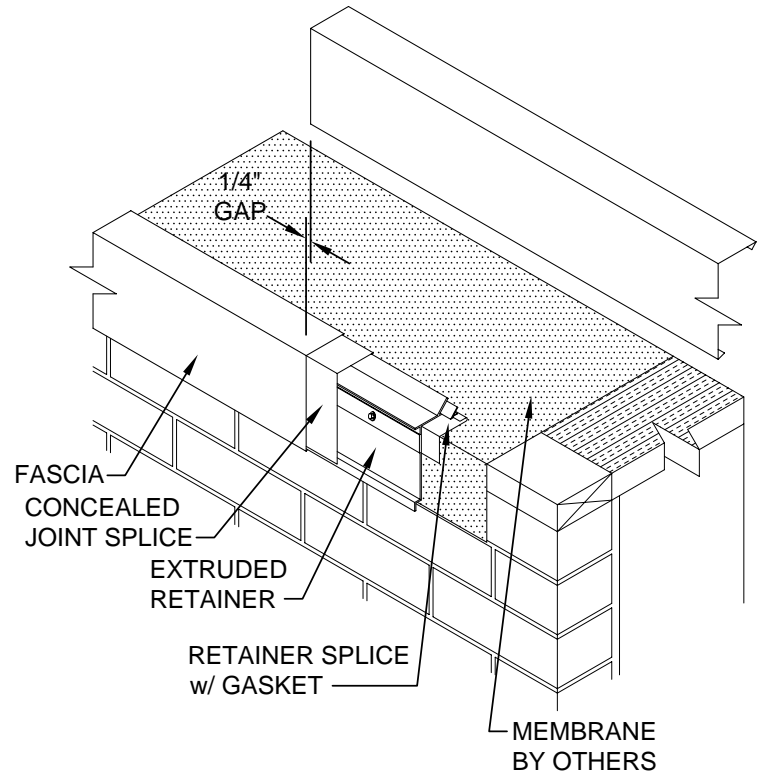
Job Name:	Customer:	By:
Job #:	Representative:	Date:
Location:	Architect:	Sheet of

CARLISLE SYNTEC INCORPORATED

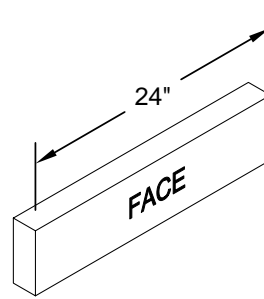
P.O. BOX 7000 - CARLISLE, PA 17013 - Phone: (800) FOR-SYNTEC - Fax: (717) 245-7245

SecurEdge 3000 XT

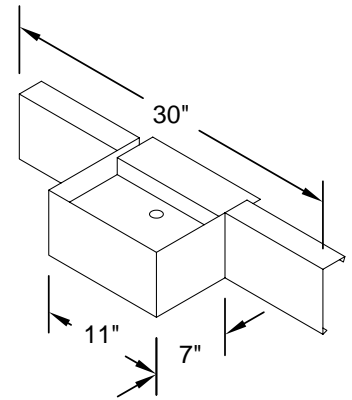
Fascia Model	Face Height	Nailer Coverage	Nailers Covered
375	3 3/4"	2 1/2"	1
525	5 1/4"	4"	2
675	6 3/4"	5 1/2"	3
825	8 1/4"	7"	4
1125	11 1/4"	10"	6



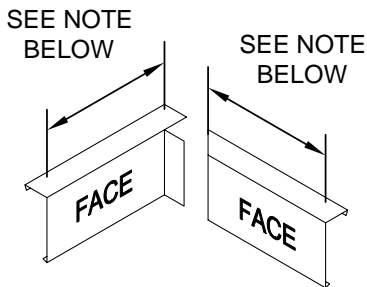
OUTSIDE MITER



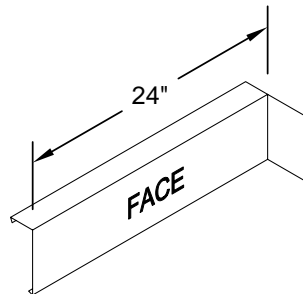
END CAP
 LEFT HAND SHOWN



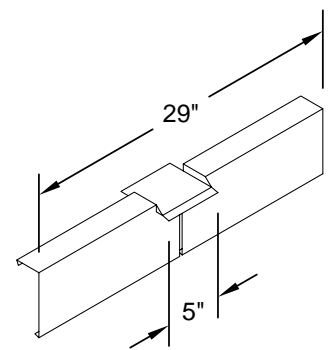
SUMP
 2 PIECE ASSEMBLY



INSIDE MITER
 2 PIECE ASSEMBLY



END TERM
 RIGHT HAND SHOWN



SPILLOUT
 3 PIECE ASSEMBLY

Standard fascia miter leg lengths: 12" nominal

Standard fascia miter angle is 90°

For special miter requirements, attach sketches or consult manufacturer for assistance.