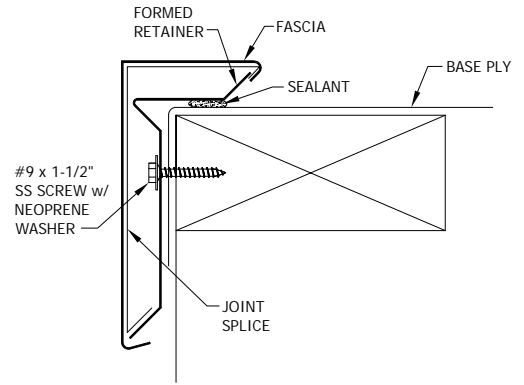




# Installation Guide for SecurEdge 3000



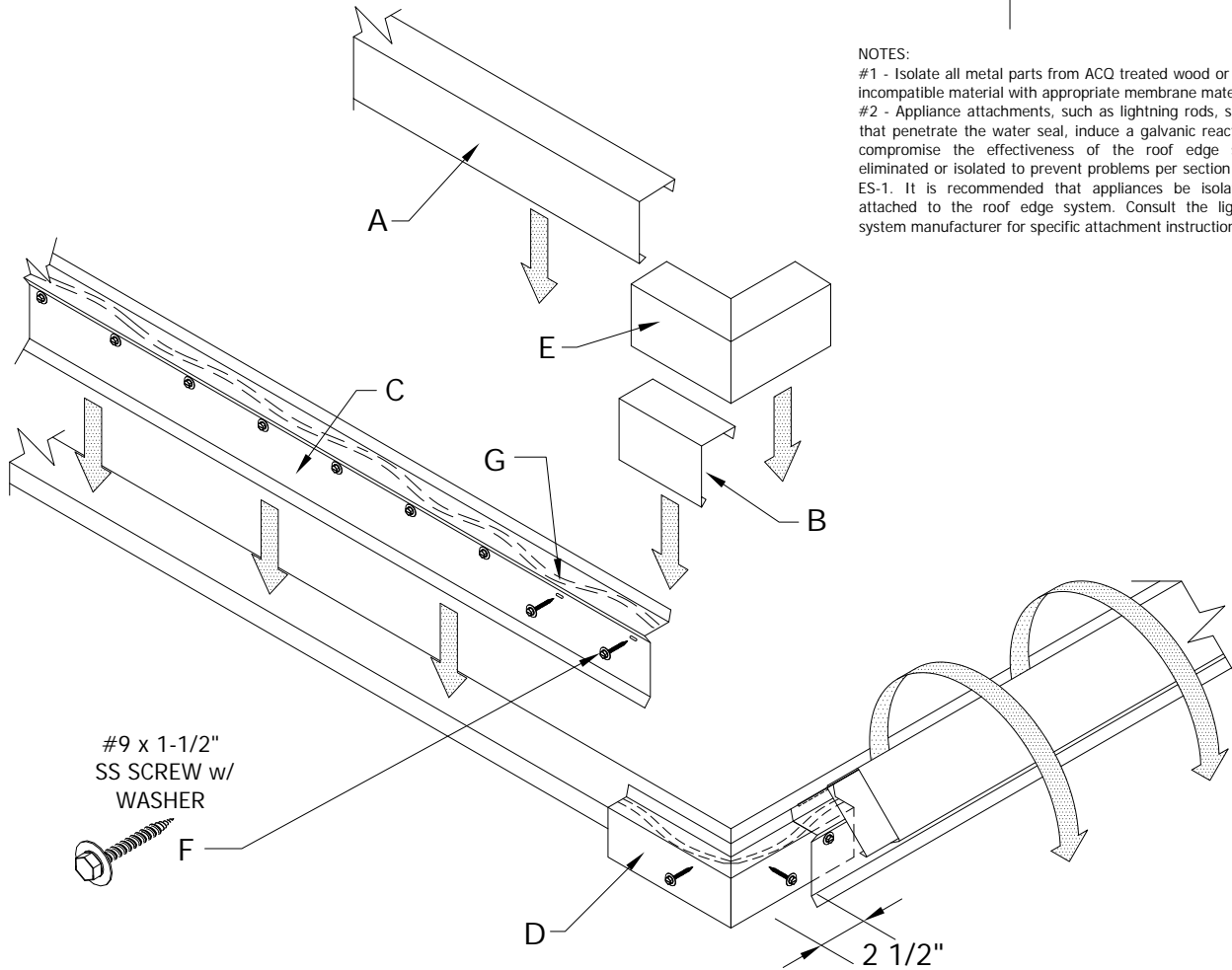
ANSI-SPRI ES-1 TESTED



**NOTES:**

#1 - Isolate all metal parts from ACQ treated wood or other galvanically incompatible material with appropriate membrane material.

#2 - Appliance attachments, such as lightning rods, signs, or antennae that penetrate the water seal, induce a galvanic reaction, or otherwise compromise the effectiveness of the roof edge system, shall be eliminated or isolated to prevent problems per section 8.0 of ANSI/SPRI ES-1. It is recommended that appliances be isolated from or not attached to the roof edge system. Consult the lightning protection system manufacturer for specific attachment instructions.

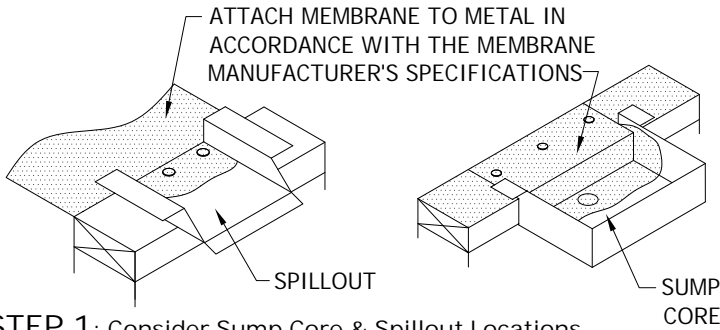


- A. Formed Fascia Cover  
10'-0" Lengths
- B. Concealed Joint Splice  
4" Lengths
- C. Formed Retainer  
10'-0" Lengths
- D. Corner Support (Outside)  
At All Inside and Outside Corners
- E. Fascia Miter Cover  
(Outside Corner Shown)

- F. #9 x 1-1/2" SS Screw w/ Neoprene Washer  
at 12" o.c. (6" from ends)  
Four (4) at All Corner Supports  
(Provided & Required by Manufacturer)
- G. Non-Hardening Sealant  
Continuous Bead of Sealant  
(By Installer)

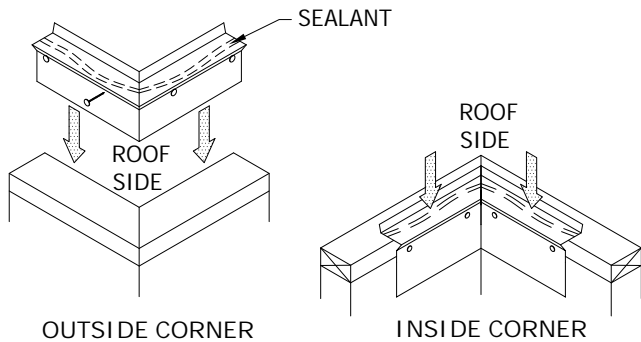
CARLISLE SYNTEC INCORPORATED

P.O. BOX 7000 - CARLISLE, PA 17013 - Phone: (800) FOR-SYNTEC - Fax: (717) 245-7245



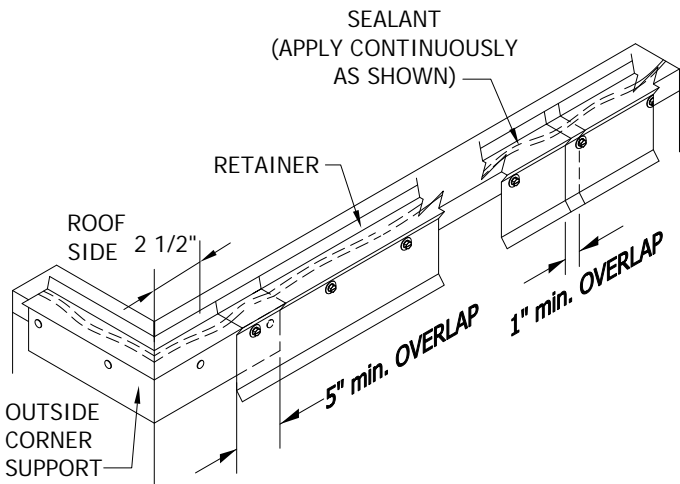
**STEP 1: Consider Sump Core & Spillout Locations**

Locate sump cores where downspouts will be located. Sumps are installed prior to the retainer. The retainer butts up to side(s) of sump core. Spillouts are installed along with the fascia lengths as required. Refer to "Spillout & Sump Core Install Guides" for more info on installation if necessary.



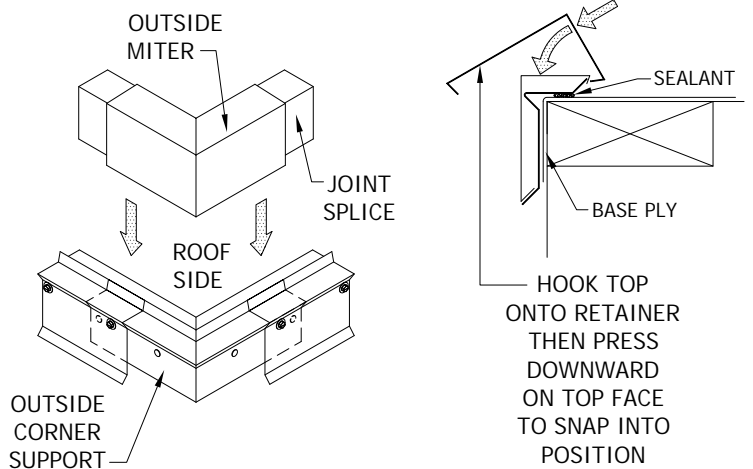
**STEP 2: Installing Corner Supports**

Locate corner supports for each corner. Apply a continuous bead of the roofing manufacturer's sealant to the bottom side of the corner support. Place two nails (provided by installer) in each side of the corner support.



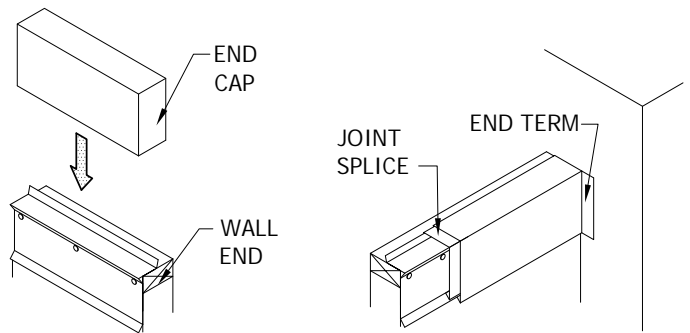
**STEP 3: Installing Retainer**

Apply a continuous bead of the roofing manufacturer's sealant to the bottom side of the retainer (see first page for detail view). Set the retainer onto the roof edge over membrane; overlap each corner support at least 5" on each side of the corner support; overlap each adjoining section a minimum of 1". Attach using mechanical screw fasteners (provided by manufacturer). Install a fastener in each pre-punched hole.



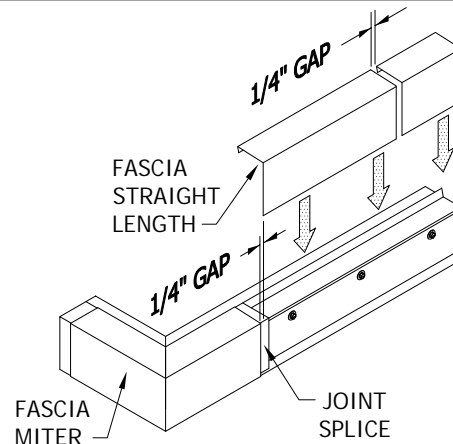
**STEP 4: Installing Fascia Miters**

Locate concealed joint splices in both ends of each fascia miter (as shown). Leave approximately 1/2 of the joint splice extending past the end of the miter leg. With splices inside of miter, hook the top flange of the miter onto the top flange of the retainer to engage the top. Once the top of the miter has been engaged to the top of the retainer, rotate the fascia outward towards the outside of the building and press down on the top flange of the fascia to snap the bottom hook onto the bottom of the retainer. Make sure that the hook of the fascia has fully engaged onto the retainer.



**STEP 5: Installing Fascia End Caps and End Terms**

Install end caps and end terms by hooking top and pressing top face downward to snap fascia into place (refer to STEP 4).



**NOTE:**  
HOOK TOP TO RETAINER THEN PRESS DOWNWARD ON TOP FACE TO SNAP INTO POSITION (REFER TO STEP 4)

**STEP 6: Installing Fascia Straight Lengths**

Place a concealed joint splice in the opposite end of the installed miter or end cap. Install the fascia by hooking top and pressing top face downward to snap fascia into place. Allow a 1/4" gap between fascia sections for thermal expansion. Lengths of all straight pieces should be considered prior to cutting to avoid creating relatively short sections of fascia adjacent to full length sections. Note: There should be a joint splice at every joint.