

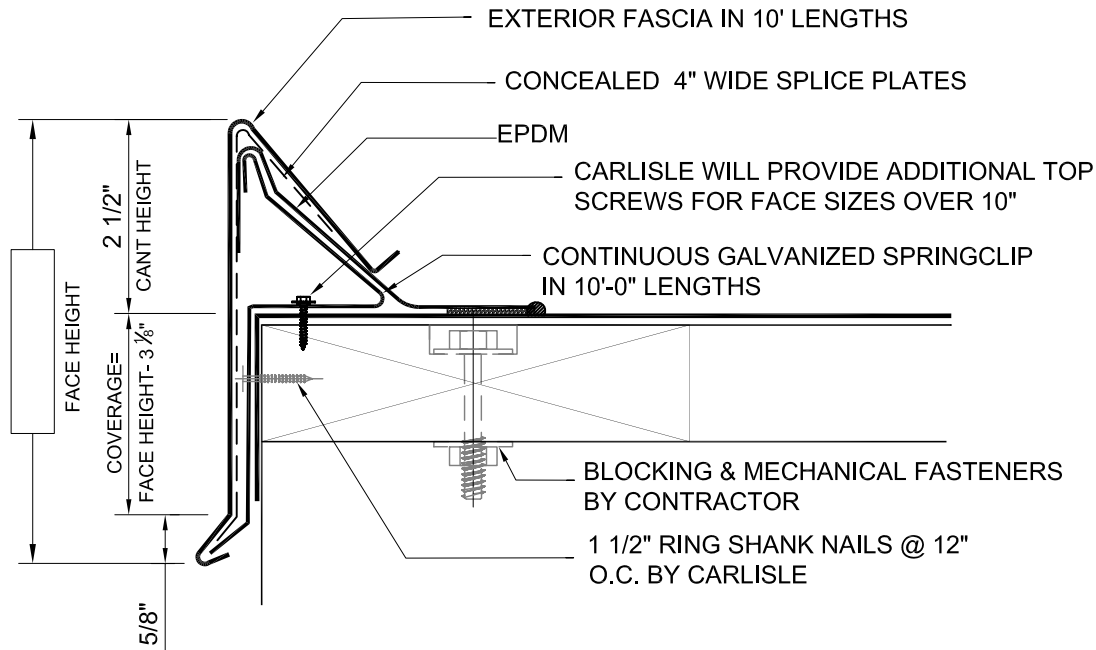


**Carlisle Syntec Incorporated**  
 P.O. Box 7000 · Carlisle, PA 17013  
 Phone: 800-FOR-SYNTEC FAX: 717-245-7245

**SecurEdge 300 Fascia**  
**Order /Specification Form**  
 (For EPDM)

**Factory Mutual Approved\***  
**ANSI/SPRI ES-1 Tested\***

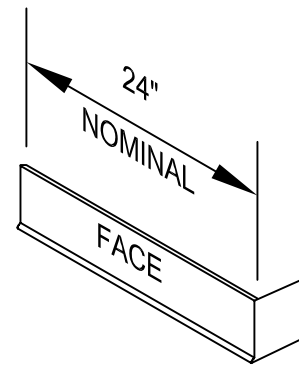
\* Please contact manufacturer for verification of test report data on your specific project



<b>DETAIL:</b>	<b>ARCHITECTURAL REF:</b>	<b>DESCRIPTION:</b>		
<b>QUANTITY, THIS DETAIL</b> _____ TOTAL LF _____ OUTSIDE CORNERS _____ INSIDE CORNERS _____ SPECIAL CORNERS (attach sketches) _____ END CAP - L _____ END CAP - R _____ END TERM - L _____ END TERM - R _____ RADIUS LF _____ RADIUS CORNERS (attach sketches)		<b>MATERIAL</b> <input type="checkbox"/> ALUMINUM <input type="checkbox"/> GALVANIZED <input type="checkbox"/> STAINLESS STEEL <input type="checkbox"/> _____	<b>ACCESSORY TYPE</b> <input type="checkbox"/> WELDED <input type="checkbox"/> METAL-LOCK  <b>* IF ACCESSORY TYPE IS NOT CHECKED, WE WILL ASSUME "METAL-LOCK"</b>	<b>FINISH</b> <input type="checkbox"/> MILL FINISH <input type="checkbox"/> PREFINISHED KYNAR <input type="checkbox"/> POST FINISHED KYNAR <input type="checkbox"/> PREFINISHED ANODIZE <input type="checkbox"/> POST FINISHED ANODIZE <input type="checkbox"/> _____  <b>.063 PREFINISHED KYNAR IS ONLY AVAILABLE IN 7 STD. COLORS.</b>
		<b>THICKNESS</b> <input type="checkbox"/> .050 <input type="checkbox"/> .063 <input type="checkbox"/> .080 <input type="checkbox"/> 24 GA <input type="checkbox"/> EXTRUDED (SEE NOTE) <input type="checkbox"/> _____	<b>COLOR</b> _____  <b>MEMBRANE TYPE &amp; THICKNESS</b> _____	
<b>Transmittal</b> <input type="checkbox"/> REQUEST FOR QUOTATION <input type="checkbox"/> SUBMIT FOR APPROVAL <input type="checkbox"/> REQUEST FOR INFORMATION <input type="checkbox"/> CONFIRMING TELECONFERENCE <input type="checkbox"/> FOR YOUR FILES By _____ Date _____		<b>Customer Approval</b> <input type="checkbox"/> APPROVED FOR FABRICATION <input type="checkbox"/> APPROVED AS NOTED <input type="checkbox"/> AMEND & RESUBMIT  _____ <b>Authorized Customer Signature</b> _____ <b>Title</b> _____ <b>Date</b> _____		
<b>Job Name</b>		<b>Job #</b>		
<b>Location</b>		<b>Sheet of</b>		
<b>Customer</b>		<b>By</b>		
<b>Representative</b>		<b>Date</b>		
<b>Architect</b>				

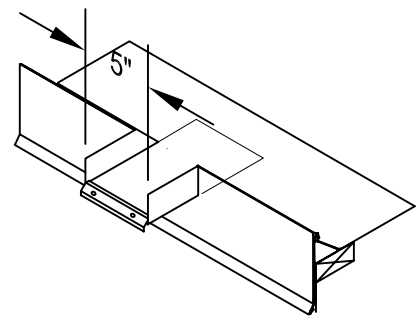
# SecurEdge 300 Fascia

Fascia Model	Fascia Face Height in.	Minimum Fascia Gauge in.	Maximum Nailor Thickness Covered in.	Springclip Gauge B&S
SE300-550	5 1/2	.050	2 1/4	24
SE300-700	7	.050	3 3/4	24
SE300-850	8 1/2	.050	5 1/4	24
SE300-1000	10	.063	6 3/4	22

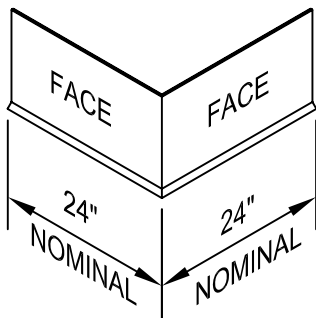


**END CAP**  
RIGHT HAND SHOWN

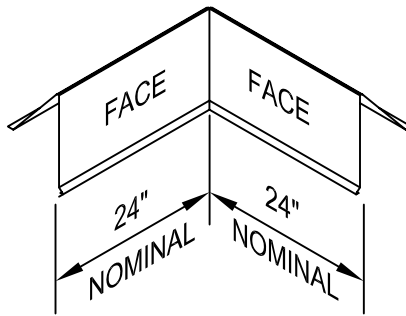
Intermediate Formed Fascia Sizes May Be Specified Within The Formed Fascia Ranges.



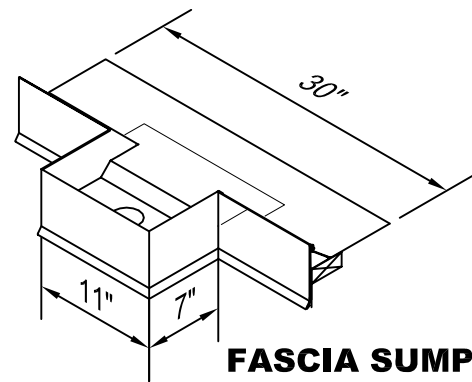
**SPILLOUT SCUPPER**



**OUTSIDE CORNER**



**INSIDE CORNER**



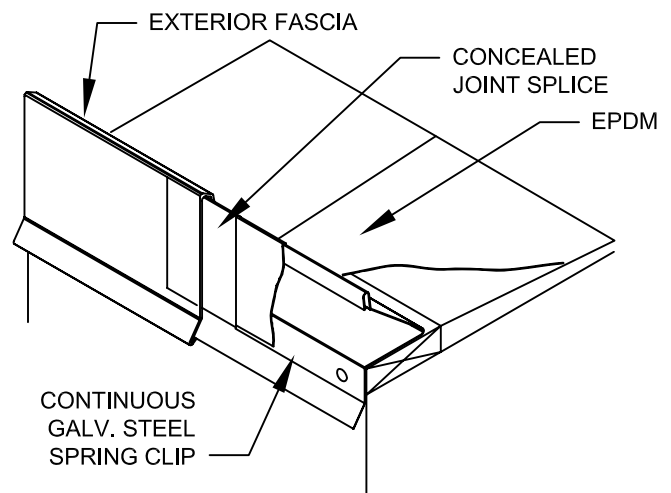
**FASCIA SUMP**

NOTE: VERIFY ALL INSTALLATION DETAILS FOR ACCEPTANCE BY CARLISLE

STANDARD FASCIA CORNERS ARE 90° - 24" x 24". STANDARD END CAPS ARE 24" LONG.

FOR SPECIAL CORNER REQUIREMENTS, ATTACH SKETCHES. OR CONSULT MFR. FOR ASSISSTANCE.

MINIMUM AND MAXIMUM SIZES ARE INDICATED. INTERMEDIATE SIZES MAY BE SPECIFIED WITHIN THESE RANGES. CONSULT MFR. FOR REQUIREMENTS NOT WITHIN THESE RANGES. WHEN FACE SIZE EXCEEDS STD., ADDITIONAL FASTENERS ARE REQUIRED ON FACE OF SPRINGCLIP.



**Carlisle Syntec Incorporated**  
P.O. Box 7000 · Carlisle, PA 17013  
Phone: 800-FOR-SYNTEC FAX: 717-245-7245