



**Carlisle Syntec Incorporated**  
 P.O. Box 7000 · Carlisle, PA 17013  
 Phone: 800-FOR-SYNTec FAX: 717-245-7245

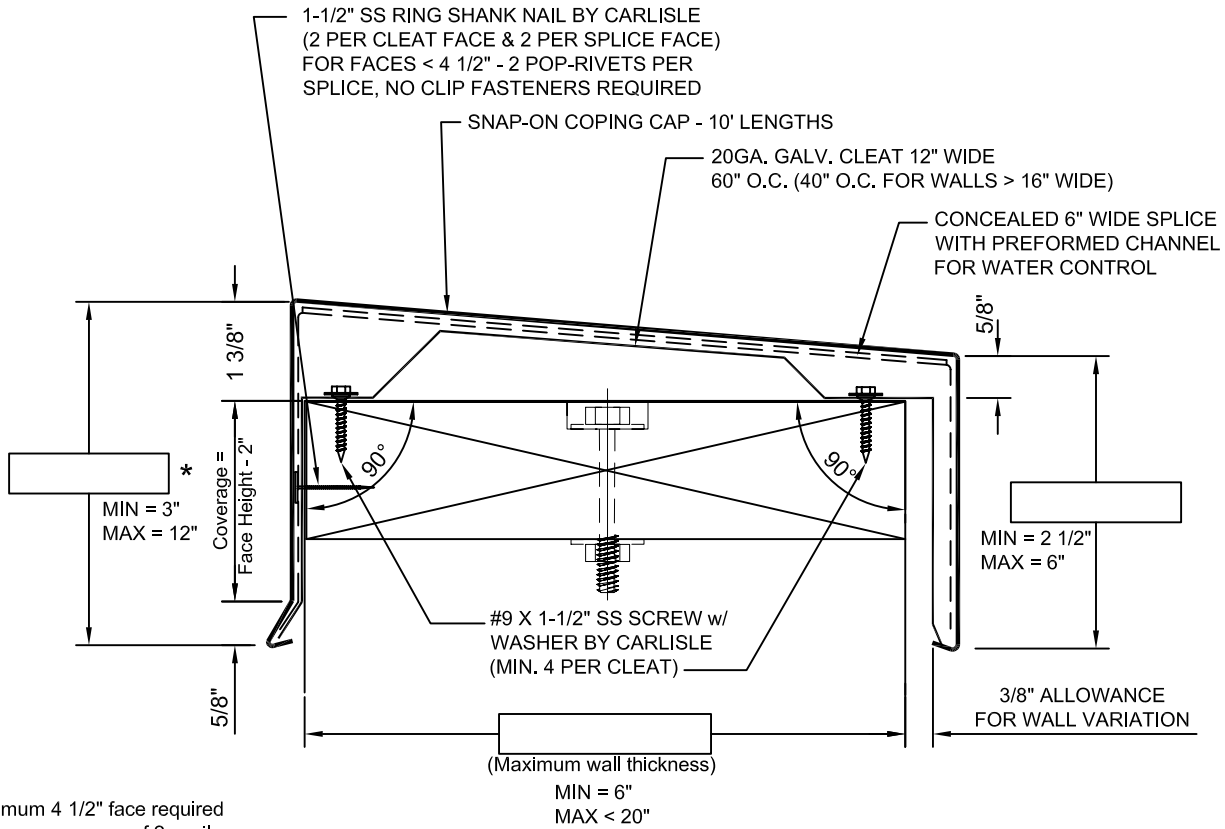
## Securedge 300 Coping Order /Specification Form

(For Parapets 6" - 20")

**Factory Mutual Approved\***

**ANSI/SPRI ES-1 Tested\***

\* Please contact manufacturer for verification of test report data on your specific project



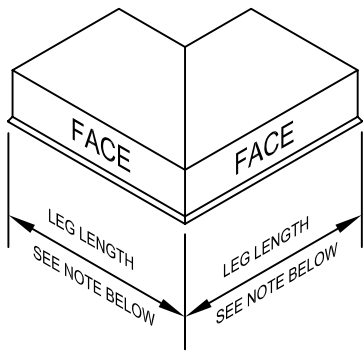
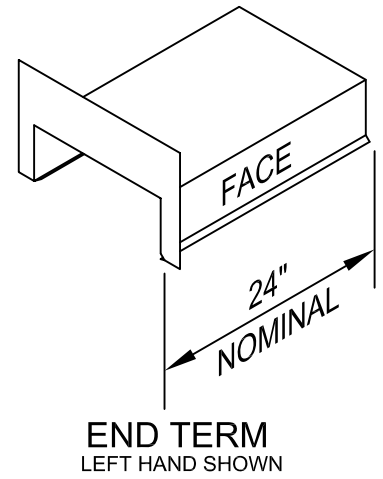
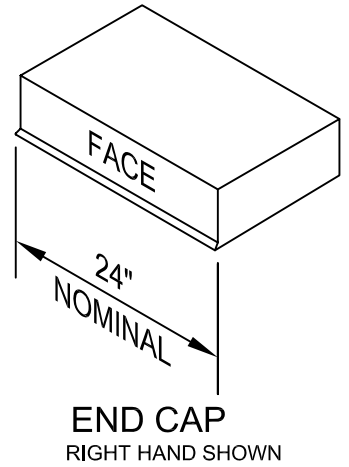
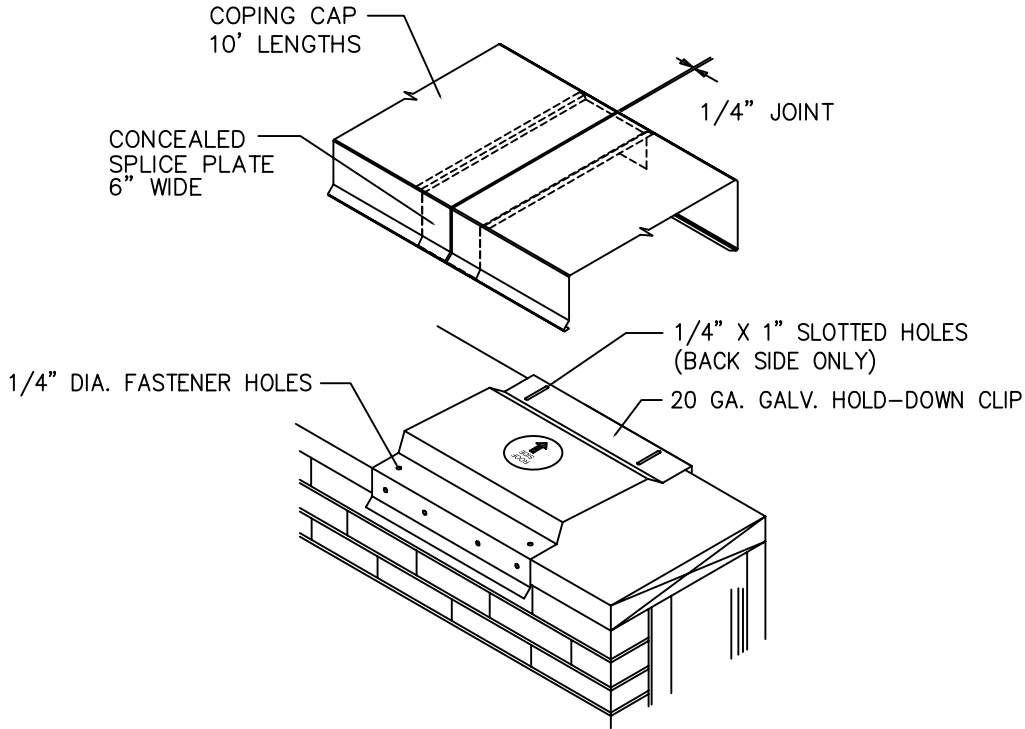
\* Minimum 4 1/2" face required for proper coverage of 2x nailer

QUANTITY, THIS DETAIL	MATERIAL	ACCESSORY TYPE	FINISH
_____ TOTAL LF	<input type="checkbox"/> ALUMINUM	<input type="checkbox"/> WELDED	<input type="checkbox"/> MILL FINISH
_____ OUTSIDE CORNERS	<input type="checkbox"/> GALVANIZED	<input type="checkbox"/> METAL-LOK	<input type="checkbox"/> PREFINISHED KYNAR
_____ INSIDE CORNERS	<input type="checkbox"/> _____	<b>* IF ACCESSORY TYPE IS NOT CHECKED, WE WILL ASSUME METAL-LOK.</b>	<input type="checkbox"/> POST FINISHED KYNAR
_____ SPECIAL CORNERS (attach sketches)	<b>THICKNESS</b>		<input type="checkbox"/> PREFINISHED ANODIZE
_____ END CAP - L	<input type="checkbox"/> .040**		<input type="checkbox"/> POST FINISHED ANODIZE
_____ END CAP - R	<input type="checkbox"/> .050		<input type="checkbox"/> _____
_____ END TERM - L	<input type="checkbox"/> .063		<b>.063 PREFINISHED KYNAR IS ONLY AVAILABLE IN 7 STD. COLORS.</b>
_____ END TERM - R	<input type="checkbox"/> .080		<b>COLOR _____</b>
_____ RADIUS LF (60" PCS)	<input type="checkbox"/> .125		
_____ RADIUS CORNERS (attach sketches)	<input type="checkbox"/> 24 GA**		
	<input type="checkbox"/> _____		
	**24 GA. GALVANIZED STEEL AND 0.040 ALUMINUM WILL PERFORM UP TO WALL WIDTHS OF 24". THESE METAL THICKNESSES MAY TELELGRAPH AT CLEAT LOCATIONS.		

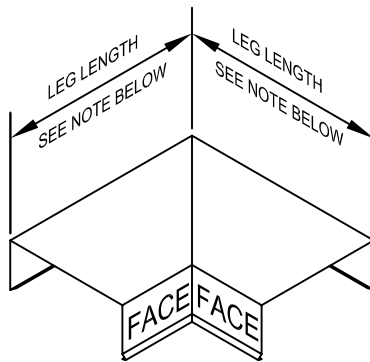
TRANSMITTAL <input type="checkbox"/> REQUEST FOR QUOTATION <input type="checkbox"/> REQUEST FOR INFORMATION <input type="checkbox"/> SUBMIT AS QUOTATION <input type="checkbox"/> CONFIRMING TELCON <input type="checkbox"/> SUBMIT FOR APPROVAL <input type="checkbox"/> FOR YOUR FILES BY: _____ DATE: _____	CUSTOMER APPROVAL : <input type="checkbox"/> APPROVED FOR FABRICATION _____ <input type="checkbox"/> APPROVED WITH CHANGES   AUTHORIZED CUSTOMER SIGNATURE _____ <input type="checkbox"/> DISAPPROVED, RESUBMIT _____ TITLE _____ DATE _____
--	--

JOB NAME	JOB #
LOCATION	SHEET OF
CUSTOMER	BY
REPRESENTATIVE	DATE
ARCHITECT	

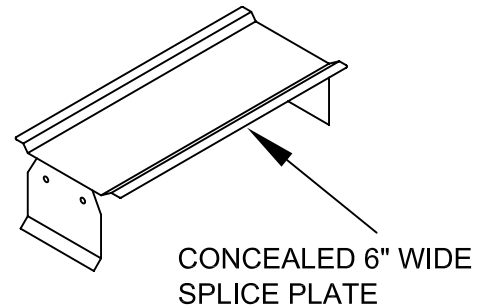
# Securedge 300 Coping



OUTSIDE CORNER



INSIDE CORNER



STANDARD COPING CORNERS LEG LENGTHS:  
 LENGTH = 23 1/4" FOR 6" - 16" WALL WIDTHS  
 LENGTH = 29 1/4" FOR 17" - 23" WALL WIDTHS  
 LENGTH = CUSTOM FOR WALL WIDTHS > 23"

FOR SPECIAL CORNER REQUIREMENTS, ATTACH SKETCHES, OR  
 CONSULT MFR. FOR ASSISTANCE.



**Carlisle Syntec Incorporated**  
 P.O. Box 7000 · Carlisle, PA 17013  
 Phone: 800-FOR-SYNTec FAX: 717-245-7245