



**DERBIGUM®**  
MAKING BUILDINGS SMART

# PERLOK® 90 COPING

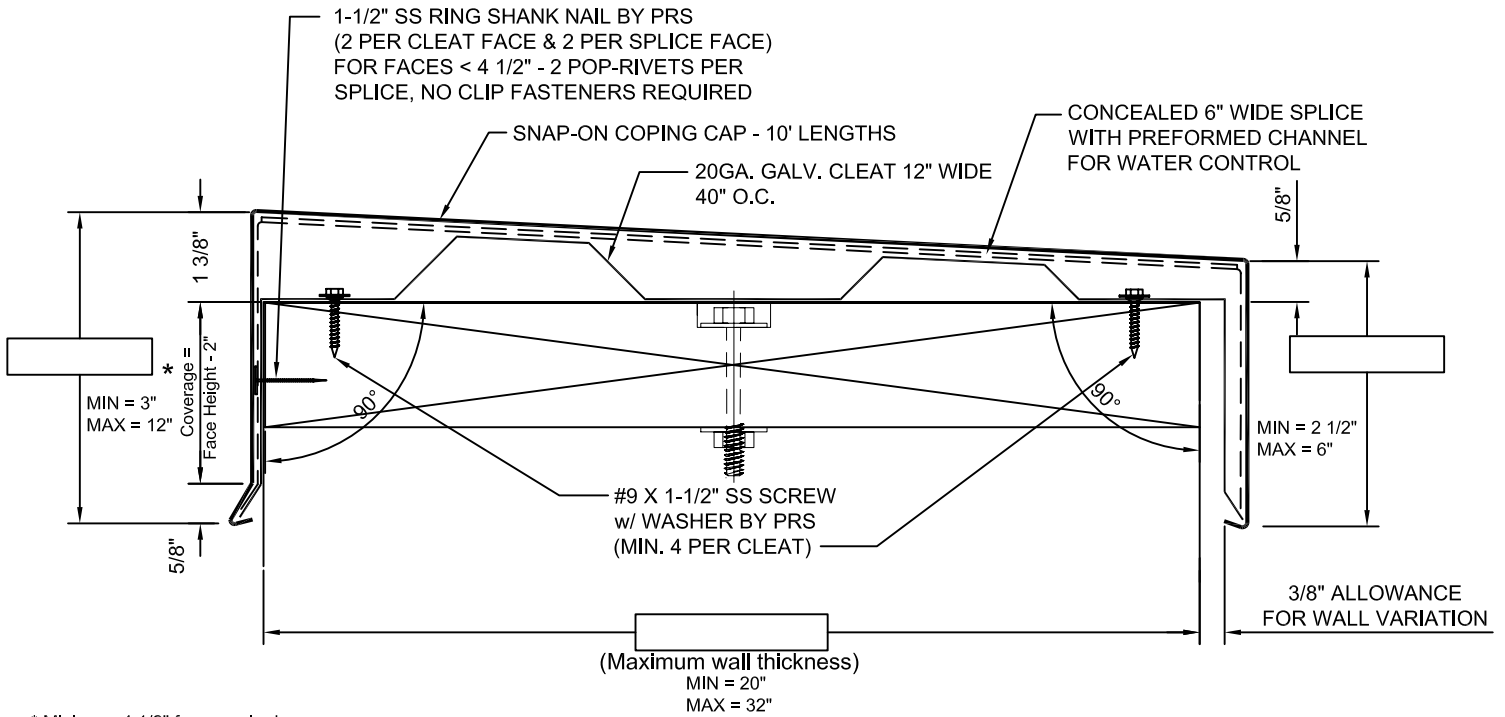
## Order/Specification Form

(For Parapets 20" - 32")

**Factory Mutual Approved\***

**ANSI/SPRI ES-1 Tested\***

\* Please contact manufacturer for verification of test report data on your specific project



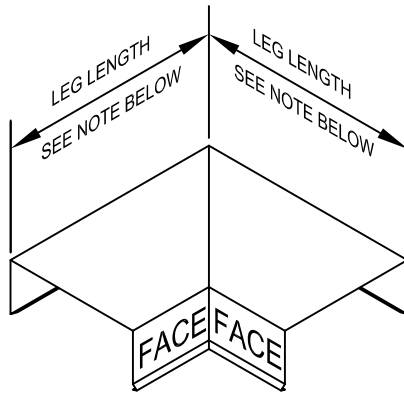
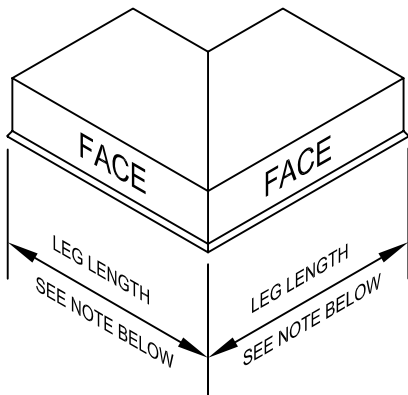
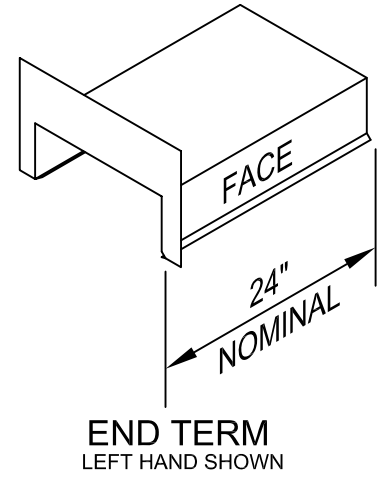
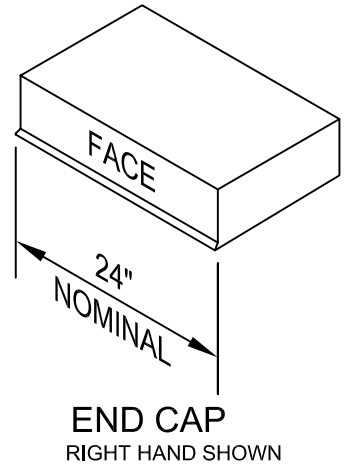
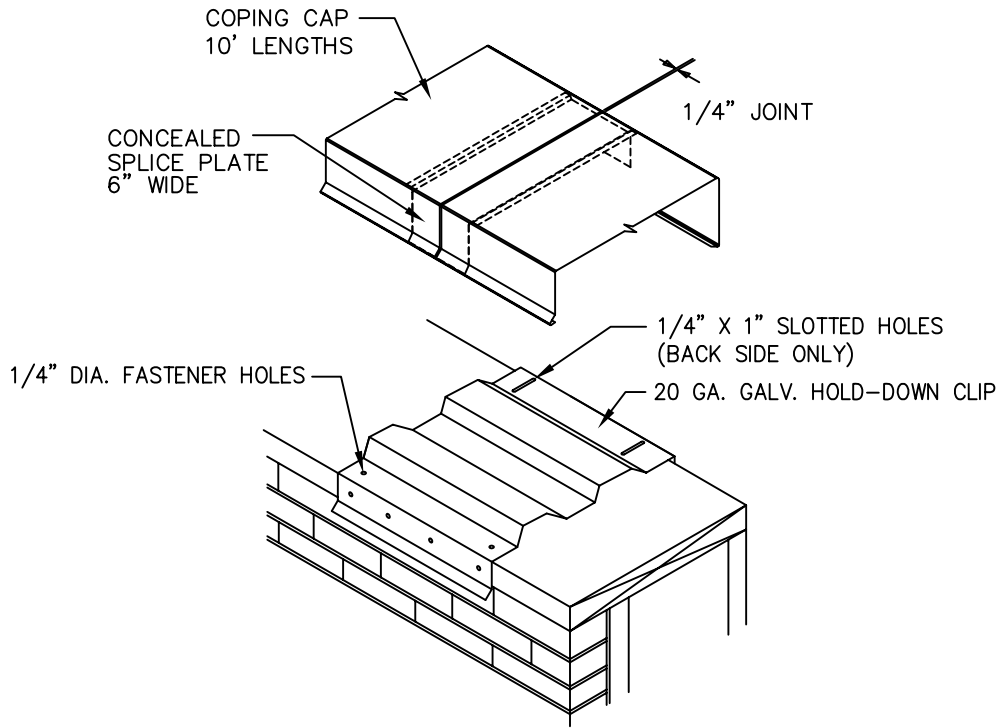
\* Minimum 4 1/2" face required for proper coverage of 2x nailer

| QUANTITY, THIS DETAIL                      | MATERIAL  | ACCESSORY TYPE  | FINISH  |
|--|---|---|---|
| _____ TOTAL LF                             | <input type="checkbox"/> ALUMINUM   | <input type="checkbox"/> WELDED                               | <input type="checkbox"/> MILL FINISH                              |
| _____ OUTSIDE CORNERS                      | <input type="checkbox"/> GALVANIZED   | <input type="checkbox"/> METAL-LOK                            | <input type="checkbox"/> PREFINISHED KYNAR                        |
| _____ INSIDE CORNERS                       | <input type="checkbox"/> _____  | * IF ACCESSORY TYPE IS NOT CHECKED, WE WILL ASSUME METAL-LOK. | <input type="checkbox"/> POST FINISHED KYNAR                      |
| _____ SPECIAL CORNERS<br>(attach sketches) | <b>THICKNESS</b>  |   | <input type="checkbox"/> PREFINISHED ANODIZE                      |
| _____ END CAP - L                          | <input type="checkbox"/> .050   |   | <input type="checkbox"/> POST FINISHED ANODIZE                    |
| _____ END CAP - R                          | <input type="checkbox"/> .063   |   | <input type="checkbox"/> _____                                    |
| _____ END TERM - L                         | <input type="checkbox"/> .080   |   | <b>.063 PREFINISHED KYNAR IS ONLY AVAILABLE IN 7 STD. COLORS.</b> |
| _____ END TERM - R                         | <input type="checkbox"/> .125   |   |   |
| _____ RADIUS LF (60" PCS)                  | <input type="checkbox"/> 24 GA.** (FOR 20" - 24" WALLS ONLY)  |   |   |
| _____ RADIUS CORNERS<br>(attach sketches)  | <input type="checkbox"/> _____  |   |   |
|  | **24 GA. GALVANIZED STEEL AND 0.040 ALUMINUM WILL PERFORM UP TO WALL WIDTHS OF 24". THESE METAL THICKNESSES MAY TELEGRAPH AT CLEAT LOCATIONS. |   | <b>COLOR</b> _____  |

|  |  |
|--|--|
| TRANSMITTAL<br><input type="checkbox"/> REQUEST FOR QUOTATION <input type="checkbox"/> REQUEST FOR INFORMATION<br><input type="checkbox"/> SUBMIT AS QUOTATION <input type="checkbox"/> CONFIRMING TELCON<br><input type="checkbox"/> SUBMIT FOR APPROVAL <input type="checkbox"/> FOR YOUR FILES<br><br>BY: _____ DATE: _____ | CUSTOMER APPROVAL :<br><input type="checkbox"/> APPROVED FOR FABRICATION _____<br><input type="checkbox"/> APPROVED WITH CHANGES _____ AUTHORIZED CUSTOMER SIGNATURE<br><input type="checkbox"/> DISAPPROVED, RESUBMIT _____<br><br>TITLE _____ DATE _____ |
|--|--|

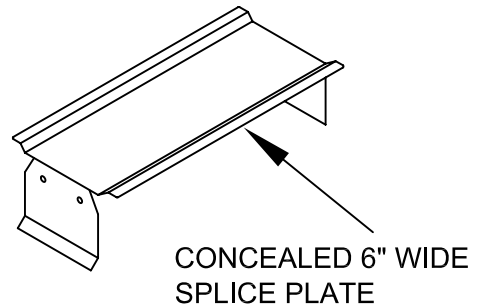
|                |          |
|----------------|----------|
| JOB NAME       | JOB #    |
| LOCATION       | SHEET OF |
| CUSTOMER       | BY       |
| REPRESENTATIVE | DATE     |
| ARCHITECT      |          |

# Perlok 90 Coping



OUTSIDE CORNER

INSIDE CORNER



STANDARD COPING CORNERS LEG LENGTHS:  
 LENGTH = 23 1/4" FOR 6" - 16" WALL WIDTHS  
 LENGTH = 29 1/4" FOR 17" - 23" WALL WIDTHS  
 LENGTH = CUSTOM FOR WALL WIDTHS > 23"

FOR SPECIAL CORNER REQUIREMENTS, ATTACH SKETCHES, OR CONSULT MFR. FOR ASSISTANCE.