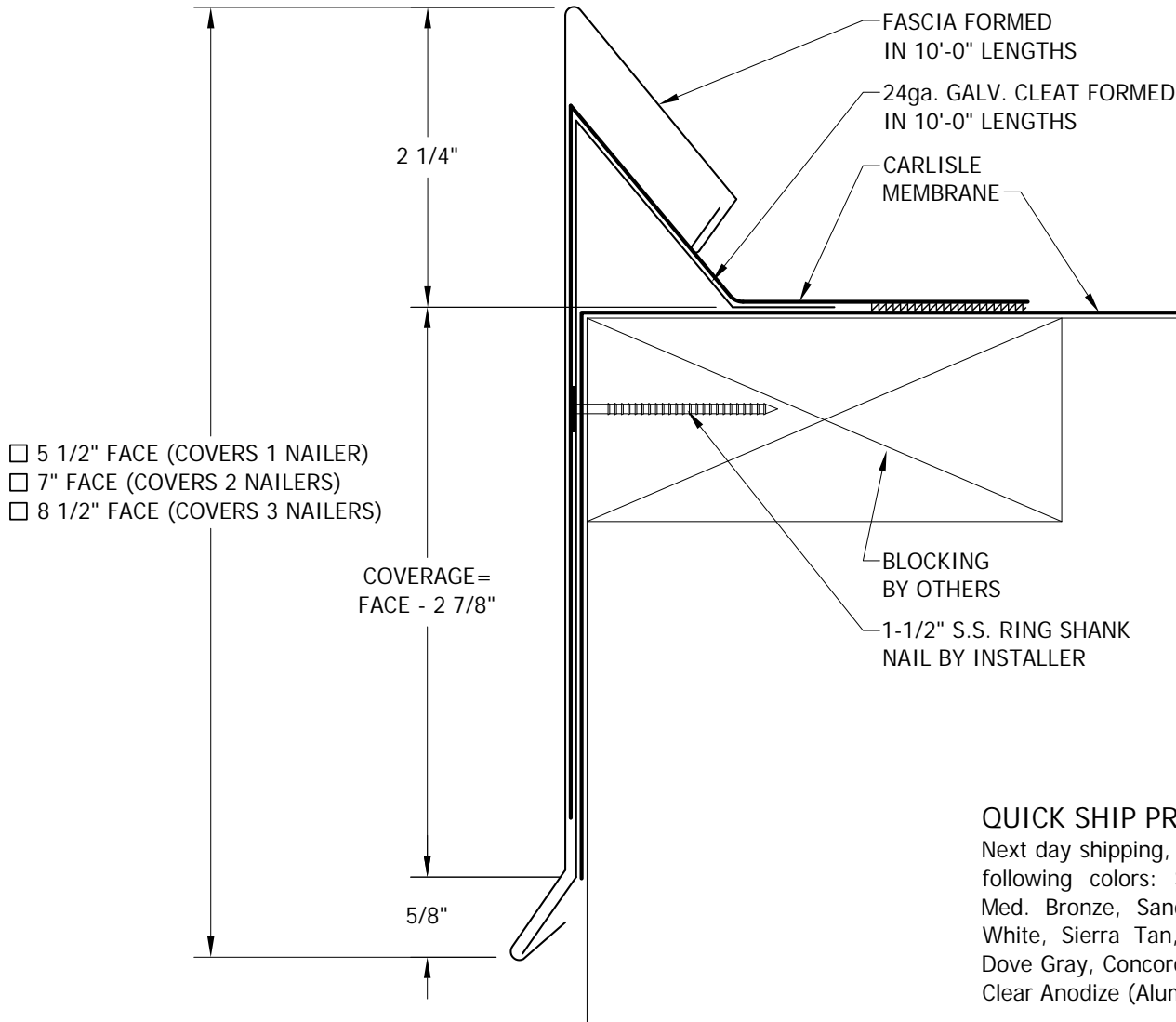




EconoEdge Canted Fascia

ORDER / SPECIFICATION FORM



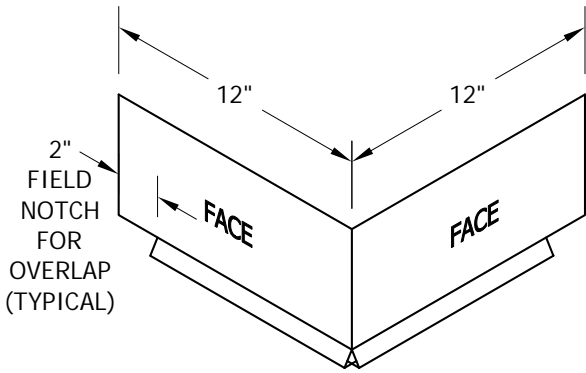
QUICK SHIP PROGRAM:
 Next day shipping, limited to the following colors: Stat. Bronze, Med. Bronze, Sandstone, Bone White, Sierra Tan, Shale Gray, Dove Gray, Concord Cream, Mill, Clear Anodize (Aluminum Only)

QUANTITY: _____ Total LF _____ Miters (___ Outside, ___ Inside) _____ End Caps - Inserts (___ Left, ___ Right) _____ End Terms - Inserts (___ Left, ___ Right) _____ Radius LF (120" Notched pcs) _____ Sumps _____ Spillouts	MATERIAL: <input type="checkbox"/> 0.040 Aluminum <input type="checkbox"/> 24ga Galvanized SHIPPING: <input type="checkbox"/> Quick Ship Program	ACCESSORY TYPE: All Accessories are Folded	FINISH: <input type="checkbox"/> Mill Finish <input type="checkbox"/> Prefinished Kynar <input type="checkbox"/> Clear Anodize COLOR: _____
APPROVALS: ANSI/SPRI ES-1 TESTED	CUSTOMER APPROVAL: <input type="checkbox"/> Approved for Fabrication <input type="checkbox"/> Approved with Changes <input type="checkbox"/> Disapproved, Resubmit _____ Authorized Customer Signature Title _____ Date _____		
Job Name: _____	Customer: _____	By: _____	
Job #: _____	Representative: _____	Date: _____	
Location: _____	Architect: _____	Sheet _____ of _____	

EconoEdge Canted Fascia

NOTE:

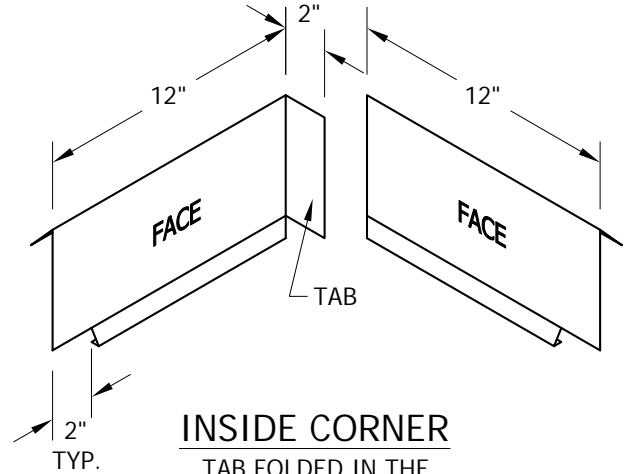
Starting at the corners, notch the drip and the hem on both legs so that the adjoining part can overlap it. Each subsequent straight length will require the drip and the hem to be notched at one end.



2"
FIELD
NOTCH
FOR
OVERLAP
(TYPICAL)

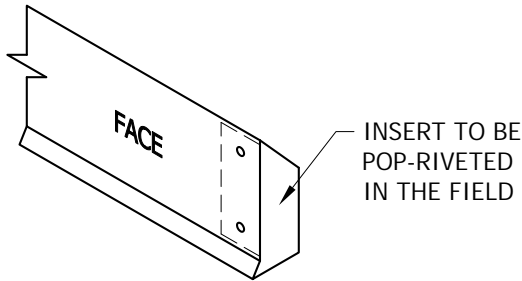
OUTSIDE CORNER

MITER FOLDED IN THE
FIELD PER BLDG. ANGLE



INSIDE CORNER

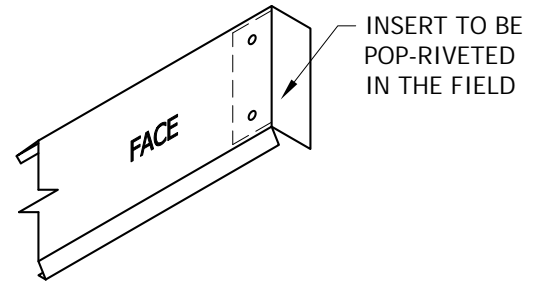
TAB FOLDED IN THE
FIELD PER BLDG. ANGLE



INSERT TO BE
POP-RIVETED
IN THE FIELD

END CAP

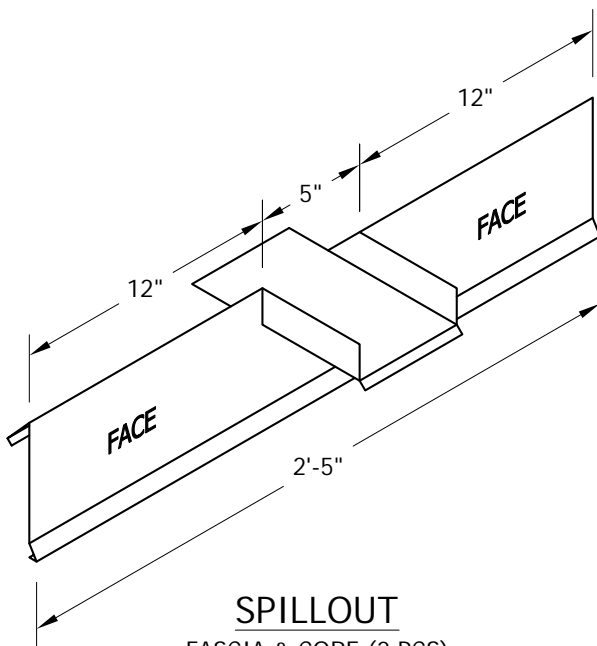
RIGHT HAND SHOWN



INSERT TO BE
POP-RIVETED
IN THE FIELD

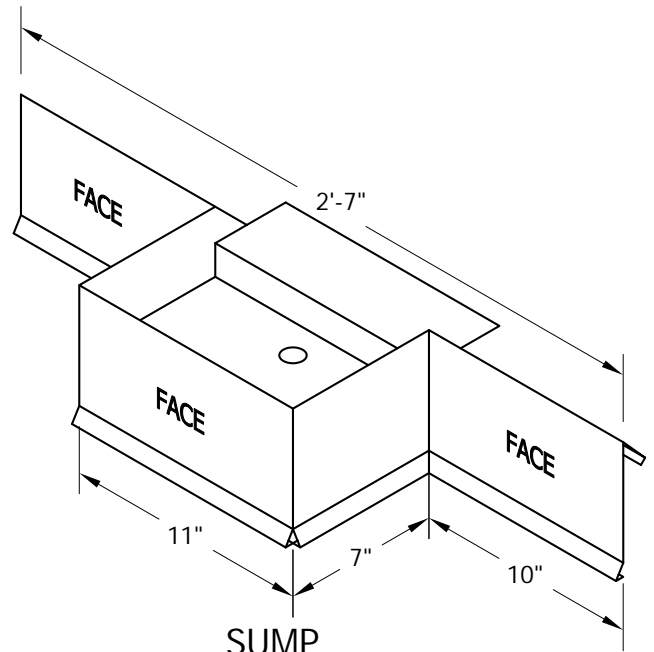
END TERM

RIGHT HAND SHOWN



SPILLOUT

FASCIA & CORE (2 PCS)



SUMP

FASCIA & CORE (2 PCS)