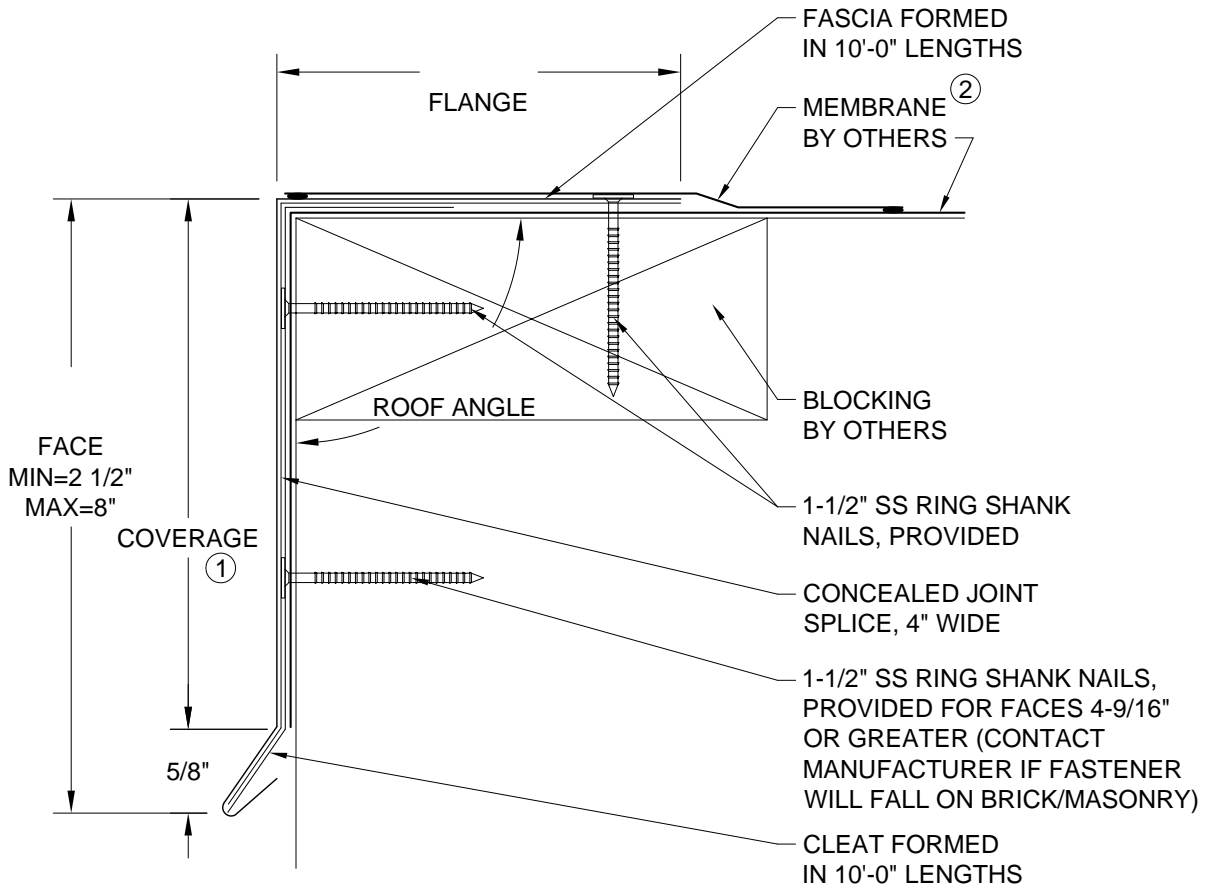




# Sure-Seal Drip Edge

ORDER / SPECIFICATION FORM



- ① Face = Coverage (should extend a min. of 1" below water resistant wall surface)+5/8".
- ② Coordinate installation with membrane manufacturer.

QUANTITY	MATERIAL	THICKNESS	ACCESSORY TYPE	FINISH
_____ Total LF (10'-0" pcs)	<input type="checkbox"/> Aluminum	<input type="checkbox"/> 0.032	<input type="checkbox"/> Welded	<input type="checkbox"/> Mill Finish
_____ Miters (___ Outside, ___ Inside)	<input type="checkbox"/> Galvanized	<input type="checkbox"/> 0.040	<input type="checkbox"/> Folded	<input type="checkbox"/> Prefinished Kynar
_____ End Caps (___ Left, ___ Right)	<input type="checkbox"/> Stainless Steel	<input type="checkbox"/> 0.050		<input type="checkbox"/> Post Finished Kynar
_____ Radius LF (5'-0" pcs)	<input type="checkbox"/> _____	<input type="checkbox"/> 0.063		<input type="checkbox"/> Prefinished Anodize
_____ Vaulted LF (5'-0" pcs)		<input type="checkbox"/> 0.080		<input type="checkbox"/> Post Finished Anodize
(See Profile on Back)		<input type="checkbox"/> 0.125		<input type="checkbox"/> _____
		<input type="checkbox"/> 24GA		
		<input type="checkbox"/> 22GA		
				<u>COLOR</u> _____

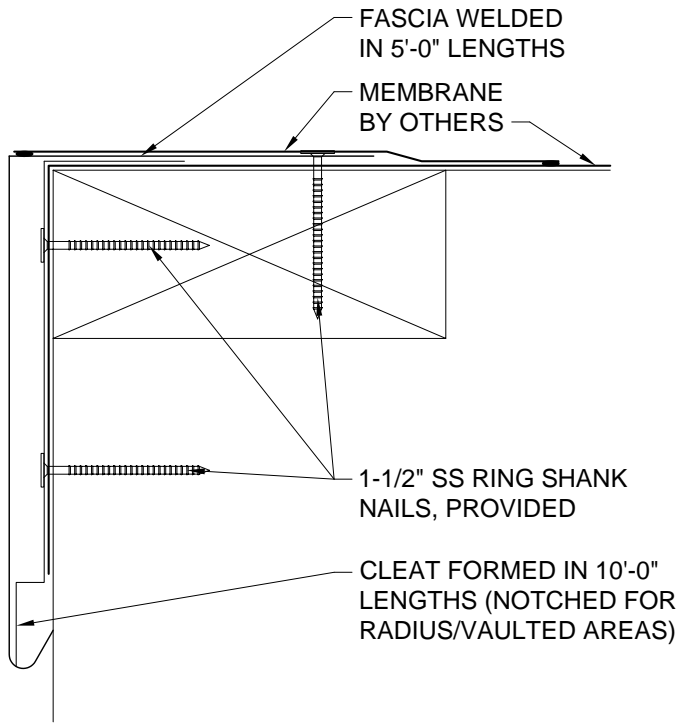
0.063 prefinished Kynar® is only available in Statuary Bronze, Medium Bronze, Sandstone, Dove Gray, Ascot White, Forest Green & Bone White

<b>APPROVALS</b> (Contact manufacturer for verification of test report data on your project)  <div style="border: 1px solid black; padding: 2px; display: inline-block;">ANSI/SPRI ES-1 TESTED</div> <div style="text-align: center; margin-left: 20px;">   <b>Approved</b> </div>	<b>CUSTOMER APPROVAL</b> <input type="checkbox"/> Approved for Fabrication <input type="checkbox"/> Approved with Changes <input type="checkbox"/> Disapproved, Resubmit  <div style="text-align: right;">             _____              Authorized Customer Signature              Title _____ Date _____           </div>	
	<b>Job Name:</b> _____	<b>Customer:</b> _____
<b>Job #:</b> _____	<b>Representative:</b> _____	<b>Date:</b> _____
<b>Location:</b> _____	<b>Architect:</b> _____	<b>Sheet</b> _____ <b>of</b> _____

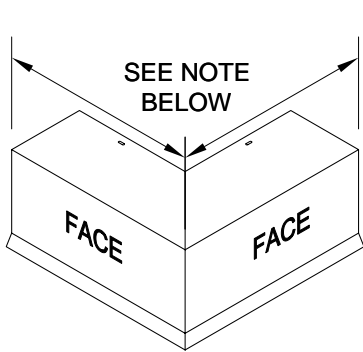
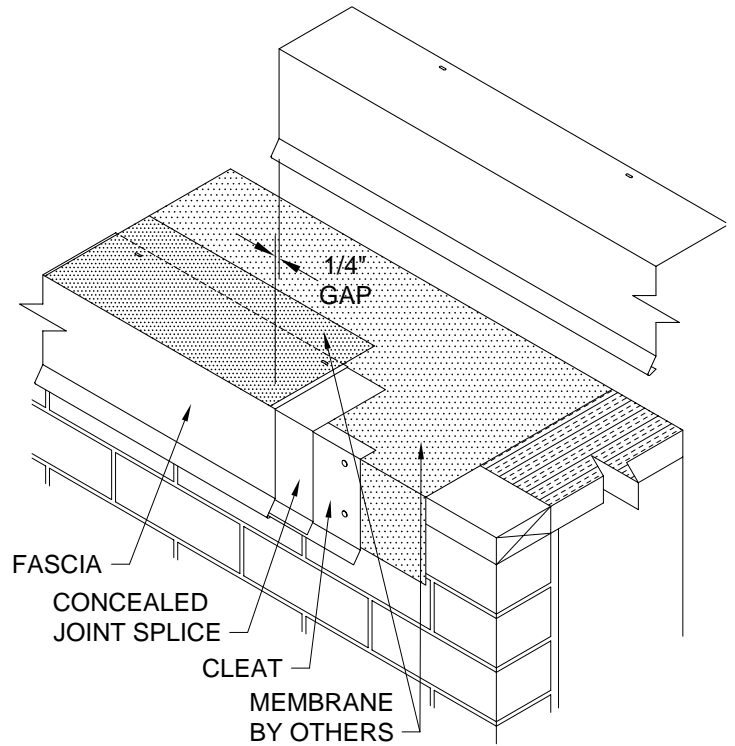
CARLISLE SYNTEC INCORPORATED

P.O. BOX 7000 - CARLISLE, PA 17013 - Phone: (800) FOR-SYNTEC - Fax: (717) 245-7245

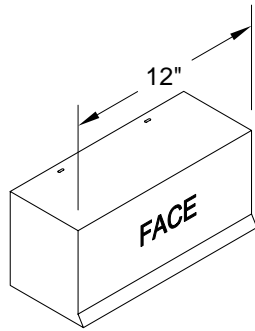
# Sure-Seal Drip Edge



**VAULTED DRIP EDGE PROFILE**

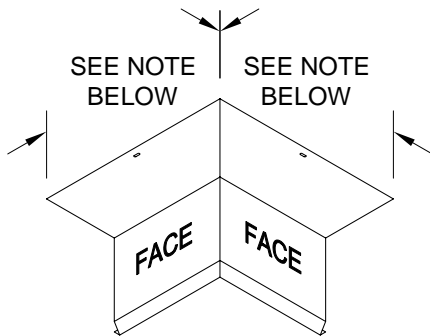


**OUTSIDE MITER**



**END CAP**

LEFT HAND SHOWN



**INSIDE MITER**

Standard fascia miter leg lengths: 24" nominal

Standard fascia miter angle is 90°

For special miter requirements, attach sketches or consult manufacturer for assistance.