



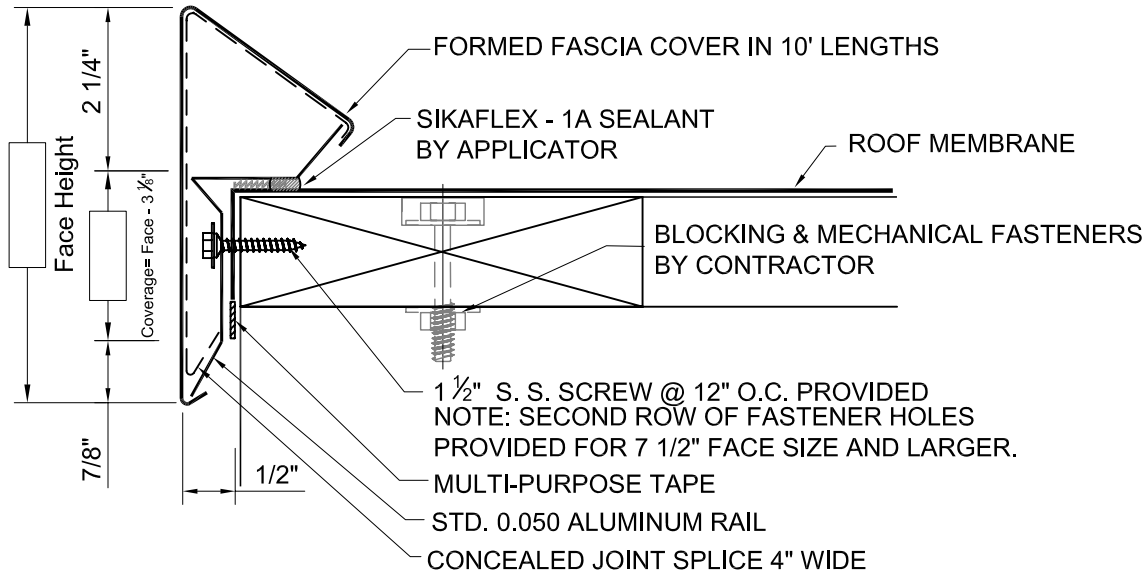
Edge Grip Fascia Ballasted Order /Specification Form

(For Ballasted Single-Ply Roofing)

Factory Mutual Approved*

ANSI/SPRI ES-1 Tested*

* Please contact manufacturer for verification of test report data on your specific project

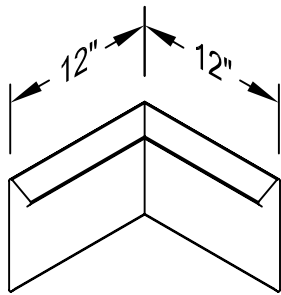
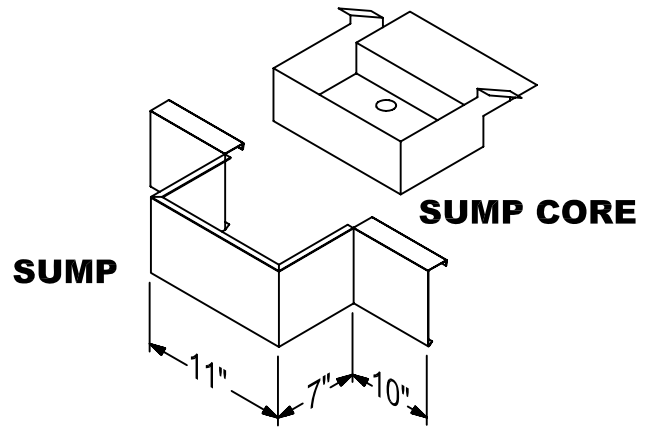


Note: Coordinate Installation with Sika Sarnafil

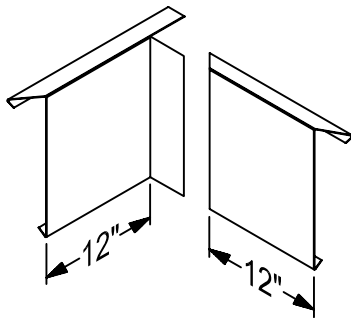
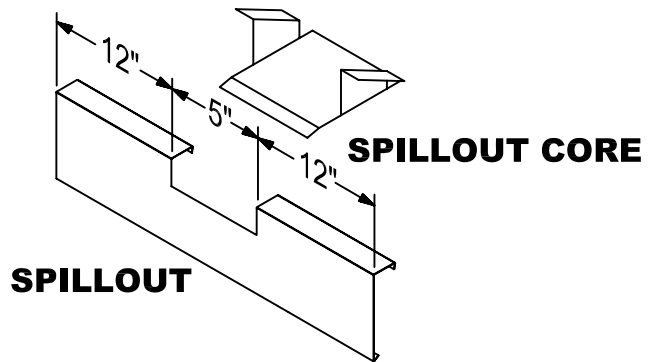
DETAIL:	ARCHITECTURAL REF:	DESCRIPTION:		
QUANTITY, THIS DETAIL _____ TOTAL LF _____ OUTSIDE CORNERS _____ INSIDE CORNERS _____ SPECIAL CORNERS (attach sketches) _____ END CAP - L _____ END CAP - R _____ SPILLOUT _____ SUMP _____ RADIUS LF _____ RADIUS CORNERS (attach sketches)		MATERIAL <input type="checkbox"/> ALUMINUM <input type="checkbox"/> GALVANIZED <input type="checkbox"/> STAINLESS STEEL <input type="checkbox"/> _____ THICKNESS <input type="checkbox"/> .032 <input type="checkbox"/> .040 <input type="checkbox"/> .050 <input type="checkbox"/> .063 <input type="checkbox"/> 24 GA <input type="checkbox"/> _____	ACCESSORY TYPE <input type="checkbox"/> FOLDED CORNER WELDED CORNERS ARE NOT AVAILABLE FOR TERMINEDGE RETAINER OPTIONS <input type="checkbox"/> .050 ALUMINUM (STD.) <input type="checkbox"/> 20 GA GALV. (OPTIONAL)	FINISH <input type="checkbox"/> MILL FINISH <input type="checkbox"/> PREFINISHED KYNAR <input type="checkbox"/> POST FINISHED KYNAR <input type="checkbox"/> PREFINISHED ANODIZE <input type="checkbox"/> POST FINISHED ANODIZE <input type="checkbox"/> _____ .063 PREFINISHED KYNAR IS ONLY AVAILABLE IN 7 STD. COLORS. COLOR _____
Transmittal <input type="checkbox"/> REQUEST FOR QUOTATION <input type="checkbox"/> SUBMIT FOR APPROVAL <input type="checkbox"/> REQUEST FOR INFORMATION <input type="checkbox"/> CONFIRMING TELECONFERENCE <input type="checkbox"/> FOR YOUR FILES By _____ Date _____		Customer Approval <input type="checkbox"/> APPROVED FOR FABRICATION <input type="checkbox"/> APPROVED AS NOTED <input type="checkbox"/> AMEND & RESUBMIT _____ Authorized Customer Signature _____ Title _____ Date _____		
Job Name		Job #		
Location		Sheet of		
Customer		By		
Representative		Date		
Architect				

Edge Grip Fascia Ballasted

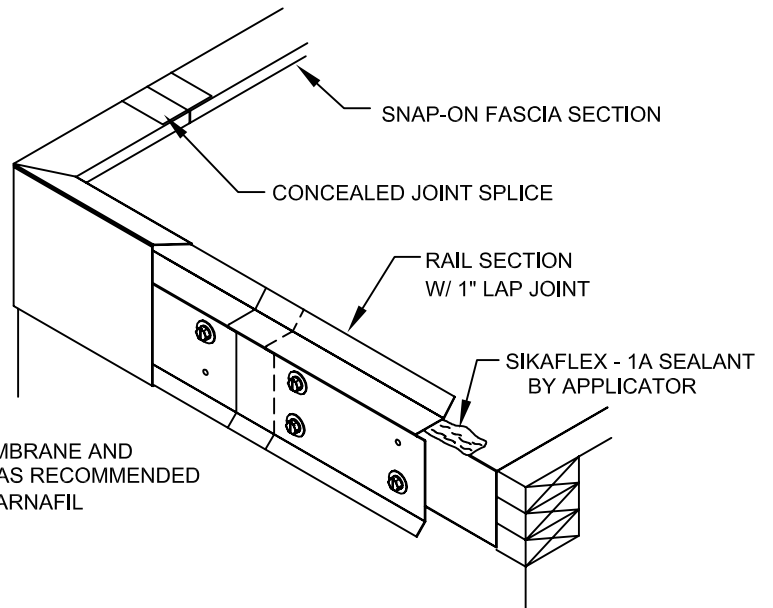
Fascia Model	Face Height in.	Coverage in.	Rail Gauge B&S
EGB-525	5 1/4	2 1/8	20
EGB-675	6 3/4	3 5/8	20
EGB-825	8 1/4	5 1/8	20
MIN.	4 5/8	1 1/2	20
MAX.	13	9 7/8	20



STD. OUTSIDE CORNER



STD. INSIDE CORNER



ROOF MEMBRANE AND SEALANT AS RECOMMENDED BY SIKA SARNAFIL

NOTE: VERIFY ALL INSTALLATION DETAILS FOR ACCEPTANCE BY SIKA SARNAFIL

STANDARD FASCIA CORNERS ARE 90° - 12" X 12".
STANDARD END CAPS ARE 24" LONG.

FOR SPECIAL CORNER REQUIREMENTS,
ATTACH SKETCHES OR CONSULT SIKA SARNAFIL
FOR ASSISTANCE.

MINIMUM AND MAXIMUM SIZES ARE INDICATED.
INTERMEDIATE SIZES MAY BE SPECIFIED WITHIN
THESE RANGES. CONSULT SIKA SARNAFIL FOR
REQUIREMENTS NOT WITHIN THESE RANGES.
WHEN FACE SIZE EXCEEDS 7 1/2", ADDITIONAL
FASTENERS ARE REQUIRED ON FACE OF RAIL.



Sika Sarnafil
100 Dan Road
Canton, MA 02021
Phone (781) 828-5400 · Fax (781) 828-5365