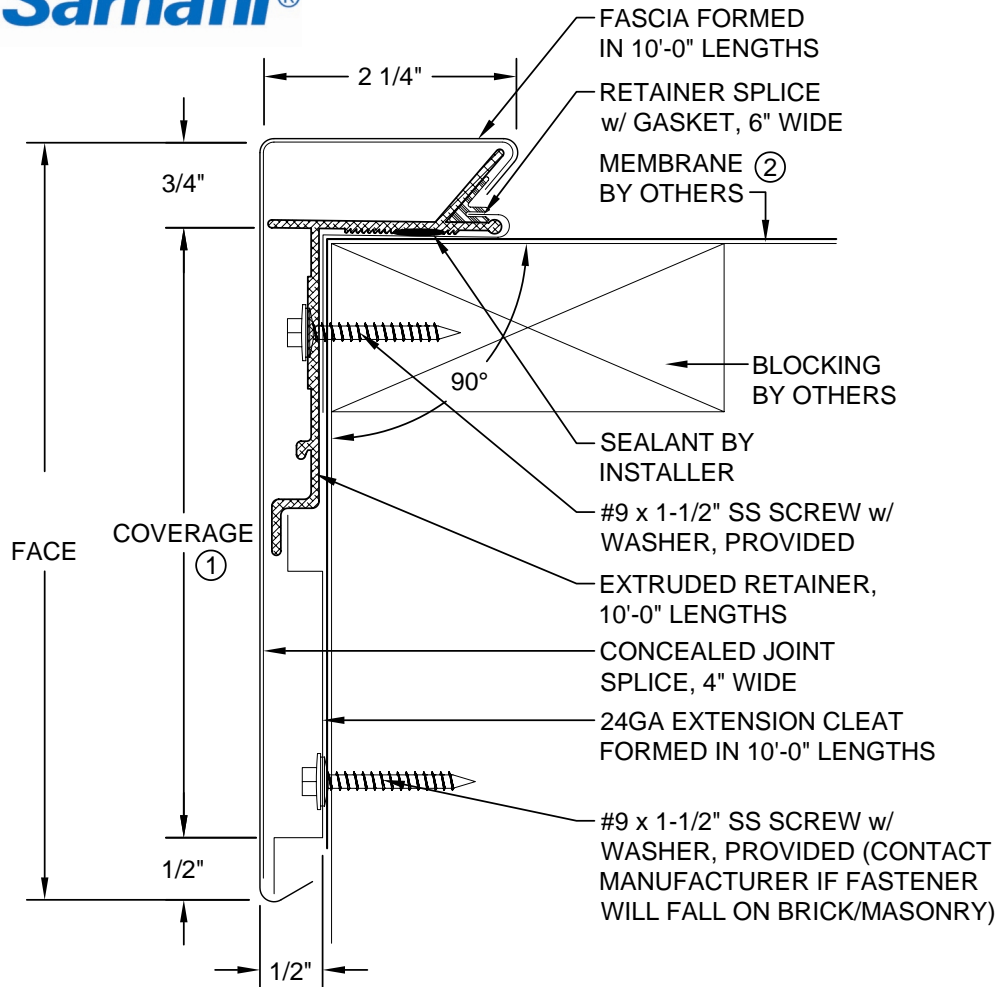




# EdgeGrip Extruded Fascia

ORDER / SPECIFICATION FORM  
(Custom Sizes For Single-Ply Membrane)



- ① Face = Coverage (should extend a min. of 1" below water resistant wall surface)+1 1/4".
- ② Coordinate installation with membrane manufacturer.

**QUANTITY**

- \_\_\_\_\_ Total LF (10'-0" pcs)
- \_\_\_\_\_ Miters (\_\_\_ Outside, \_\_\_ Inside)
- \_\_\_\_\_ End Caps (\_\_\_ Left, \_\_\_ Right)
- \_\_\_\_\_ End Terms (\_\_\_ Left, \_\_\_ Right)
- \_\_\_\_\_ Radius LF (Notched - 10'-0" pcs)
- \_\_\_\_\_ Vaulted LF (Welded - 5'-0" pcs)
- \_\_\_\_\_ Sumps
- \_\_\_\_\_ Spill Outs
- \_\_\_\_\_ Special Corners (Attach Sketches)

MATERIAL	THICKNESS	ACCESSORY TYPE	FINISH
<input type="checkbox"/> Aluminum	<input type="checkbox"/> 0.040	<input type="checkbox"/> Folded	<input type="checkbox"/> Mill Finish
<input type="checkbox"/> Galvanized	<input type="checkbox"/> 0.050		<input type="checkbox"/> Prefinished Kynar
<input type="checkbox"/> Stainless Steel	<input type="checkbox"/> 0.063		<input type="checkbox"/> Post Finished Kynar
<input type="checkbox"/> _____	<input type="checkbox"/> 24GA		<input type="checkbox"/> Prefinished Anodize
	<input type="checkbox"/> 22GA		<input type="checkbox"/> Post Finished Anodize
	<input type="checkbox"/> _____		<input type="checkbox"/> _____

**COLOR**

0.063 prefinished Kynar® is only available in Statuary Bronze, Medium Bronze, Sandstone, Dove Gray, Ascot White, Forest Green & Bone White

**APPROVALS** (Contact manufacturer for verification of test report data on your project)



**CUSTOMER APPROVAL**

- Approved for Fabrication
- Approved with Changes
- Disapproved, Resubmit

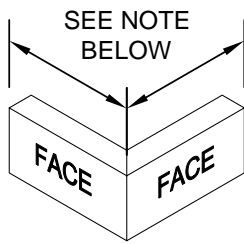
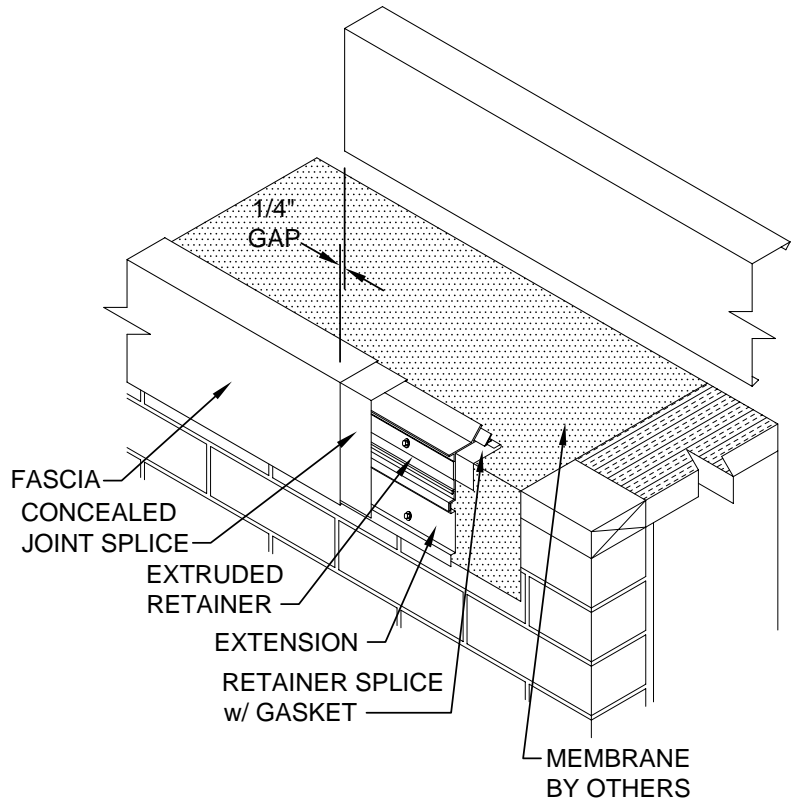
\_\_\_\_\_  
Authorized Customer Signature

\_\_\_\_\_  
Title Date

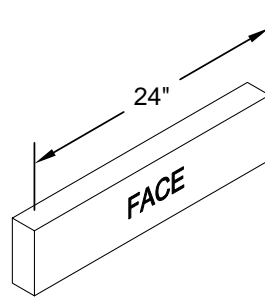
Job Name:	Customer:	By:
Job #:	Representative:	Date:
Location:	Architect:	Sheet of

SIKA SARNAFIL

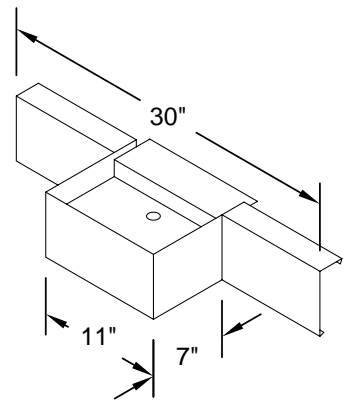
# EdgeGrip Extruded Fascia



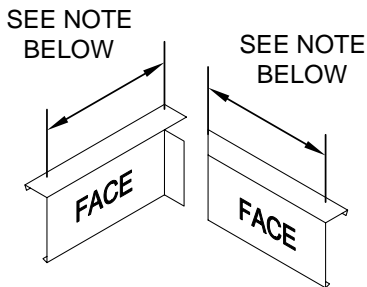
**OUTSIDE MITER**



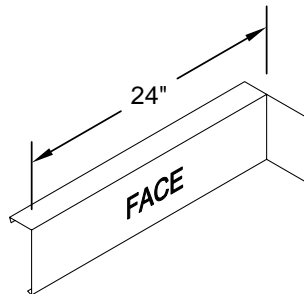
**END CAP**  
LEFT HAND SHOWN



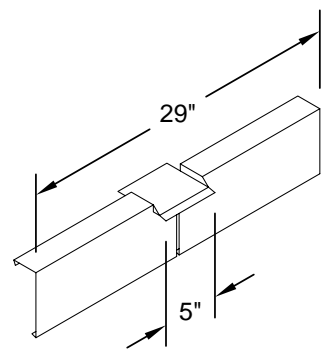
**SUMP**  
2 PIECE ASSEMBLY



**INSIDE MITER**  
2 PIECE ASSEMBLY



**END TERM**  
RIGHT HAND SHOWN



**SPILLOUT**  
3 PIECE ASSEMBLY

Standard fascia miter leg lengths: 12" nominal

Standard fascia miter angle is 90°

For special miter requirements, attach sketches or consult manufacturer for assistance.