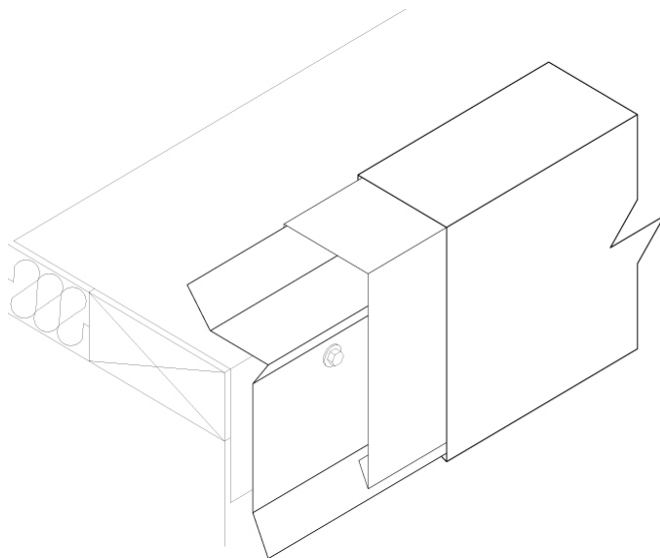


Product Data Sheet

Edition: 5/2010

Version no.: 0001

Edge Grip Fascia



Overview:	Edge Grip Fascia is a low profile retainer bar and fascia assembly used with either an adhered or mechanically attached Sika Sarnafil Roof System, which clamps the roof membrane against the building to help prevent leaks and blow-offs.
Composition:	Edge Grip Fascia is a two part assembly with a rigid terminator base plate and decorative snap on fascia cover. The fascia will be formed aluminum, .032" (0.80 mm), .040" (1.00 mm), .050" (1.25 mm) or .063" (1.60 mm) or 24 ga. Kynar 500 coated galvanized steel and with concealed splices plates. Retainer base plate will be 20 guage galvanized steel with 9/23" pre-punched holes for fasteners at 12" (304.8 mm) on center in 10' - 0" (304.8 mm) standard lengths. (optional retainer: .050" aluminum)
Features:	Edge-Grip's unique design provides labor savings during installation, aesthetic appeal, high corrosion resistance and strong wind resistance.
Packaging:	The entire Edge-Grip's assembly is packaged in job specific crates to provide maximum protection during transportation.
Installation:	Position the Sarnafil membrane (non-feltbacked) over the roof edge and down outside face of wall, covering treated wood nailer(s) completely. The edge of the membrane should extend over the face of the building approx. 3" (76.2 mm) and be secured with the retainer bar. Hot-air weld all seams making sure there are no voids in welds. Make sure the retainer bar is clean and free of dirt or dust. Apply a 3/8 in. (10 mm) bead of multi-purpose sealant to the intersection of the right angle on the bar. Install bar from right to left as seen from rooftop lapping joints 1 in. (25 mm). Fasten bar 12 in. (305 mm) o.c. through slots using fasteners provided. Field cut sections as necessary. Install joint covers between each fascia section. Hook the joint cover from the top and allow it to hang down the face of the retainer. Do not hook on the drip. Install fascia by hooking the back flange over the top of the retainer. Leave a 1/4" gap for thermal movement.

**Sarnafil®**

Availability: Edge-Grip is available directly from Sika Sarnafil Authorized Applicators when used within Sika Sarnafil Roof Systems. Contact your Sika Sarnafil Regional Office or visit our website for further information.

Warranty: As a Sika Sarnafil-supplied accessory, Edge-Grip is included in Sika Sarnafil's Standard or System Warranty to the Building Owner.

Maintenance: Edge-Grip requires no maintenance.

Technical: Sika Sarnafil provides technical support. Technical staff is available to advise applicators as to the correct installation method of Edge-Grip.

Technical Data:	<u>Face Heights</u>	<u>Lengths</u>
	3.75 in. (95 mm)	10 ft. (3048 mm)
	5.25 in. (133 mm)	10 ft. (3048 mm)
	6.75 in. (171 mm)	10 ft. (3048 mm)
	8 in. (203 mm)	10 ft. (3048 mm)

Corporate Office
Sika Sarnafil
A Division of Sika Corporation
100 Dan Road
Canton, MA 02021

Tel.: (781) 828-5400
1-800-451-2504

Fax: (781) 828-5365

Web: www.sikacorp.com

Email: webmaster.sarnafil@us.sika.com

Canada Office
Sika Sarnafil
A Business Unit of Sika Canada
6820 Davand Drive
Mississauga, ON L5T 1J5

Tel.: (905) 670-2222
1-800-268-0479

Fax: (905) 670-5278

Web: www.sika.ca

Disclaimer: *The information, and, in particular, the recommendation relating to the application and end-use of Sika Sarnafil products, are given in good faith based on Sika Sarnafil's current knowledge and experience of the products when properly stored, handled and applied under normal conditions in accordance with Sika Sarnafil recommendations. In practice, the differences in materials, substrates and actual site conditions are such that **no warranty in respect of merchantability of fitness for a particular purpose, nor any liability arising out of any legal relationship whatsoever, may be inferred from this information.** The user of the product must determine the product's suitability for the intended application and purpose. Sika Sarnafil reserves the right to change the properties of its products. The proprietary rights of third parties must be observed. All orders are accepted subject to our current terms of sale and delivery. Users must always refer to the most recent issue of the local Product Data Sheet for the product concerned, copies of which will be supplied on request.*