



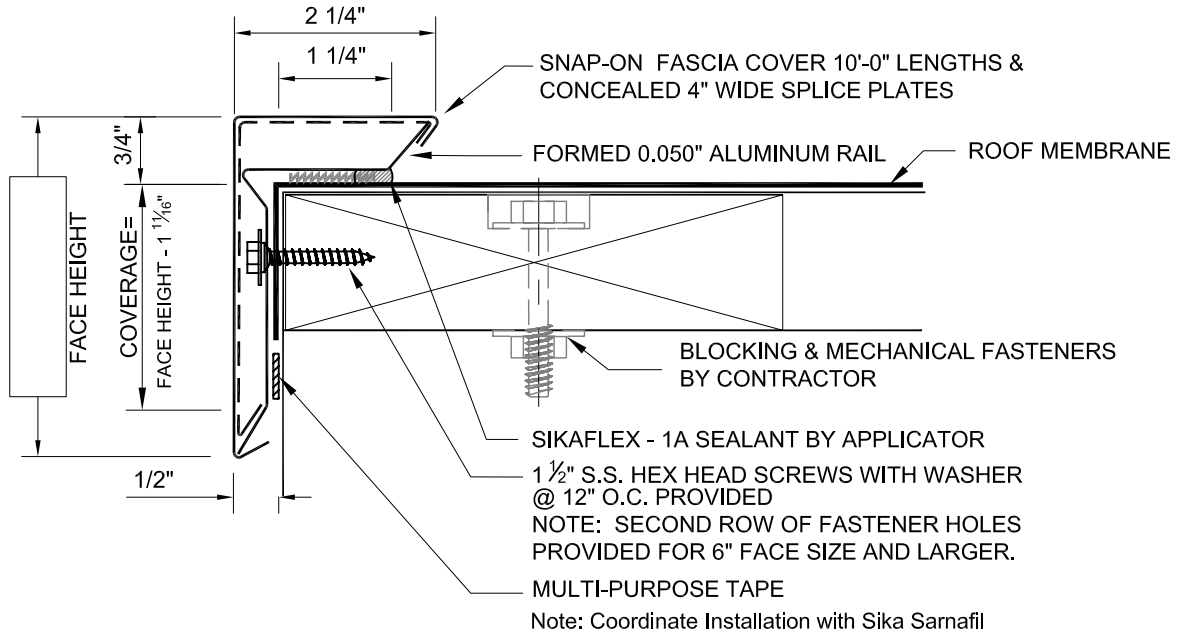
Sarnafil®

**Edge Grip Fascia
Order /Specification Form**

Factory Mutual Approved*

ANSI/SPRI ES-1 Tested*

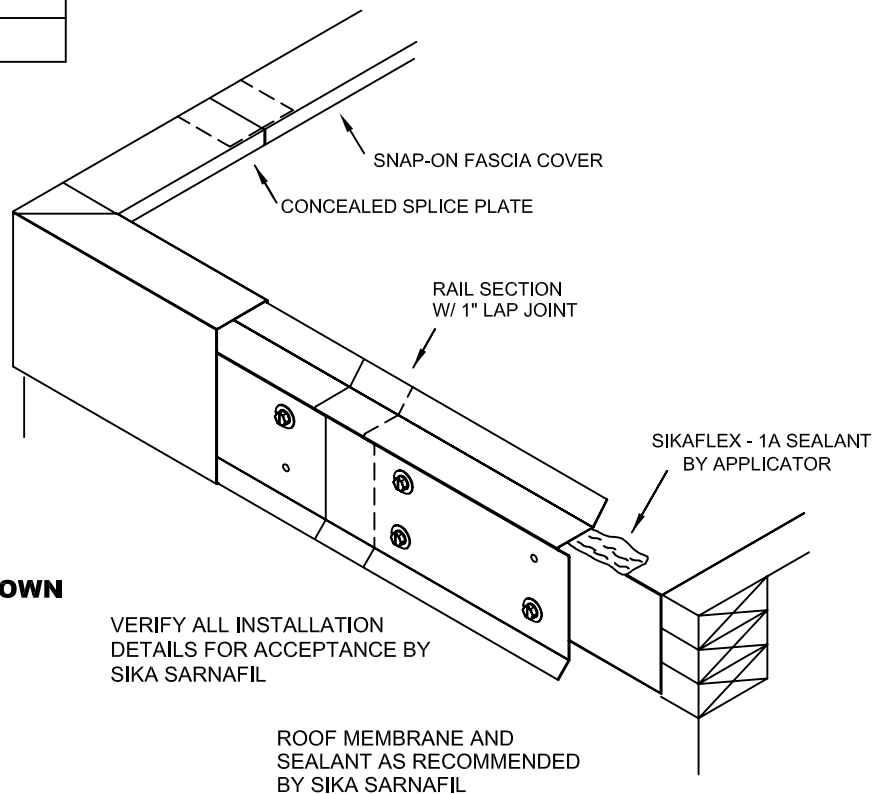
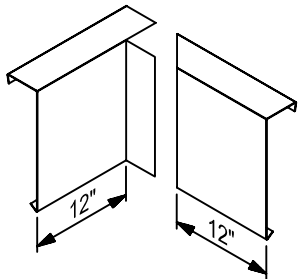
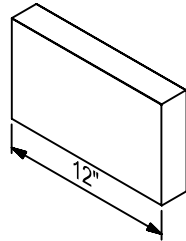
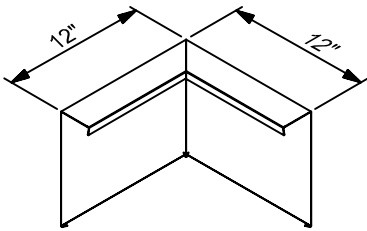
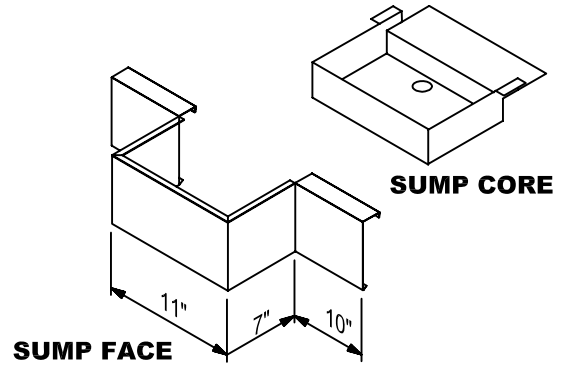
* Please contact manufacturer for verification of test report data on your specific project



DETAIL:	ARCHITECTURAL REF:	DESCRIPTION:		
QUANTITY, THIS DETAIL _____ TOTAL LF _____ OUTSIDE CORNERS _____ INSIDE CORNERS _____ SPECIAL CORNERS (attach sketches) _____ END CAP - L _____ END CAP - R _____ SPILLOUT _____ SUMP _____ *RADIUS LF _____ RADIUS CORNERS (attach sketches) <small>* POST PAINTED RADIUS PIECES MUST BE WELDED AND ARE THEREFORE 58" LONG. PREFINISHED RADIUS WILL BE NOTCHED AND BE SUPPLIED IN 10'-0" LENGTHS.</small>		MATERIAL <input type="checkbox"/> ALUMINUM <input type="checkbox"/> GALVANIZED <input type="checkbox"/> STAINLESS STEEL <input type="checkbox"/> _____ THICKNESS <input type="checkbox"/> .040 <input type="checkbox"/> .050 <input type="checkbox"/> .063 <input type="checkbox"/> 24 GA <input type="checkbox"/> _____	ACCESSORY TYPE <input type="checkbox"/> FOLDED * WELDED CORNERS ARE NOT AVAILABLE FOR THIS PRODUCT RAIL OPTIONS <input type="checkbox"/> .050 ALUMINUM (STD.) <input type="checkbox"/> 20 GA GALV. (OPTIONAL)	FINISH <input type="checkbox"/> MILL FINISH <input type="checkbox"/> PREFINISHED KYNAR <input type="checkbox"/> POST FINISHED KYNAR <input type="checkbox"/> PREFINISHED ANODIZE <input type="checkbox"/> POST FINISHED ANODIZE <input type="checkbox"/> _____ .063 PREFINISHED KYNAR IS ONLY AVAILABLE IN 7 STD. COLORS. COLOR _____
Transmittal <input type="checkbox"/> REQUEST FOR QUOTATION <input type="checkbox"/> SUBMIT FOR APPROVAL <input type="checkbox"/> REQUEST FOR INFORMATION <input type="checkbox"/> CONFIRMING TELECONFERENCE <input type="checkbox"/> FOR YOUR FILES By _____ Date _____		Customer Approval <input type="checkbox"/> APPROVED FOR FABRICATION <input type="checkbox"/> APPROVED AS NOTED <input type="checkbox"/> AMEND & RESUBMIT <hr/> Authorized Customer Signature <hr/> Title _____ Date _____		
Job Name		Job #		
Location		Sheet of		
Customer		By		
Representative		Date		
Architect				

Edge Grip Fascia

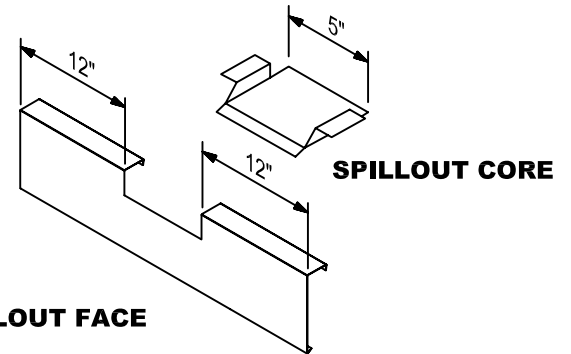
Fascia Model	Face Height	Coverage	Rail Gauge
	in.	in.	B&S
EG-375	3 3/4	2 1/16	20
EG-525	5 1/4	3 9/16	20
EG-675	6 3/4	5 1/16	20
MIN.	3 3/4	2 1/16	20
MAX.	13	11 5/16	20



STANDARD FASCIA CORNERS ARE 90° - 12" X 12".
STANDARD END CAPS ARE 12" LONG.

FOR SPECIAL CORNER REQUIREMENTS,
ATTACH SKETCHES OR CONSULT SIKA
SARNAFIL FOR ASSISTANCE.

MINIMUM AND MAXIMUM SIZES ARE INDICATED.
INTERMEDIATE SIZES MAY BE SPECIFIED
WITHIN THESE RANGES. CONSULT SIKA
SARNAFIL FOR REQUIREMENTS NOT WITHIN
THESE RANGES. WHEN FACE SIZE EXCEEDS 6",
ADDITIONAL FASTENERS ARE REQUIRED ON
FACE OF RAIL.



Sarnafil®

Sika Sarnafil
100 Dan Road
Canton, MA 02021
Phone (781) 828-5400 • Fax (781) 828-5365