



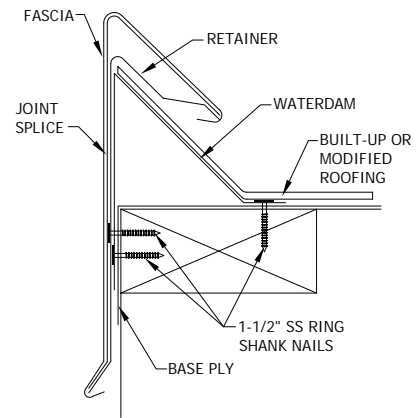
DERBIGUM®

MAKING BUILDINGS SMART

Installation Guide for Perlok 90 Fascia



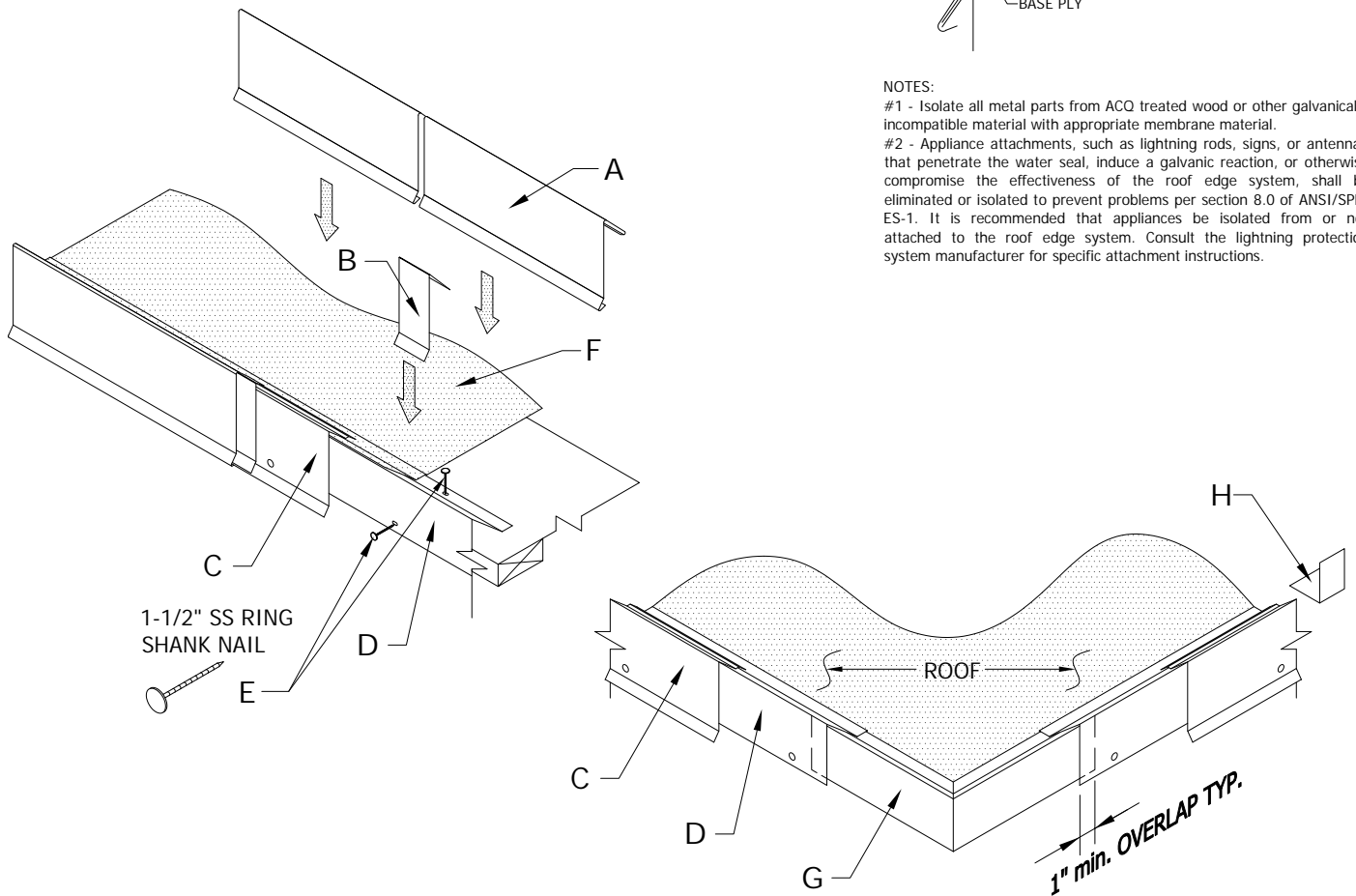
ANSI/SPRI ES-1 TESTED



NOTES:

#1 - Isolate all metal parts from ACQ treated wood or other galvanically incompatible material with appropriate membrane material.

#2 - Appliance attachments, such as lightning rods, signs, or antennae that penetrate the water seal, induce a galvanic reaction, or otherwise compromise the effectiveness of the roof edge system, shall be eliminated or isolated to prevent problems per section 8.0 of ANSI/SPRI ES-1. It is recommended that appliances be isolated from or not attached to the roof edge system. Consult the lightning protection system manufacturer for specific attachment instructions.



- A. Formed Fascia Cover
10'-0" Lengths
- B. Concealed Joint Splice
4" Lengths
- C. Formed Galvanized Retainer
10'-0" Lengths
- D. Formed Galvanized Water-Dam
10'-0" Lengths

- E. 1-1/2" SS Ring Shank Nail
at 12"o.c. (6" from ends)
(Provided & Required by Manufacturer)
- F. Built-up or Modified Roofing
(By Installer)
- G. Corner Support (Outside)
At All Inside and Outside Corners
- H. Leveling Angle
Sets Proper Height for Water-Dam

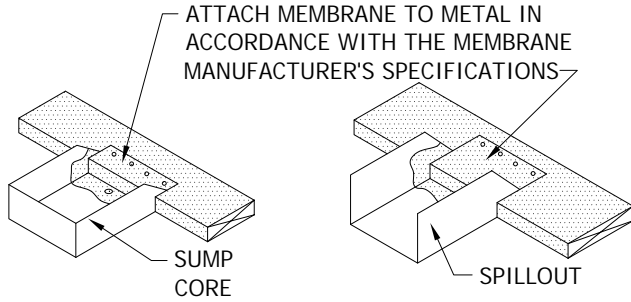
DERBIGUM Performance Roof Systems

4800 Blue Parkway - Kansas City, MO. 64130 - Phone: (800) 727-9872 - Fax: (816) 921-5007

Email: info@derbigum.com - www.derbigum.com

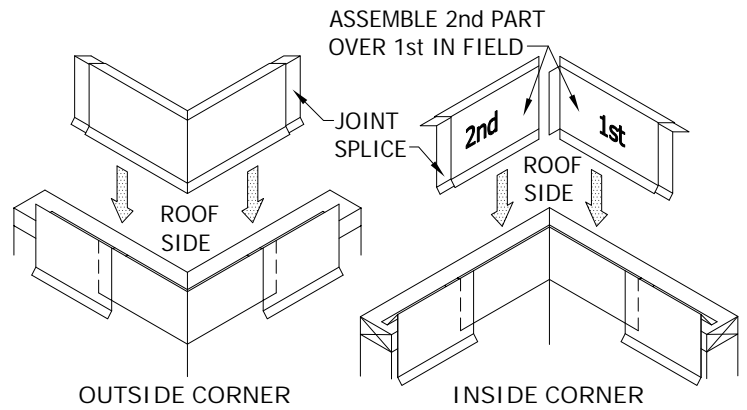


DERBIGUM®
MAKING BUILDINGS SMART



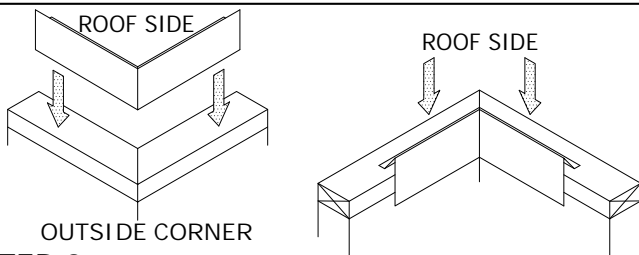
STEP 1: Consider Sump Core & Spillover Locations

Locate sump cores where downspouts will be located. Sumps and spillovers are installed prior to the water-dam. The water-dam sections will install over the ears welded onto the sump and spillover core. Refer to "Spillover & Sump Core Install Guides" for more info on installation if necessary.



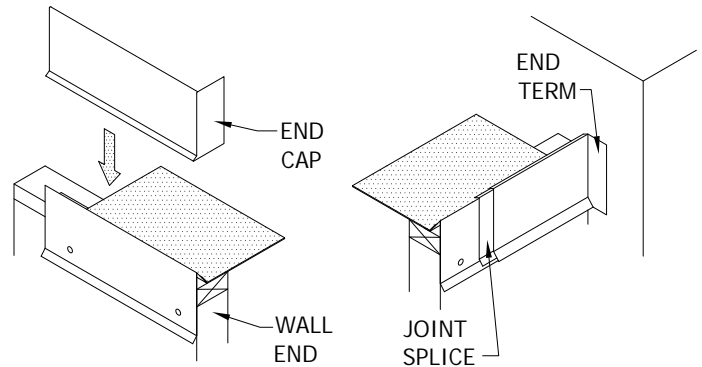
STEP 5: Installing Fascia Miters

Locate the miters and concealed joint splices for the appropriate corners. Place a concealed joint splice in each end of the miter sections. Install the miter by pressing downward on the top flange until fascia cover has snapped over the drip of the retainer and the back flange of the retainer. Ensure that both the drip flange and the back flange are fully engaged.



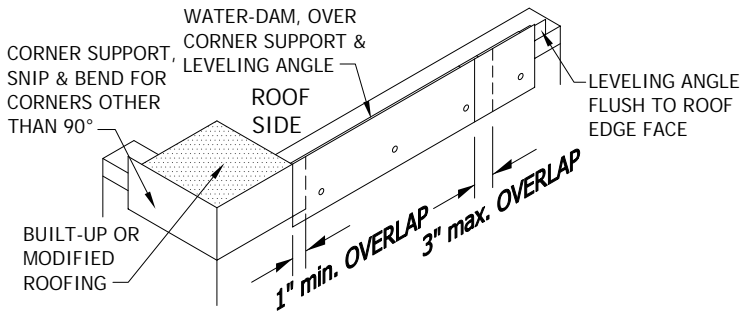
STEP 2: Corner Supports

Locate water-dam corner supports at each corner location and fasten in place using 1-1/2" ss ring shank nails provided.



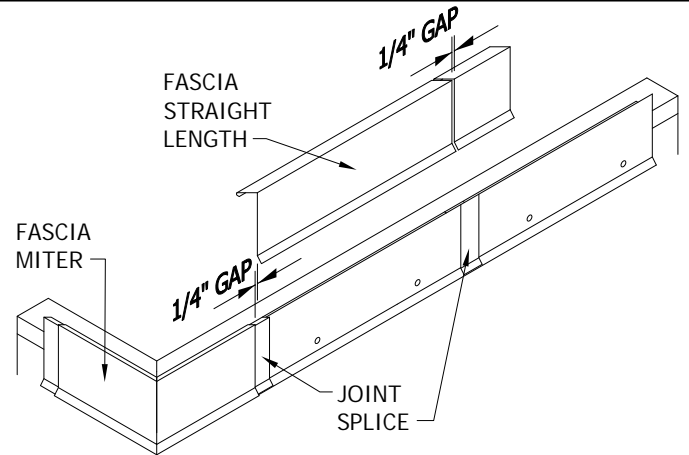
STEP 6: Installing Fascia End Caps and End Terms

Install the fascia end caps and end terms by pressing downward on the top flange until fascia cover has snapped over the drip bend of the retainer and the back flange of the retainer. Ensure that both the drip flange and the back flange are fully engaged.



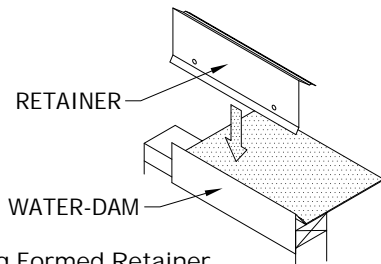
STEP 3: Water-Dam & Built-Up or Modified Roofing

Install water-dam sections by overlapping the water-dam corner support by 1" min. and place a water-dam leveling angle under the opposite end. Fasten in place using 1-1/2" ss ring shank nails provided in each pre-punched holes. Water-dam should be installed from the corners working towards the center. Water-dam sections should overlap each other 3" max. Do not fasten water-dam through laps. Adhere the built-up or modified roofing to the cant side of the water-dam per roofing material manufacturer's instructions.



STEP 7: Installing Fascia Straight Lengths

Place a concealed joint splice in the opposite end of the installed miter or end cap. Install the fascia by pressing downward on the top flange until fascia cover has snapped over the drip of the retainer and the back flange of the retainer. Ensure that both the drip flange and the back flange are fully engaged. Allow a 1/4" gap between fascia sections for thermal expansion. Lengths of all straight pieces should be considered prior to cutting to avoid creating relatively short sections of fascia adjacent to full length sections. Note: there should be a joint splice at every joint.



STEP 4: Installing Formed Retainer

After the roofing ply has been adhered to the water-dam, install the retainer. Starting at the corner locations and working towards the center, fasten the retainer through each pre-punched holes using 1-1/2" ss ring shank nails provided. Retainer sections to be lapped 3".