



SOPREMA, INC.

**Soprabond Fascia Type G
Order/Specification Form**

(For Built-up or Modified Roofs)

ANSI/SPRI ES-1 Tested*

* Please contact manufacturer for verification of test report data on your specific project

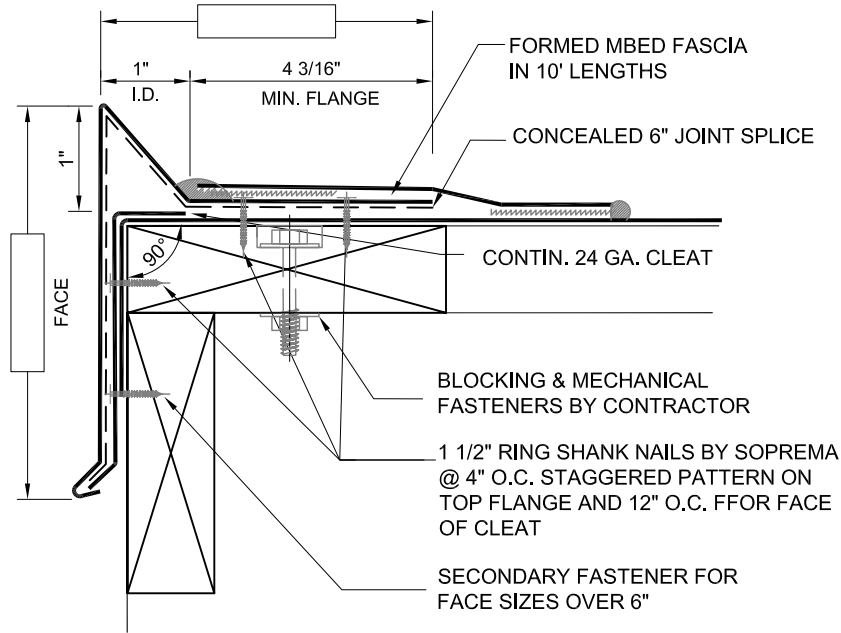
310 Quadral Drive

• Wadsworth, OH 44281

• Ph.: (330)-334-0066

• (800)-356-3521

• Fax: (330)-334-4289



DETAIL:	ARCHITECTURAL REF:	DESCRIPTION:		
QUANTITY, THIS DETAIL _____ TOTAL LF _____ OUTSIDE CORNERS _____ INSIDE CORNERS _____ SPECIAL CORNERS (attach sketches) _____ END CAP - L _____ END CAP - R _____ END TERM - L _____ END TERM - R		MATERIAL <input type="checkbox"/> ALUMINUM <input type="checkbox"/> GALVANIZED <input type="checkbox"/> STAINLESS STEEL <input type="checkbox"/> _____ THICKNESS <input type="checkbox"/> .032 <input type="checkbox"/> .040 <input type="checkbox"/> .050 <input type="checkbox"/> .063 <input type="checkbox"/> 24 GA <input type="checkbox"/> _____	ACCESSORY TYPE <input type="checkbox"/> WELDED <input type="checkbox"/> FOLDED * IF ACCESSORY TYPE IS NOT CHECKED, WE WILL ASSUME "METAL-LOCK"	FINISH <input type="checkbox"/> MILL FINISH <input type="checkbox"/> PREFINISHED KYNAR <input type="checkbox"/> POST FINISHED KYNAR <input type="checkbox"/> PREFINISHED ANODIZE <input type="checkbox"/> POST FINISHED ANODIZE <input type="checkbox"/> _____ .063 PREFINISHED KYNAR IS ONLY AVAILABLE IN 7 STD. COLORS. COLOR _____

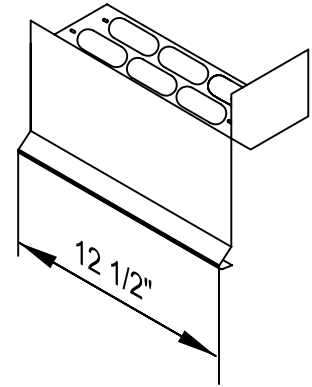
Transmittal <input type="checkbox"/> REQUEST FOR QUOTATION <input type="checkbox"/> SUBMIT FOR APPROVAL <input type="checkbox"/> REQUEST FOR INFORMATION <input type="checkbox"/> CONFIRMING TELECONFERENCE <input type="checkbox"/> FOR YOUR FILES By _____ Date _____	Customer Approval <input type="checkbox"/> APPROVED FOR FABRICATION <input type="checkbox"/> APPROVED AS NOTED <input type="checkbox"/> AMEND & RESUBMIT _____ Authorized Customer Signature _____ Title _____ Date _____
--	--

Job Name	Job #
Location	Sheet of
Customer	By
Representative	Date
Architect	

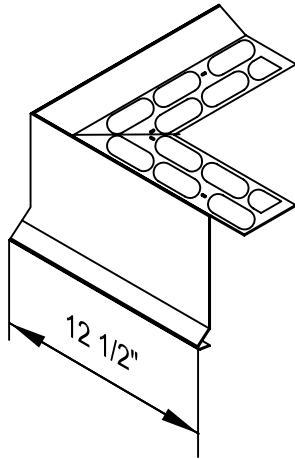
Soprabond Fascia Type G

MODEL #	FACE IN.	ROOF FLANGE IN.	CANT HEIGHT IN.	CANT WIDTH IN.	COVERAGE IN.
MBED-G400	4	5 3/16	1	1	2 1/2"
MBED-G550	5 1/2	5 3/16	1	1	4"
MBED-G700	7	5 3/16	1	1	5 1/2"

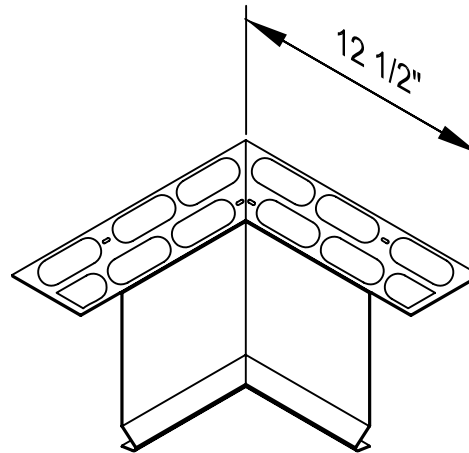
NON-STANDARD SIZES AVAILABLE UPON REQUEST



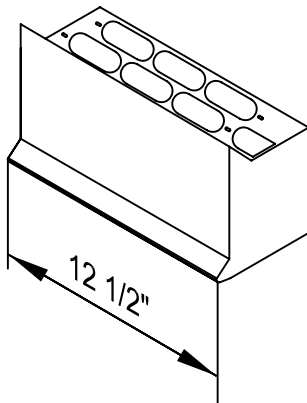
**STANDARD ENDTERM
RIGHT HAND SHOWN**



TANDARD OUTSIDE CORNER



STANDARD INSIDE CORNER

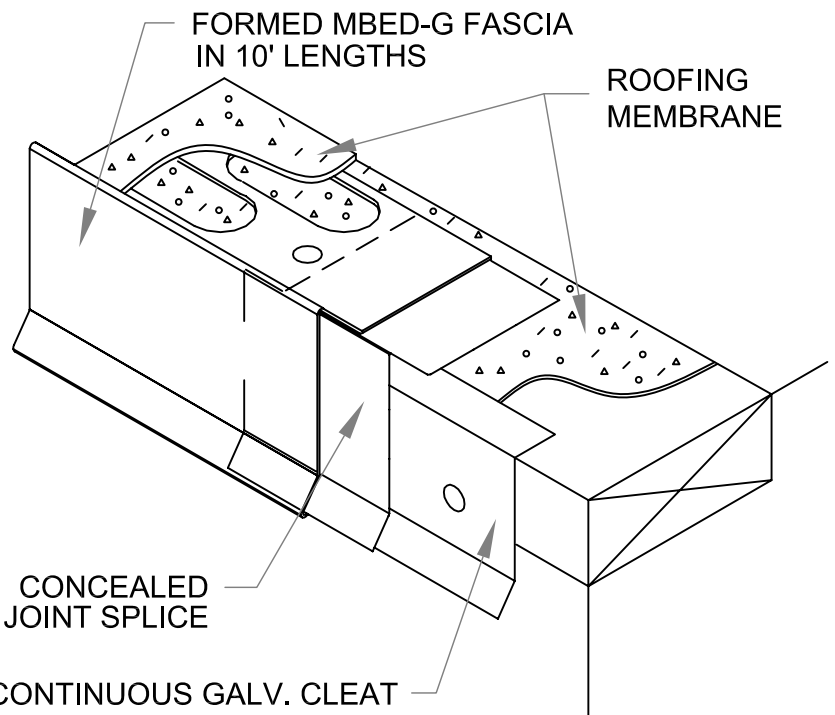


**STANDARD ENDCAP
RIGHT HAND SHOWN**

STANDARD FASCIA CORNERS ARE 90° - 12 1/2" X 12 1/2". STANDARD END CAPS ARE 12 1/2" LONG.

FOR SPECIAL CORNER REQUIREMENTS, ATTACH SKETCHES OR CONSULT MFR. FOR ASSISTANCE.

MINIMUM AND MAXIMUM SIZES ARE INDICATED. INTERMEDIATE SIZES MAY BE SPECIFIED WITHIN THESE RANGES. CONSULT MFR. FOR REQUIREMENTS NOT WITHIN THESE RANGES. WHEN FACE SIZE EXCEEDS 6", ADDITIONAL FASTENERS ARE REQUIRED ON FACE OF CLEAT.



CONCEALED JOINT SPLICE
CONTINUOUS GALV. CLEAT



SOPREMA, INC.