



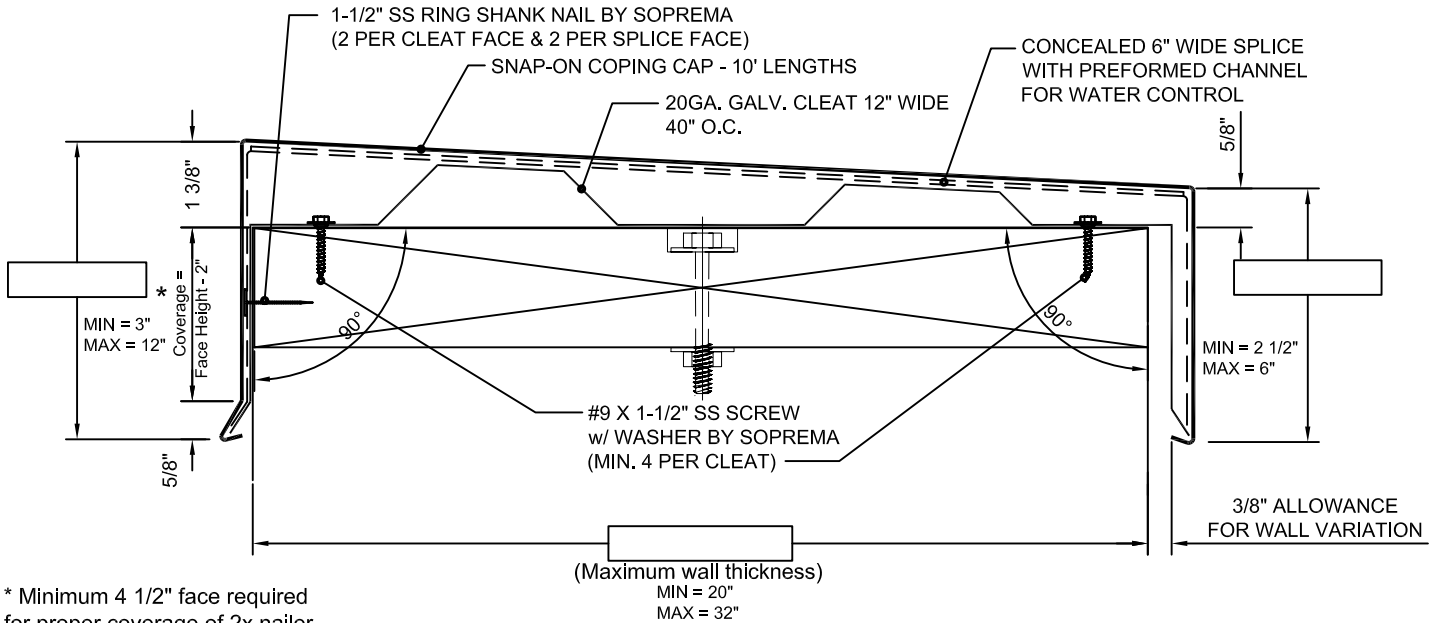
# SopraCap Coping Order /Specification Form

(For Parapets 20" - 32")

**ANSI/SPRI ES-1 Tested\***

\* Please contact manufacturer for verification of test report data on your specific project

310 Quadral Drive • Wadsworth, OH 44281 • Ph.: (330)-334-0066 • (800)-356-3521 • Fax: (330)-334-4289



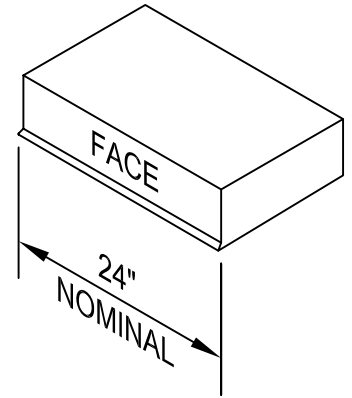
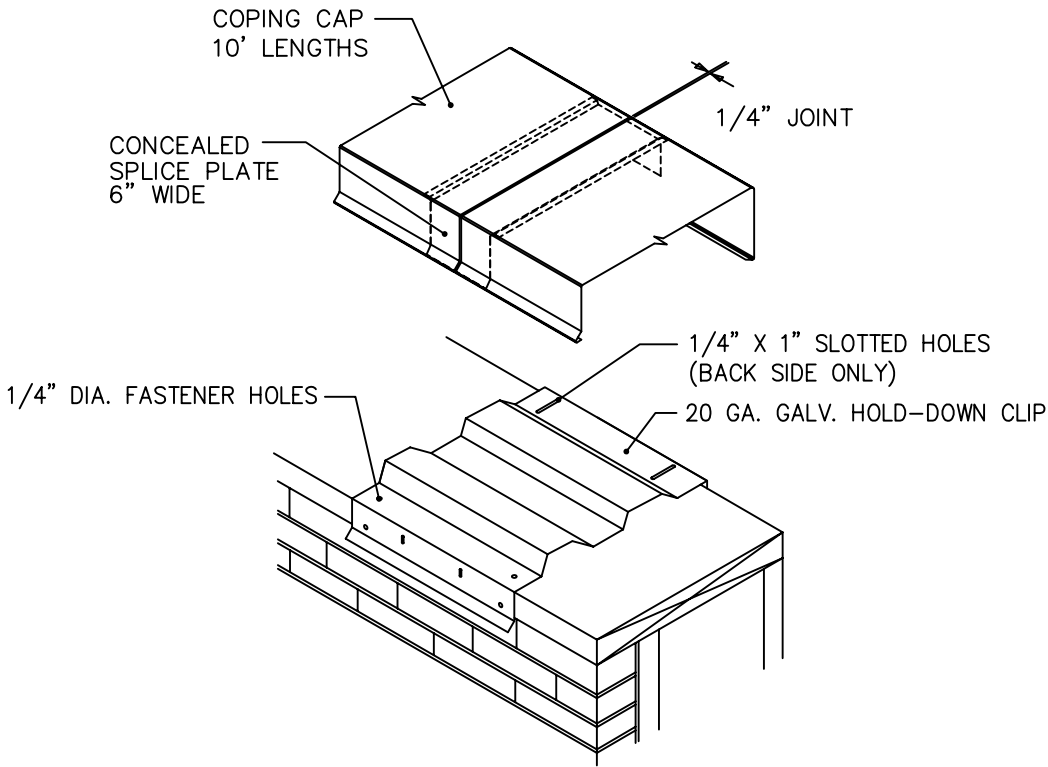
\* Minimum 4 1/2" face required for proper coverage of 2x nailer

DETAIL:	ARCHITECTURAL REF:	DESCRIPTION:		
<b>QUANTITY, THIS DETAIL</b> _____ TOTAL LF _____ OUTSIDE CORNERS _____ INSIDE CORNERS _____ SPECIAL CORNERS (attach sketches) _____ END CAP - L _____ END CAP - R _____ END TERM - L _____ END TERM - R _____ RADIUS LF 60" PCS) _____ RADIUS CORNERS (attach sketches)		<b>MATERIAL</b> <input type="checkbox"/> ALUMINUM <input type="checkbox"/> GALVANIZED <input type="checkbox"/> STAINLESS STEEL <input type="checkbox"/> _____	<b>ACCESSORY TYPE</b> <input type="checkbox"/> WELDED <input type="checkbox"/> METAL-LOK * IF ACCESSORY TYPE IS NOT CHECKED, WE WILL ASSUME "METAL-LOK"	<b>FINISH</b> <input type="checkbox"/> MILL FINISH <input type="checkbox"/> PREFINISHED KYNAR <input type="checkbox"/> POST FINISHED KYNAR <input type="checkbox"/> PREFINISHED ANODIZE <input type="checkbox"/> POST FINISHED ANODIZE <input type="checkbox"/> _____ <b>.063 PREFINISHED KYNAR IS ONLY AVAILABLE IN 7 STD. COLORS.</b>
		<b>THICKNESS</b> <input type="checkbox"/> .050 <input type="checkbox"/> .063 <input type="checkbox"/> .080 <input type="checkbox"/> .125 <input type="checkbox"/> 24 GA. (FOR 20" - 24" WALLS ONLY) <input type="checkbox"/> _____	<b>COLOR</b> _____	

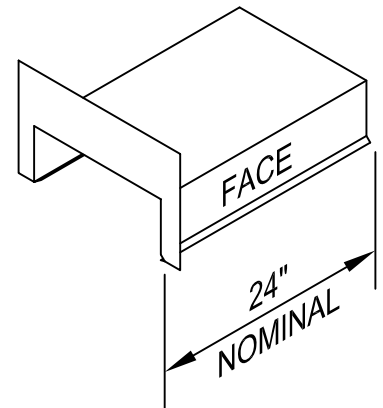
<b>Transmittal</b> <input type="checkbox"/> REQUEST FOR QUOTATION <input type="checkbox"/> SUBMIT FOR APPROVAL <input type="checkbox"/> REQUEST FOR INFORMATION <input type="checkbox"/> CONFIRMING TELECONFERENCE <input type="checkbox"/> FOR YOUR FILES By _____ Date _____	<b>Customer Approval</b> <input type="checkbox"/> APPROVED FOR FABRICATION <input type="checkbox"/> APPROVED AS NOTED <input type="checkbox"/> AMEND & RESUBMIT _____ <b>Authorized Customer Signature</b> _____ <b>Title</b> _____ <b>Date</b> _____
--	--

<b>Job Name</b>	<b>Job #</b>
<b>Location</b>	<b>Sheet of</b>
<b>Customer</b>	<b>By</b>
<b>Representative</b>	<b>Date</b>
<b>Architect</b>	

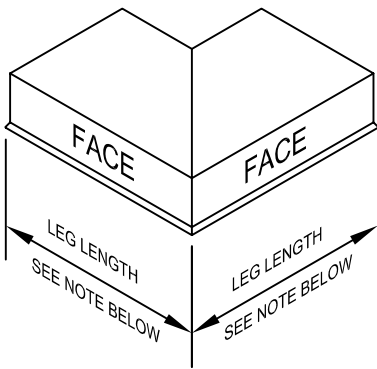
# SopraCap Coping



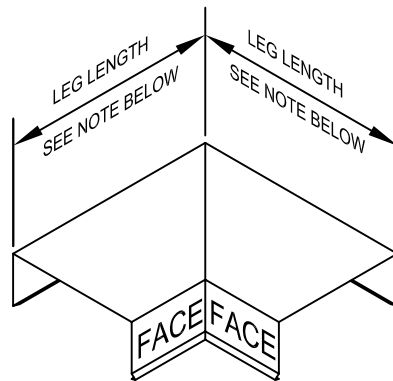
**END CAP**  
RIGHT HAND SHOWN



**END TERM**  
LEFT HAND SHOWN



**OUTSIDE CORNER**



**INSIDE CORNER**

STANDARD COPING CORNERS LEG LENGTHS:  
 LENGTH = 23 1/4" FOR 6" - 16" WALL WIDTHS  
 LENGTH = 29 1/4" FOR 17" - 23" WALL WIDTHS  
 LENGTH = CUSTOM FOR WALL WIDTHS > 23"

FOR SPECIAL CORNER REQUIREMENTS, ATTACH SKETCHES, OR CONSULT MFR. FOR ASSISTANCE.

