



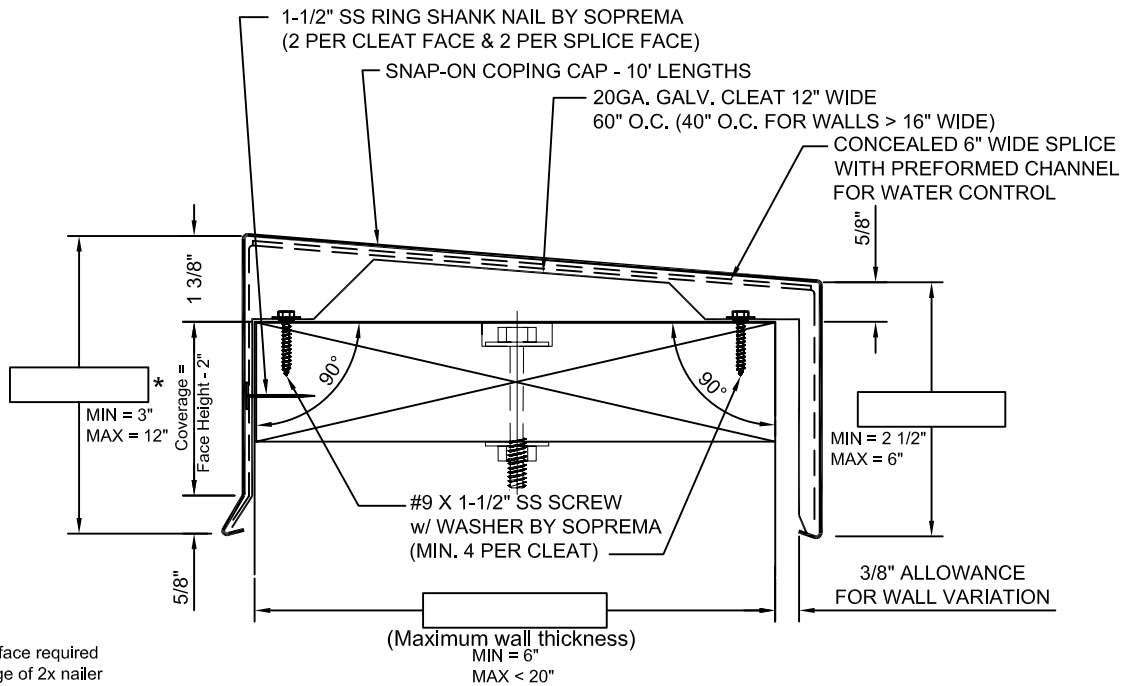
SOPREMA, INC.

SopraCap Coping
Order /Specification Form
 (For Parapets 6" - 20")

ANSI/SPRI ES-1 Tested*

* Please contact manufacturer for verification of test report data on your specific project

310 Quadral Drive • Wadsworth, OH 44281 • Ph.: (330)-334-0066 • (800)-356-3521 • Fax: (330)-334-4289



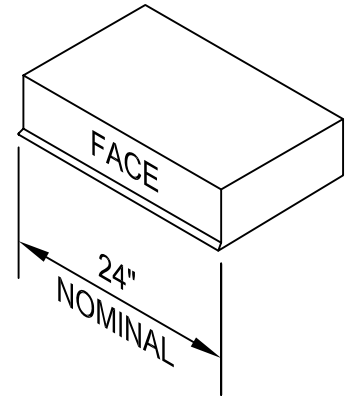
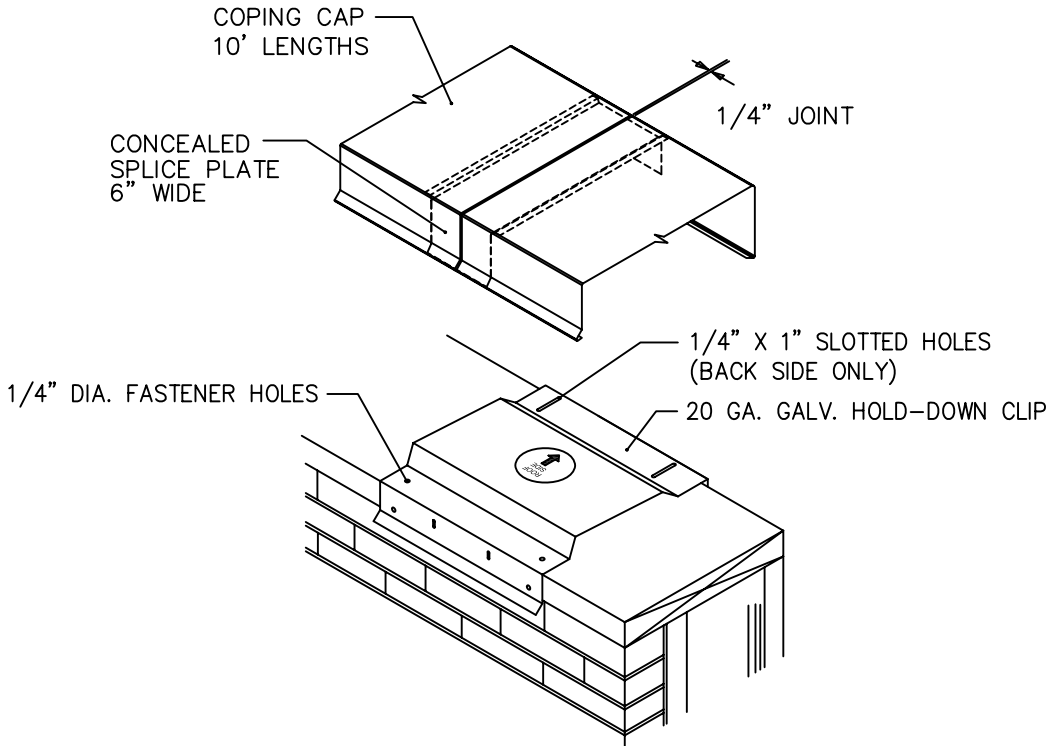
* Minimum 4 1/2" face required for proper coverage of 2x nailer

DETAIL:	ARCHITECTURAL REF:	DESCRIPTION:		
QUANTITY, THIS DETAIL _____ TOTAL LF _____ OUTSIDE CORNERS _____ INSIDE CORNERS _____ SPECIAL CORNERS (attach sketches) _____ END CAP - L _____ END CAP - R _____ END TERM - L _____ END TERM - R _____ RADIUS LF (60" PCS) _____ RADIUS CORNERS (attach sketches)	MATERIAL <input type="checkbox"/> ALUMINUM <input type="checkbox"/> GALVANIZED <input type="checkbox"/> STAINLESS STEEL <input type="checkbox"/> _____ THICKNESS <input type="checkbox"/> .040 <input type="checkbox"/> .050 <input type="checkbox"/> .063 <input type="checkbox"/> .080 <input type="checkbox"/> .125 <input type="checkbox"/> 24 GA. <input type="checkbox"/> _____		ACCESSORY TYPE <input type="checkbox"/> WELDED <input type="checkbox"/> METAL-LOK * IF ACCESSORY TYPE IS NOT CHECKED, WE WILL ASSUME "METAL-LOK"	
	FINISH <input type="checkbox"/> MILL FINISH <input type="checkbox"/> PREFINISHED KYNAR <input type="checkbox"/> POST FINISHED KYNAR <input type="checkbox"/> PREFINISHED ANODIZE <input type="checkbox"/> POST FINISHED ANODIZE <input type="checkbox"/> _____ .063 PREFINISHED KYNAR IS ONLY AVAILABLE IN 7 STD. COLORS. COLOR _____			

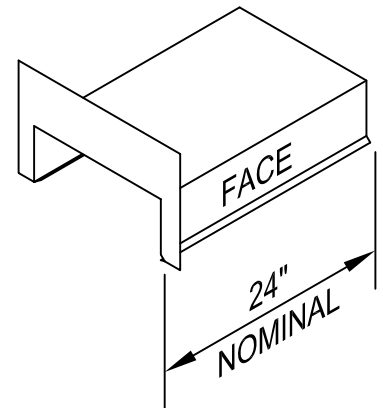
Transmittal <input type="checkbox"/> REQUEST FOR QUOTATION <input type="checkbox"/> SUBMIT FOR APPROVAL <input type="checkbox"/> REQUEST FOR INFORMATION <input type="checkbox"/> CONFIRMING TELECONFERENCE <input type="checkbox"/> FOR YOUR FILES By _____ Date _____	Customer Approval <input type="checkbox"/> APPROVED FOR FABRICATION <input type="checkbox"/> APPROVED AS NOTED <input type="checkbox"/> AMEND & RESUBMIT _____ Authorized Customer Signature _____ Title _____ Date _____
--	--

Job Name	Job #
Location	Sheet of
Customer	By
Representative	Date
Architect	

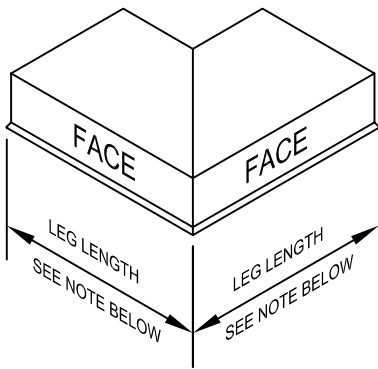
SopraCap Coping



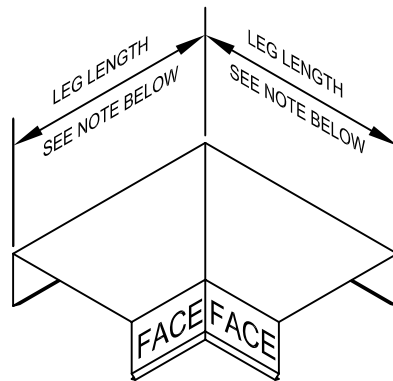
END CAP
RIGHT HAND SHOWN



END TERM
LEFT HAND SHOWN



OUTSIDE CORNER



INSIDE CORNER

STANDARD COPING CORNERS LEG LENGTHS:
 LENGTH = 23 1/4" FOR 6" - 16" WALL WIDTHS
 LENGTH = 29 1/4" FOR 17" - 23" WALL WIDTHS
 LENGTH = CUSTOM FOR WALL WIDTHS > 23"

FOR SPECIAL CORNER REQUIREMENTS, ATTACH SKETCHES, OR CONSULT MFR. FOR ASSISTANCE.

