

SOPREMA, INC.

310 Quadral Drive

• Wadsworth, OH 44281

• Ph.: (330)-334-0066

• (800)-356-3521

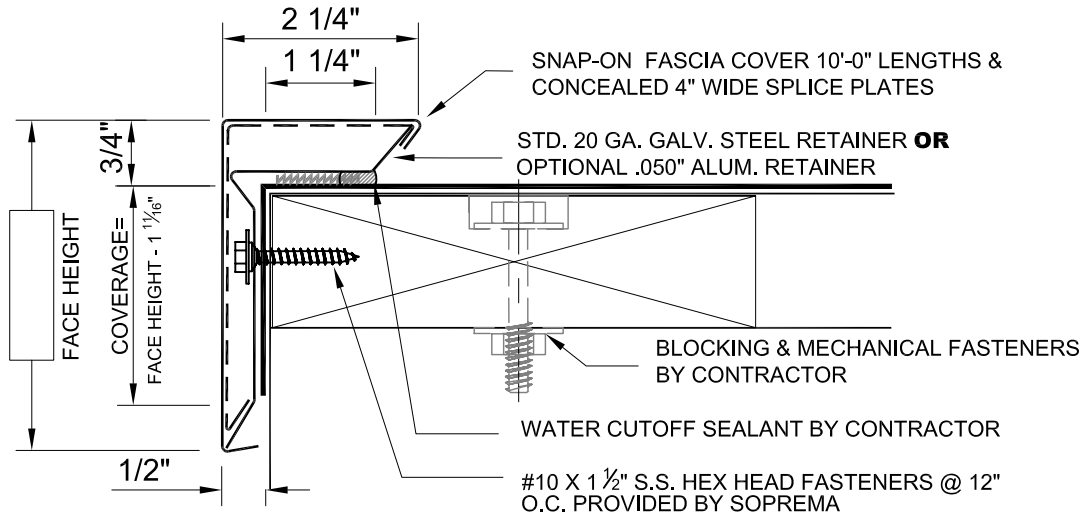
• Fax: (330)-334-4289

SopraEdge Fascia Order /Specification Form

(For Single-Ply Membrane)

ANSI/SPRI ES-1 Tested*

* Please contact manufacturer for verification of test report data on your specific project



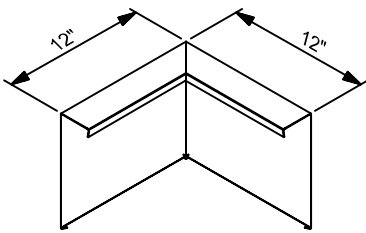
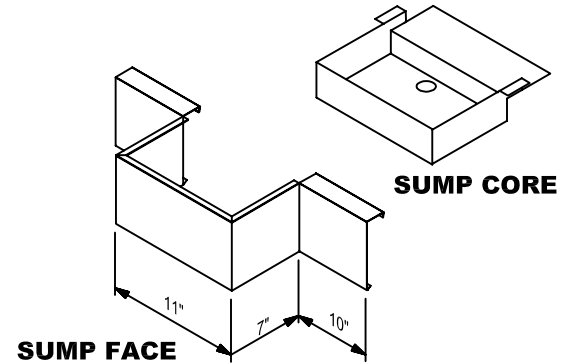
NOTE: SECOND ROW OF FASTENER HOLES PROVIDED FOR 6" FACE SIZE AND LARGER.

NOTE: COORDINATE INSTALLATION WITH MEMBRANE MFR.

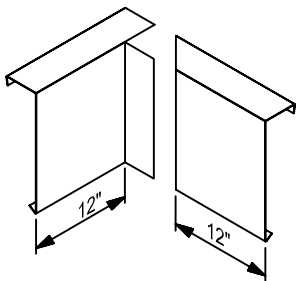
DETAIL:	ARCHITECTURAL REF:	DESCRIPTION:												
QUANTITY, THIS DETAIL _____ TOTAL LF _____ OUTSIDE CORNERS _____ INSIDE CORNERS _____ SPECIAL CORNERS (attach sketches) _____ END CAP - L _____ END CAP - R _____ *RADIUS LF _____ RADIUS CORNERS (attach sketches) * POST PAINTED RADIUS PIECES MUST BE WELDED AND ARE THEREFORE 58" LONG. PREFINISHED RADIUS WILL BE NOTCHED AND BE SUPPLIED IN 10'-0" LENGTHS.		<table border="1"> <thead> <tr> <th>MATERIAL</th> <th>ACCESSORY TYPE</th> <th>FINISH</th> </tr> </thead> <tbody> <tr> <td> <input type="checkbox"/> ALUMINUM <input type="checkbox"/> GALVANIZED <input type="checkbox"/> STAINLESS STEEL <input type="checkbox"/> _____ </td> <td> <input type="checkbox"/> FOLDED * WELDED CORNERS ARE NOT AVAILABLE FOR TERMINEDGE </td> <td> <input type="checkbox"/> MILL FINISH <input type="checkbox"/> PREFINISHED KYNAR <input type="checkbox"/> POST FINISHED KYNAR <input type="checkbox"/> PREFINISHED ANODIZE <input type="checkbox"/> POST FINISHED ANODIZE <input type="checkbox"/> _____ </td> </tr> <tr> <td> THICKNESS <input type="checkbox"/> .040 <input type="checkbox"/> .050 <input type="checkbox"/> .063 <input type="checkbox"/> 24 GA <input type="checkbox"/> _____ </td> <td> RETAINER OPTIONS <input type="checkbox"/> 20 GA GALV. (STD.) <input type="checkbox"/> .050 ALUMINUM </td> <td> .063 PREFINISHED KYNAR IS ONLY AVAILABLE IN 7 STD. COLORS. </td> </tr> <tr> <td colspan="3"> COLOR _____ </td> </tr> </tbody> </table>	MATERIAL	ACCESSORY TYPE	FINISH	<input type="checkbox"/> ALUMINUM <input type="checkbox"/> GALVANIZED <input type="checkbox"/> STAINLESS STEEL <input type="checkbox"/> _____	<input type="checkbox"/> FOLDED * WELDED CORNERS ARE NOT AVAILABLE FOR TERMINEDGE	<input type="checkbox"/> MILL FINISH <input type="checkbox"/> PREFINISHED KYNAR <input type="checkbox"/> POST FINISHED KYNAR <input type="checkbox"/> PREFINISHED ANODIZE <input type="checkbox"/> POST FINISHED ANODIZE <input type="checkbox"/> _____	THICKNESS <input type="checkbox"/> .040 <input type="checkbox"/> .050 <input type="checkbox"/> .063 <input type="checkbox"/> 24 GA <input type="checkbox"/> _____	RETAINER OPTIONS <input type="checkbox"/> 20 GA GALV. (STD.) <input type="checkbox"/> .050 ALUMINUM	.063 PREFINISHED KYNAR IS ONLY AVAILABLE IN 7 STD. COLORS.	COLOR _____		
MATERIAL	ACCESSORY TYPE	FINISH												
<input type="checkbox"/> ALUMINUM <input type="checkbox"/> GALVANIZED <input type="checkbox"/> STAINLESS STEEL <input type="checkbox"/> _____	<input type="checkbox"/> FOLDED * WELDED CORNERS ARE NOT AVAILABLE FOR TERMINEDGE	<input type="checkbox"/> MILL FINISH <input type="checkbox"/> PREFINISHED KYNAR <input type="checkbox"/> POST FINISHED KYNAR <input type="checkbox"/> PREFINISHED ANODIZE <input type="checkbox"/> POST FINISHED ANODIZE <input type="checkbox"/> _____												
THICKNESS <input type="checkbox"/> .040 <input type="checkbox"/> .050 <input type="checkbox"/> .063 <input type="checkbox"/> 24 GA <input type="checkbox"/> _____	RETAINER OPTIONS <input type="checkbox"/> 20 GA GALV. (STD.) <input type="checkbox"/> .050 ALUMINUM	.063 PREFINISHED KYNAR IS ONLY AVAILABLE IN 7 STD. COLORS.												
COLOR _____														
Transmittal <input type="checkbox"/> REQUEST FOR QUOTATION <input type="checkbox"/> SUBMIT FOR APPROVAL <input type="checkbox"/> REQUEST FOR INFORMATION <input type="checkbox"/> CONFIRMING TELECONFERENCE <input type="checkbox"/> FOR YOUR FILES By _____ Date _____		Customer Approval <input type="checkbox"/> APPROVED FOR FABRICATION <input type="checkbox"/> APPROVED AS NOTED <input type="checkbox"/> AMEND & RESUBMIT <hr/> Authorized Customer Signature _____ Title _____ Date _____												
Job Name		Job #												
Location		Sheet of												
Customer		By												
Representative		Date												
Architect														

SopraEdge Fascia

Fascia Model	Face Height in.	Coverage in.	Retainer Gauge B&S
TE375	3 3/4	2 1/16	20
TE525	5 1/4	3 9/16	20
TE675	6 3/4	5 1/16	20
MIN.	3 3/4	2 1/16	20
MAX.	13	11 5/16	20



STD. OUTSIDE CORNER

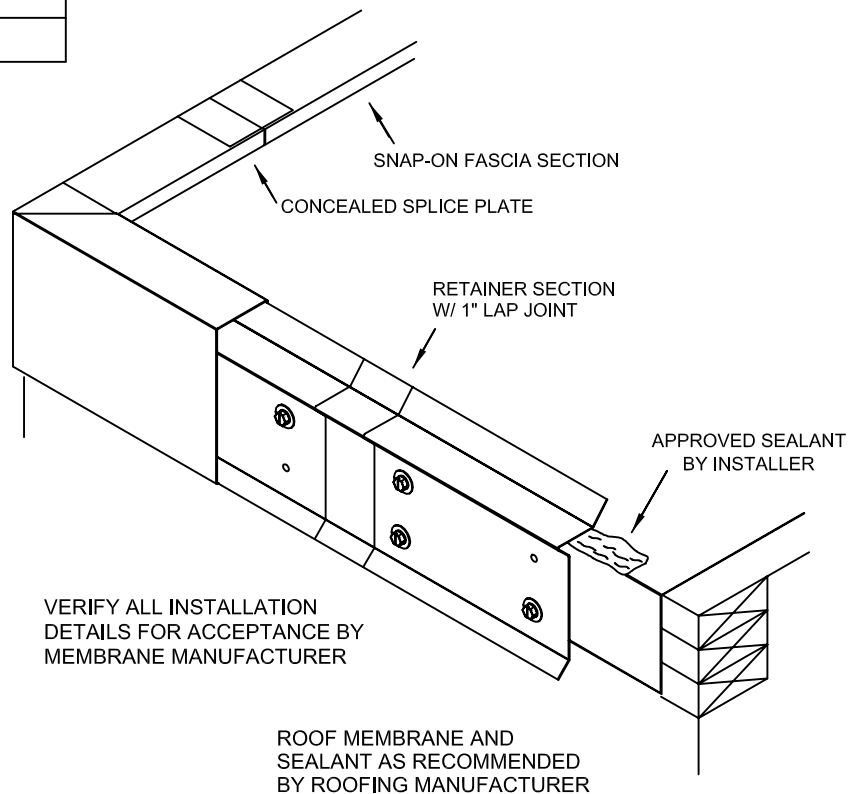


STD. INSIDE CORNER

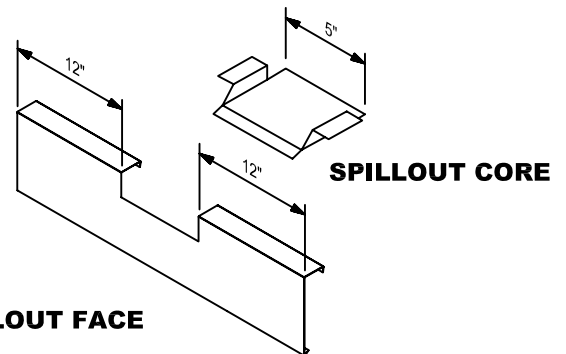
STANDARD FASCIA CORNERS ARE 90° - 12" X 12".
STANDARD END CAPS ARE 24" LONG.

FOR SPECIAL CORNER REQUIREMENTS,
ATTACH SKETCHES OR CONSULT MFR. FOR
ASSISTANCE.

MINIMUM AND MAXIMUM SIZES ARE INDICATED.
INTERMEDIATE SIZES MAY BE SPECIFIED
WITHIN THESE RANGES. CONSULT MFR. FOR
REQUIREMENTS NOT WITHIN THESE RANGES.
WHEN FACE SIZE EXCEEDS 6", ADDITIONAL
FASTENERS ARE REQUIRED ON FACE OF
RETAINER.



ROOF MEMBRANE AND
SEALANT AS RECOMMENDED
BY ROOFING MANUFACTURER



SPILLOUT FACE

SPILLOUT CORE

