

- ① Face = Coverage (should extend a min. of 1" below water resistant wall surface)+1 1/4".
② Coordinate installation with membrane manufacturer.

QUANTITY

- _____ Total LF (10'-0" pcs)
- _____ Miters (___ Outside, ___ Inside)
- _____ End Caps (___ Left, ___ Right)
- _____ End Terms (___ Left, ___ Right)
- _____ Radius LF (Notched - 10'-0" pcs)
- _____ Vaulted LF (Welded - 5'-0" pcs)
- _____ Sumps
- _____ Spill Outs
- _____ Special Corners (Attach Sketches)

MATERIAL

- Aluminum
- Galvanized
- Stainless Steel
- _____

THICKNESS

- 0.040
- 0.050
- 0.063
- 24GA
- 22GA
- _____

ACCESSORY TYPE

- Folded

MODEL

- 375
- 525
- 675
- 825
- 1125

FINISH

- Mill Finish
- Prefinished Kynar
- Post Finished Kynar
- Prefinished Anodize
- Post Finished Anodize
- _____

COLOR

0.063 prefinished Kynar® is only available in Statuary Bronze, Medium Bronze, Sandstone, Dove Gray, Ascot White, Forest Green & Bone White

APPROVALS (Contact manufacturer for verification of test report data on your project)

ANSI/SPRI
ES-1 TESTED

CUSTOMER APPROVAL

- Approved for Fabrication
- Approved with Changes
- Disapproved, Resubmit

Authorized Customer Signature

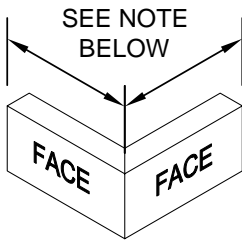
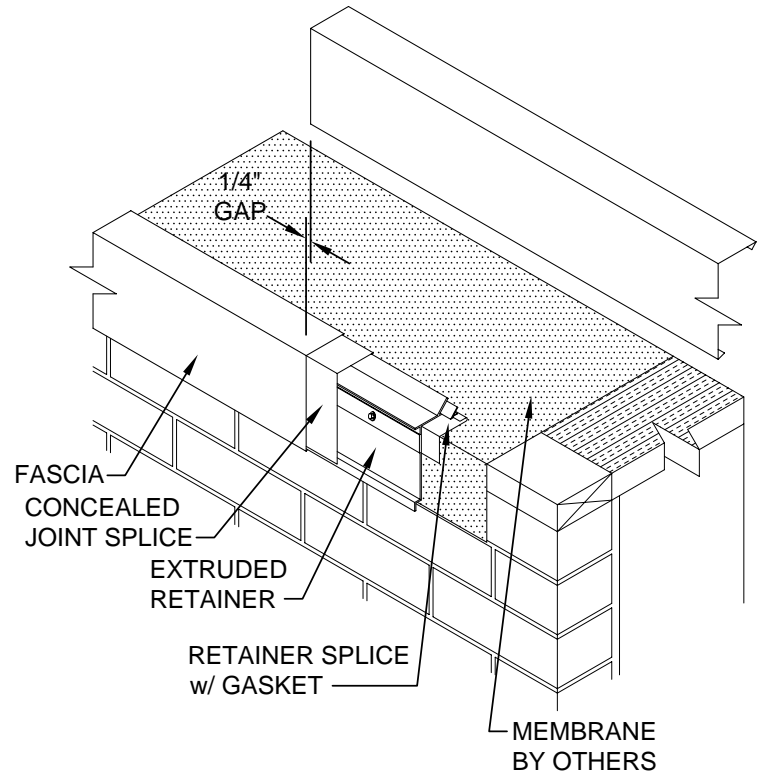
Title

Date

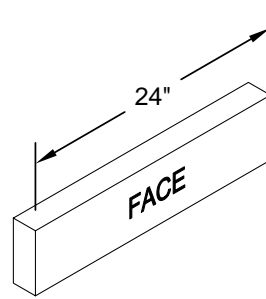
Job Name:	Customer:	By:
Job #:	Representative:	Date:
Location:	Architect:	Sheet of

VersiTrim 3000 XT

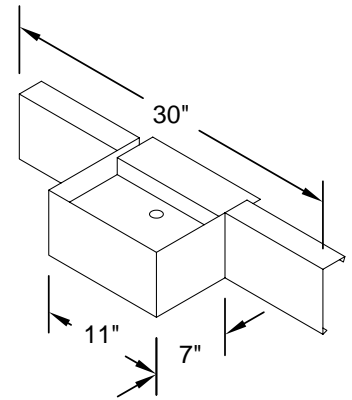
Fascia Model	Face Height	Nailer Coverage	Nailers Covered
375	3 3/4"	2 1/2"	1
525	5 1/4"	4"	2
675	6 3/4"	5 1/2"	3
825	8 1/4"	7"	4
1125	11 1/4"	10"	6



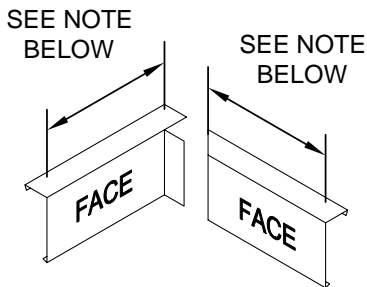
OUTSIDE MITER



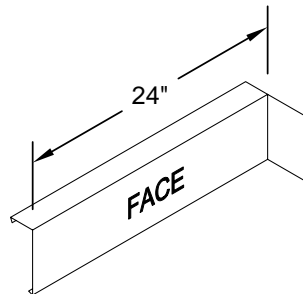
END CAP
LEFT HAND SHOWN



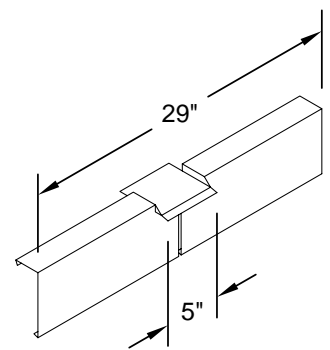
SUMP
2 PIECE ASSEMBLY



INSIDE MITER
2 PIECE ASSEMBLY



END TERM
RIGHT HAND SHOWN



SPILLOUT
3 PIECE ASSEMBLY

Standard fascia miter leg lengths: 12" nominal

Standard fascia miter angle is 90°

For special miter requirements, attach sketches or consult manufacturer for assistance.