



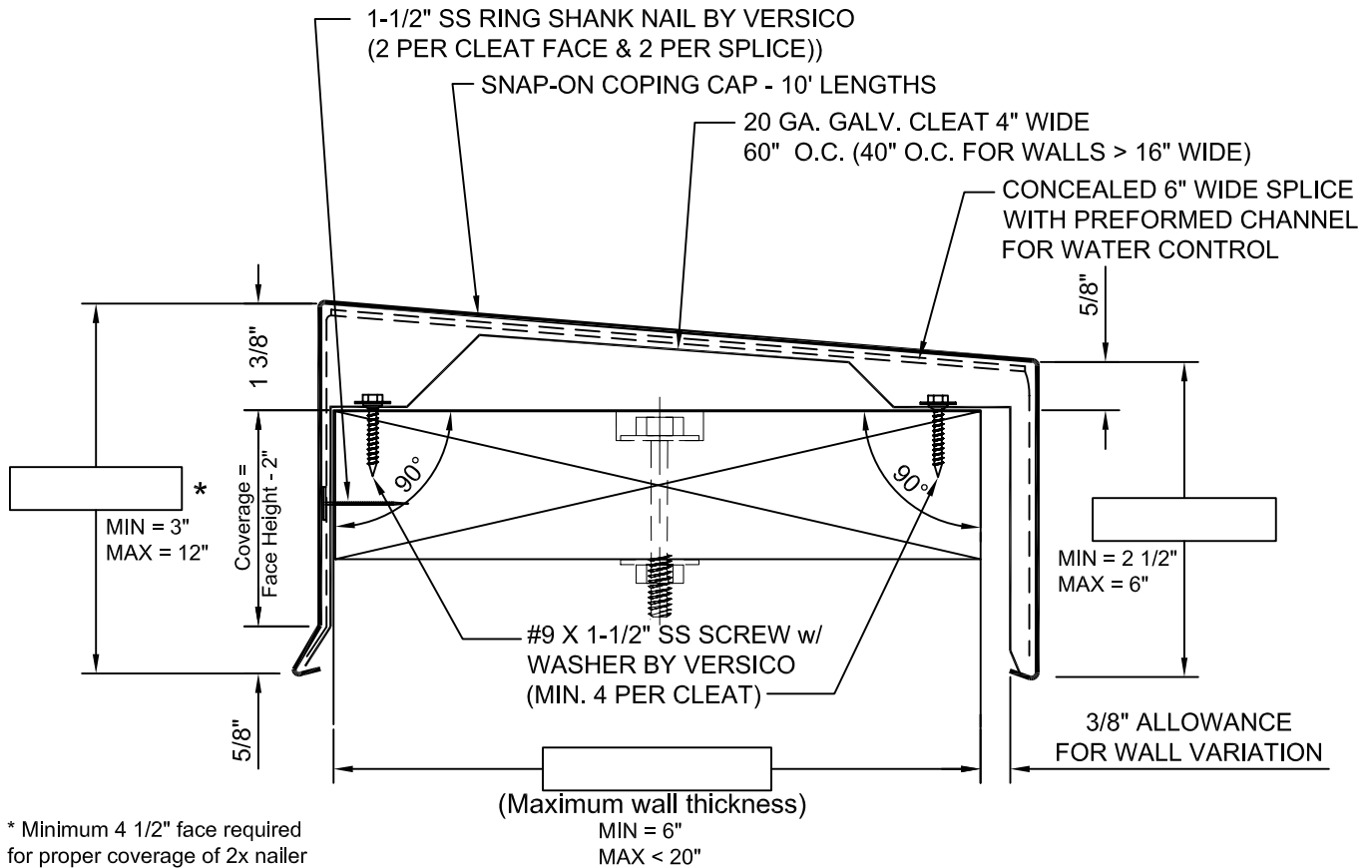
A subsidiary of Carlisle SynTec Incorporated
 © 2003 VERSICO INCORPORATED

Versitrim 300 Coping Order /Specification Form

(For Parapets 6" - 20")

ANSI/SPRI ES-1 Tested*

* Please contact manufacturer for verification of test report data on your specific project



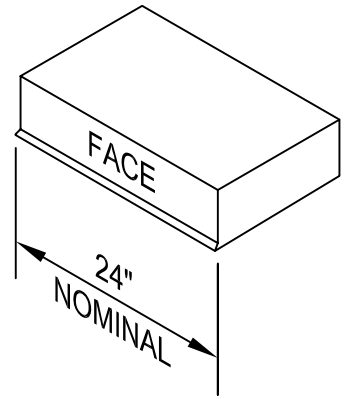
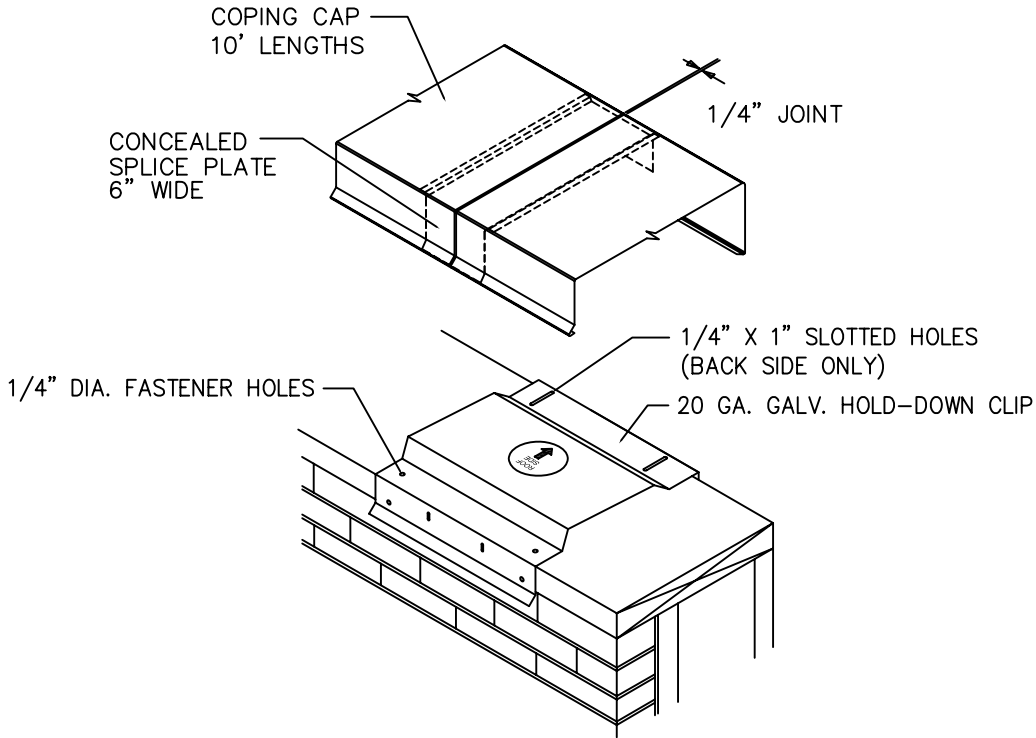
* Minimum 4 1/2" face required for proper coverage of 2x nailer

QUANTITY, THIS DETAIL	MATERIAL	ACCESSORY TYPE	FINISH
_____ TOTAL LF	<input type="checkbox"/> ALUMINUM	<input type="checkbox"/> WELDED	<input type="checkbox"/> MILL FINISH
_____ OUTSIDE CORNERS	<input type="checkbox"/> GALVANIZED	<input type="checkbox"/> METAL-LOK	<input type="checkbox"/> PREFINISHED KYNAR
_____ INSIDE CORNERS	<input type="checkbox"/> _____	* IF ACCESSORY TYPE IS NOT CHECKED, WE WILL ASSUME METAL-LOK.	<input type="checkbox"/> POST FINISHED KYNAR
_____ SPECIAL CORNERS (attach sketches)	THICKNESS		<input type="checkbox"/> PREFINISHED ANODIZE
_____ END CAP - L	<input type="checkbox"/> .040		<input type="checkbox"/> POST FINISHED ANODIZE
_____ END CAP - R	<input type="checkbox"/> .050		<input type="checkbox"/> _____
_____ END TERM - L	<input type="checkbox"/> .063		.063 PREFINISHED KYNAR IS ONLY AVAILABLE IN 7 STD. COLORS.
_____ END TERM - R	<input type="checkbox"/> .080		
_____ RADIUS LF (60" PCS)	<input type="checkbox"/> .125		
_____ RADIUS CORNERS (attach sketches)	<input type="checkbox"/> 24 GA.		
	<input type="checkbox"/> _____		COLOR _____

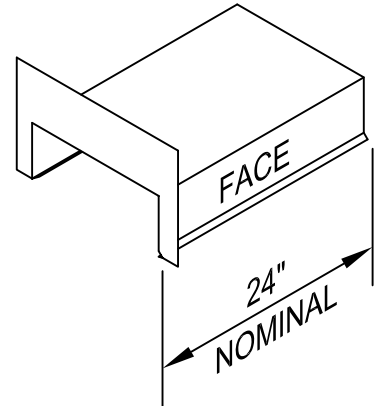
TRANSMITTAL <input type="checkbox"/> REQUEST FOR QUOTATION <input type="checkbox"/> REQUEST FOR INFORMATION <input type="checkbox"/> SUBMIT AS QUOTATION <input type="checkbox"/> CONFIRMING TELCON <input type="checkbox"/> SUBMIT FOR APPROVAL <input type="checkbox"/> FOR YOUR FILES BY: _____ DATE: _____	CUSTOMER APPROVAL : <input type="checkbox"/> APPROVED FOR FABRICATION _____ <input type="checkbox"/> APPROVED WITH CHANGES AUTHORIZED CUSTOMER SIGNATURE _____ <input type="checkbox"/> DISAPPROVED, RESUBMIT TITLE _____ DATE _____
--	---

JOB NAME	JOB #
LOCATION	SHEET OF
CUSTOMER	BY
REPRESENTATIVE	DATE
ARCHITECT	

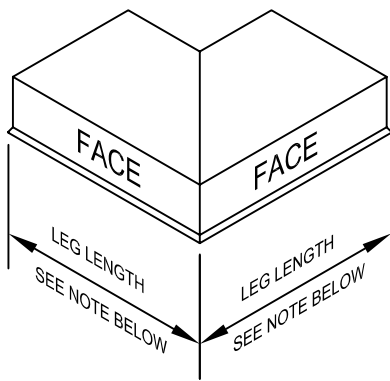
VERSITRIM 300 Coping



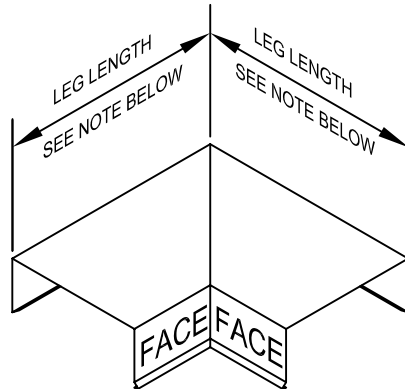
END CAP
RIGHT HAND SHOWN



END TERM
LEFT HAND SHOWN



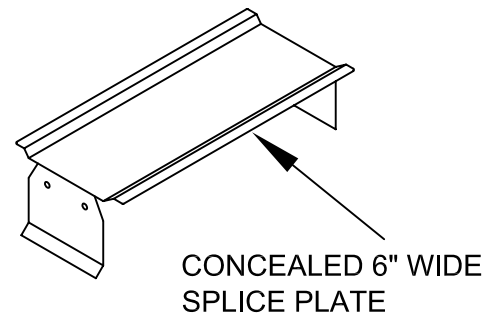
OUTSIDE CORNER



INSIDE CORNER

STANDARD COPING CORNERS LEG LENGTHS:
 LENGTH = 23 1/4" FOR 6" - 16" WALL WIDTHS
 LENGTH = 29 1/4" FOR 17" - 23" WALL WIDTHS
 LENGTH = CUSTOM FOR WALL WIDTHS > 23"

FOR SPECIAL CORNER REQUIREMENTS, ATTACH SKETCHES, OR
 CONSULT MFR. FOR ASSISTANCE.



VERSICO
INCORPORATED



Versico Incorporated
 P.O. Box 1289 · Carlisle, PA 17013
 Phone (800) 992-7663 · Fax (717) 960-4036