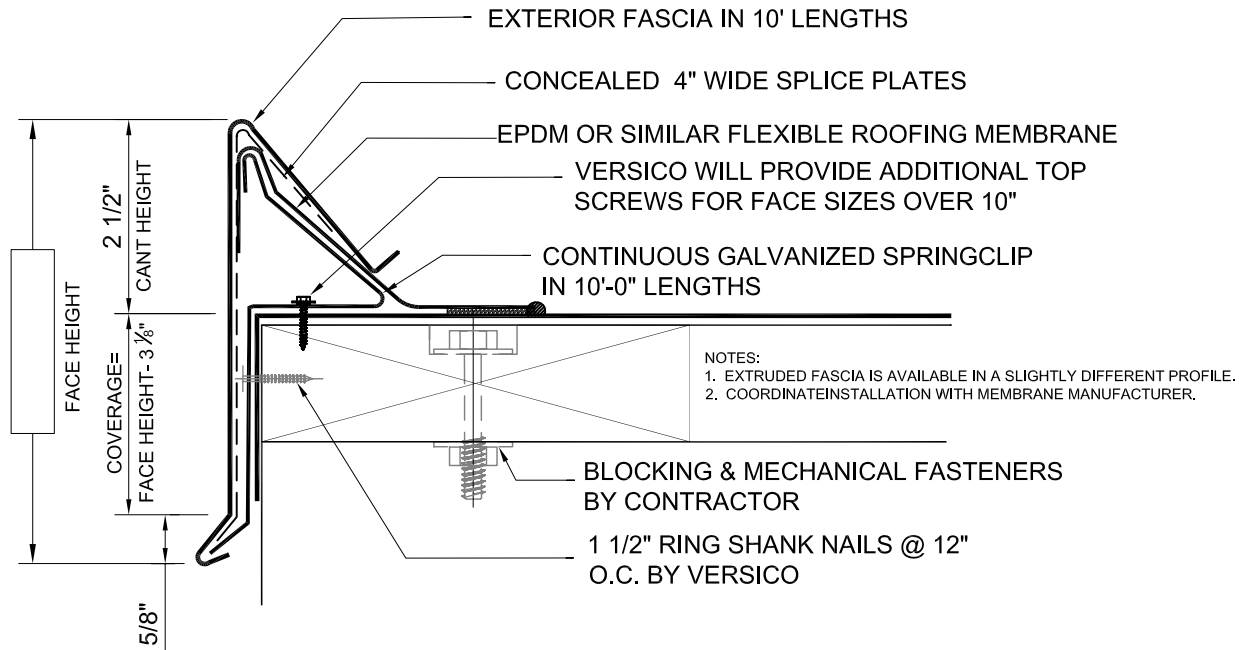




ANSI/SPRI ES-1 Tested*

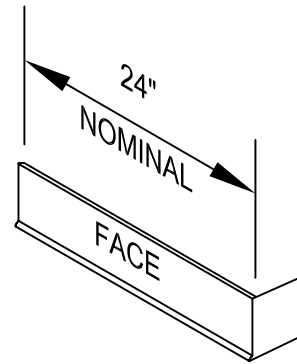
* Please contact manufacturer for verification of test report data on your specific project



DETAIL:	ARCHITECTURAL REF:	DESCRIPTION:		
QUANTITY, THIS DETAIL _____ TOTAL LF _____ OUTSIDE CORNERS _____ INSIDE CORNERS _____ SPECIAL CORNERS (attach sketches) _____ END CAP - L _____ END CAP - R _____ END TERM - L _____ END TERM - R _____ RADIUS LF _____ RADIUS CORNERS (attach sketches)		MATERIAL <input type="checkbox"/> ALUMINUM <input type="checkbox"/> GALVANIZED <input type="checkbox"/> STAINLESS STEEL <input type="checkbox"/> _____ THICKNESS <input type="checkbox"/> .050 <input type="checkbox"/> .063 <input type="checkbox"/> .080 <input type="checkbox"/> 24 GA <input type="checkbox"/> EXTRUDED (SEE NOTE) <input type="checkbox"/> _____	ACCESSORY TYPE <input type="checkbox"/> WELDED <input type="checkbox"/> METAL-LOK * IF ACCESSORY TYPE IS NOT CHECKED, WE WILL ASSUME "METAL-LOK"	FINISH <input type="checkbox"/> MILL FINISH <input type="checkbox"/> PREFINISHED KYNAR <input type="checkbox"/> POST FINISHED KYNAR <input type="checkbox"/> PREFINISHED ANODIZE <input type="checkbox"/> POST FINISHED ANODIZE <input type="checkbox"/> _____ .063 PREFINISHED KYNAR IS ONLY AVAILABLE IN 7 STD. COLORS. COLOR _____
Transmittal <input type="checkbox"/> REQUEST FOR QUOTATION <input type="checkbox"/> SUBMIT FOR APPROVAL <input type="checkbox"/> REQUEST FOR INFORMATION <input type="checkbox"/> CONFIRMING TELECONFERENCE <input type="checkbox"/> FOR YOUR FILES By _____ Date _____		Customer Approval <input type="checkbox"/> APPROVED FOR FABRICATION <input type="checkbox"/> APPROVED AS NOTED <input type="checkbox"/> AMEND & RESUBMIT _____ Authorized Customer Signature _____ Title _____ Date _____		
Job Name		Job #		
Location		Sheet of		
Customer Representative		By		
Architect		Date		

VersiTrim 300 Fascia

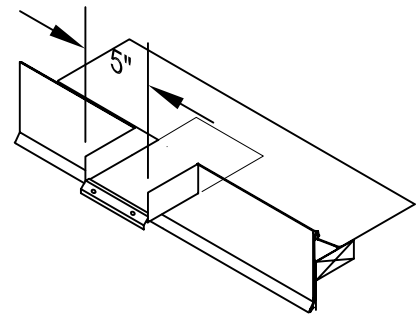
Fascia Model	Fascia Face Height in.	Minimum Fascia Gauge in.	Maximum Nailer Thickness Covered in.	Springclip Gauge B&S
EC1-550	5 1/2	.050	2 1/4	24
EC1-700	7	.050	3 3/4	24
EC1-850	8 1/2	.050	5 1/4	24
EC1-1000	10	.063	6 3/4	22



END CAP
RIGHT HAND SHOWN

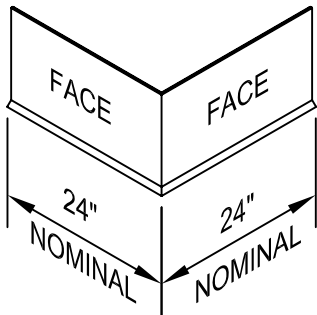
EXTRUDED FASCIA MODELS

ECX1-625	6 1/4	.080	3	24
ECX1-800	8	.090	4 3/4	24
ECX1-1000	10	.125	6 3/4	22

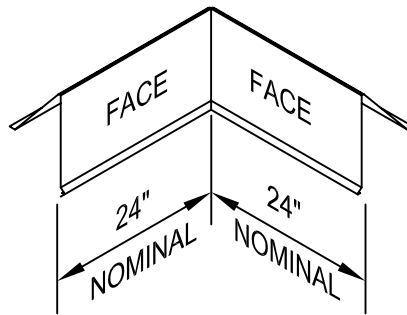


SPILLOUT SCUPPER

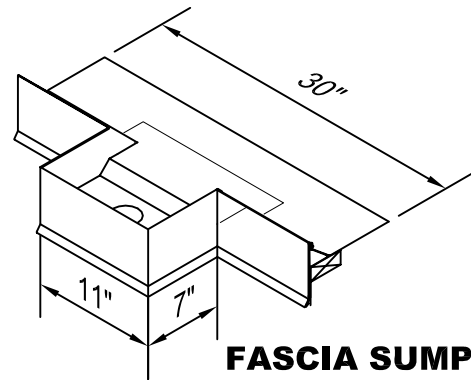
Intermediate Formed Fascia Sizes May Be Specified Within The Formed Fascia Ranges.



OUTSIDE CORNER



INSIDE CORNER



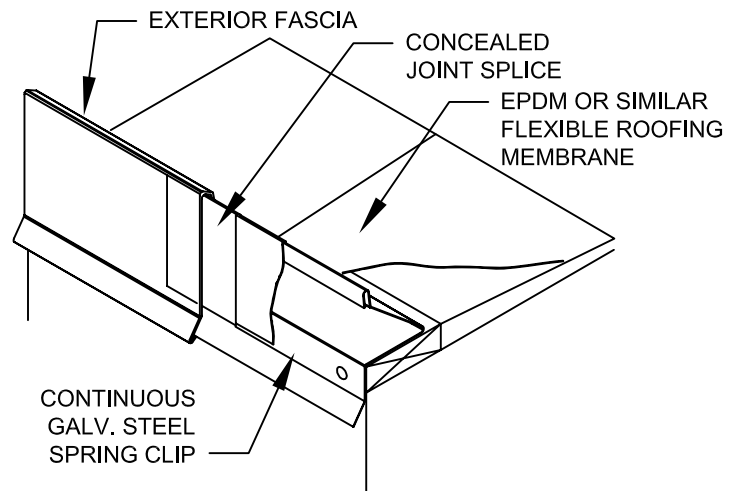
FASCIA SUMP

NOTE: VERIFY ALL INSTALLATION DETAILS FOR ACCEPTANCE BY MEMBRANE MANUFACTURER.

STANDARD FASCIA CORNERS ARE 90° - 24" x 24". STANDARD END CAPS ARE 24" LONG.

FOR SPECIAL CORNER REQUIREMENTS, ATTACH SKETCHES. OR CONSULT MFR. FOR ASSISTANCE.

MINIMUM AND MAXIMUM SIZES ARE INDICATED. INTERMEDIATE SIZES MAY BE SPECIFIED WITHIN THESE RANGES. CONSULT MFR. FOR REQUIREMENTS NOT WITHIN THESE RANGES. WHEN FACE SIZE EXCEEDS STD., ADDITIONAL FASTENERS ARE REQUIRED ON FACE OF SPRINGCLIP.



VERSICO
INCORPORATED



A subsidiary of Carlisle SynTec Incorporated

© 2002 VERSICO INCORPORATED

Versico Incorporated

P.O. Box 1289 · Carlisle, PA 17013

Phone (800) 992-7663 · Fax (717) 960-4036