

**\* DRIP EDGE WILL BE MANUFACTURED AT 90° UNLESS OTHERWISE SPECIFIED.**

**CLIP TYPE #3 SHOWN**

DETAIL:	ARCHITECTURAL REF:	DESCRIPTION:		
<b>QUANTITY, THIS DETAIL</b> _____ TOTAL LF _____ OUTSIDE CORNERS _____ INSIDE CORNERS _____ SPECIAL CORNERS (attach sketches) _____ END CAP - L _____ END CAP - R _____ RADIUS LF (58" PCS) _____ RADIUS CORNERS (attach sketches)		<b>MATERIAL</b> <input type="checkbox"/> ALUMINUM <input type="checkbox"/> GALVANIZED <input type="checkbox"/> _____  <b>THICKNESS</b> <input type="checkbox"/> .032 <input type="checkbox"/> .040 <input type="checkbox"/> .050 <input type="checkbox"/> .063 <input type="checkbox"/> .080 <input type="checkbox"/> .125 <input type="checkbox"/> 24 GA <input type="checkbox"/> _____	<b>ACCESSORY TYPE</b> <input type="checkbox"/> WELDED <input type="checkbox"/> FOLDED * IF ACCESSORY TYPE IS NOT CHECKED, WE WILL ASSUME FOLDED.  <b>CLIP OPTION</b> <input type="checkbox"/> TYPE 1 <input type="checkbox"/> TYPE 2 <input type="checkbox"/> TYPE 3 * CLIP TYPE #3 WILL BE SUPPLIED UNLESS OTHERWISE NOTED.	<b>FINISH</b> <input type="checkbox"/> MILL FINISH <input type="checkbox"/> PREFINISHED KYNAR <input type="checkbox"/> POST FINISHED KYNAR <input type="checkbox"/> PREFINISHED ANODIZE <input type="checkbox"/> POST FINISHED ANODIZE <input type="checkbox"/> _____  .063 PREFINISHED KYNAR IS ONLY AVAILABLE IN 7 STD. COLORS.  <b>COLOR</b> _____

<b>Transmittal</b> <input type="checkbox"/> REQUEST FOR QUOTATION <input type="checkbox"/> SUBMIT FOR APPROVAL <input type="checkbox"/> REQUEST FOR INFORMATION <input type="checkbox"/> CONFIRMING TELECONFERENCE <input type="checkbox"/> FOR YOUR FILES  By _____ Date _____	<b>Customer Approval</b> <input type="checkbox"/> APPROVED FOR FABRICATION <input type="checkbox"/> APPROVED AS NOTED <input type="checkbox"/> AMEND & RESUBMIT  _____ <b>Authorized Customer Signature</b>  _____ <b>Title</b> _____ <b>Date</b> _____
--	--

<b>Job Name</b>	<b>Job #</b>
<b>Location</b>	<b>Sheet of</b>
<b>Customer</b>	<b>By</b>
<b>Representative</b>	<b>Date</b>
<b>Architect</b>	

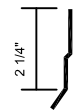
# VersiTrim 300 Drip Edge

Model	Face Height in.	Deck Flange in.	Coverage in.
DE250	2 1/2	4	1 7/8
DE400	4	4	3 3/8
DE550	5 1/2	4	4 7/8
DE700	7	4	6 3/8
DE800	8	4	7 3/8

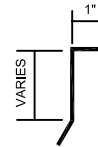
## CLEAT OPTIONS



CLIP 1  
24 GA GALV STEEL  
10'-0" LENGTHS



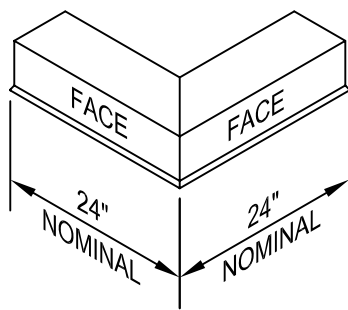
CLIP 2  
24 GA GALV STEEL  
10'-0" LENGTHS  
1/8" OFFSET



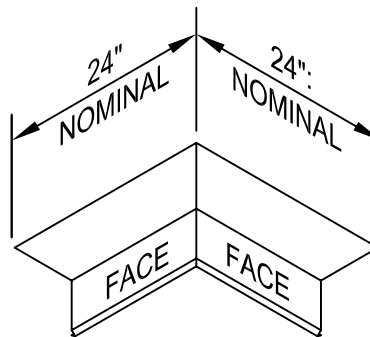
CLIP 3  
24 GA GALV STEEL  
10'-0" LENGTHS

### NOTES:

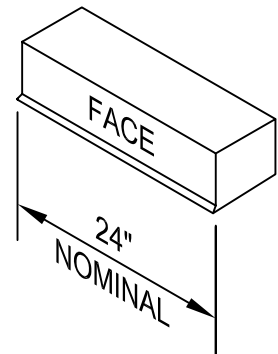
- HOLES IN EACH CLEAT ARE 12" O.C.
- CLIP STYLE #3 IS ONLY AVAILABLE FOR 6" OR SMALLER



**STD. OUTSIDE CORNER**

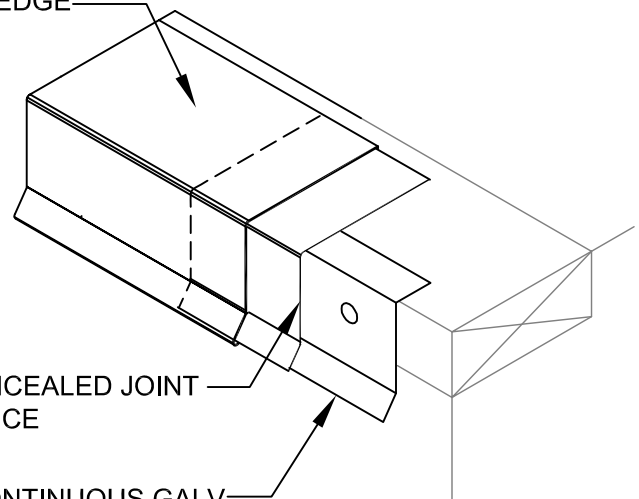


**STD. INSIDE CORNER**



**STD. END CAP**  
(RIGHT HAND SHOWN)

## FORMED DRIP EDGE



CONCEALED JOINT  
SPLICE

CONTINUOUS GALV  
CLEAT (TYPE #3 SHOWN)

STANDARD DRIP EDGE CORNERS ARE 90° - 24" X 24". STANDARD END CAPS ARE 12" LONG.

FOR SPECIAL CORNER REQUIREMENTS, ATTACH SKETCHES OR CONSULT MFR. FOR ASSISTANCE.

MINIMUM AND MAXIMUM SIZES ARE INDICATED. INTERMEDIATE SIZES MAY BE SPECIFIED WITHIN THESE RANGES. CONSULT MFR. FOR REQUIREMENTS NOT WITHIN THESE RANGES. WHEN FACE SIZE EXCEEDS 6", CLIP #3 IS NOT OFFERED.

**VERSICO**  
INCORPORATED

A subsidiary of Corliss SynTec Incorporated  
© 2003 VERSICO INCORPORATED

**Versico Incorporated**

P.O. Box 1289 · Carlisle, PA 17013

Phone (800) 992-7663 · Fax (717) 960-4036