

| | | | | |
|--|---------------------------|---|---|---|
| DETAIL: | ARCHITECTURAL REF: | DESCRIPTION: | | |
| QUANTITY, THIS DETAIL _____ TOTAL LF _____ OUTSIDE CORNERS _____ INSIDE CORNERS _____ SPECIAL CORNERS (attach sketches) _____ END CAP - L _____ END CAP - R _____ END TERM - L _____ END TERM - R _____ RADIUS LF _____ RADIUS CORNERS (attach sketches) | | MATERIAL <input type="checkbox"/> ALUMINUM <input type="checkbox"/> GALVANIZED <input type="checkbox"/> STAINLESS STEEL <input type="checkbox"/> _____ | ACCESSORY TYPE <input type="checkbox"/> WELDED | FINISH <input type="checkbox"/> MILL FINISH <input type="checkbox"/> PREFINISHED KYNAR <input type="checkbox"/> POST FINISHED KYNAR <input type="checkbox"/> PREFINISHED ANODIZE <input type="checkbox"/> POST FINISHED ANODIZE <input type="checkbox"/> _____ |
| | | THICKNESS <input type="checkbox"/> .032 <input type="checkbox"/> .040 <input type="checkbox"/> .050 <input type="checkbox"/> .063 <input type="checkbox"/> .080 <input type="checkbox"/> 24 GA <input type="checkbox"/> _____ | .063 PREFINISHED KYNAR IS ONLY AVAILABLE IN 7 STD. COLORS. COLOR _____ | |
| Transmittal <input type="checkbox"/> REQUEST FOR QUOTATION <input type="checkbox"/> SUBMIT FOR APPROVAL <input type="checkbox"/> REQUEST FOR INFORMATION <input type="checkbox"/> CONFIRMING TELECONFERENCE <input type="checkbox"/> FOR YOUR FILES By _____ Date _____ | | Customer Approval <input type="checkbox"/> APPROVED FOR FABRICATION <input type="checkbox"/> APPROVED AS NOTED <input type="checkbox"/> AMEND & RESUBMIT _____ Authorized Customer Signature _____ Title _____ Date _____ | | |
| Job Name | | Job # | | |
| Location | | Sheet of | | |
| Customer | | By | | |
| Representative | | Date | | |
| Architect | | | | |

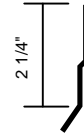
VersiTrim 300 Gravelstop

CLEAT OPTIONS

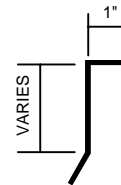
| | Face Height | Deck Flange | Cant Height |
|----------|-------------|-------------|-------------|
| | in. | in. | in. |
| MINIMUM | 2 1/2 | 4 1/2 | 1/2 |
| STANDARD | 4 | 5 | 1 |
| MAXIMUM | 12 | 8 | 3 |



CLIP 1
24 GA GALV STEEL
10'-0" LENGTHS



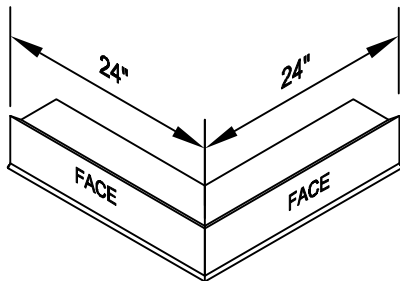
CLIP 2
24 GA GALV STEEL
10'-0" LENGTHS
1/8" OFFSET



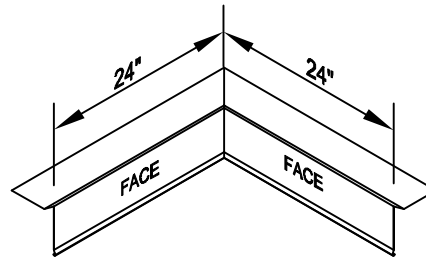
CLIP 3
24 GA GALV STEEL
10'-0" LENGTHS

NOTES:

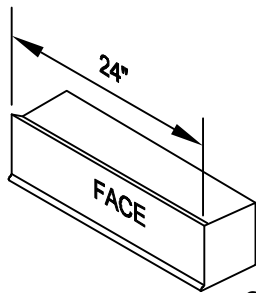
- HOLES IN EACH CLEAT ARE 12" O.C
- CLIP STYLE #3 IS ONLY AVAILABLE FOR FACES 6" OR SMALLER



STD. OUTSIDE CORNER



STD. INSIDE CORNER



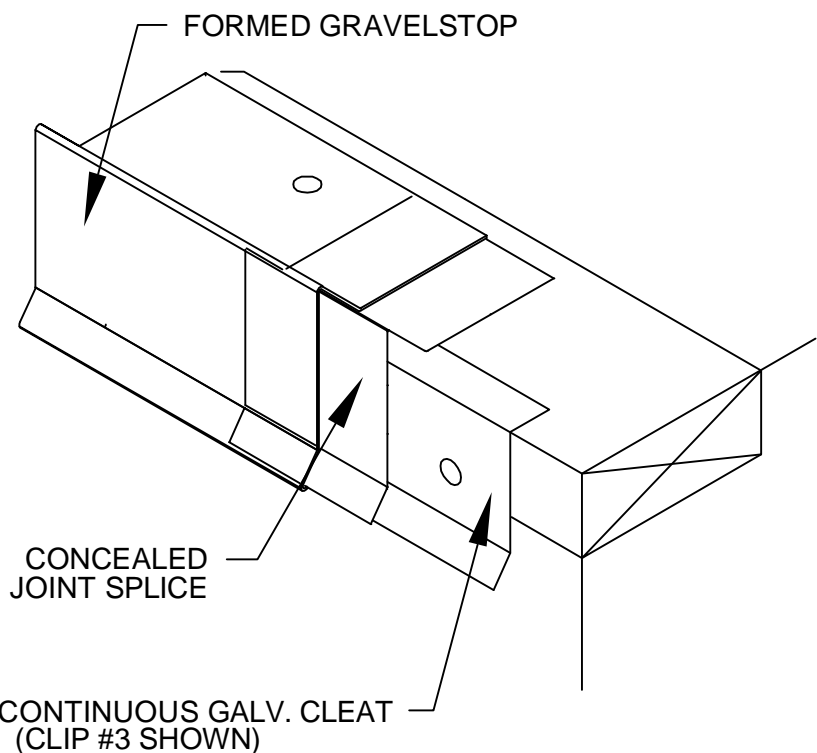
CAPPED END

STD. END CAP
RIGHT HAND SHOWN

STANDARD FASCIA CORNERS ARE 90° - 24" X 24". STANDARD END CAPS ARE 24" LONG.

FOR SPECIAL CORNER REQUIREMENTS, ATTACH SKETCHES OR CONSULT MFR. FOR ASSISTANCE.

MINIMUM AND MAXIMUM SIZES ARE INDICATED. INTERMEDIATE SIZES MAY BE SPECIFIED WITHIN THESE RANGES. CONSULT MFR. FOR REQUIREMENTS NOT WITHIN THESE RANGES. WHEN FACE SIZE EXCEEDS 6", ADDITIONAL FASTENERS ARE REQUIRED ON FACE OF RETAINER CLEAT.



VERSICO
INCORPORATED

A subsidiary of Carlisle SynTec Incorporated
© 2003 VERSICO INCORPORATED

Versico Incorporated
P.O. Box 1289 · Carlisle, PA 17013
Phone (800) 992-7663 · Fax (717) 960-4036