

HICKMAN[®]
The Leading Edge[®] Since 1945

W.P. Hickman Company
 9 Hickman Drive, P.O. Box 15005
 Asheville, NC 28813
 (828) 274-4000 Fax (828) 274-4031

STANDARD PANEL DETAILS

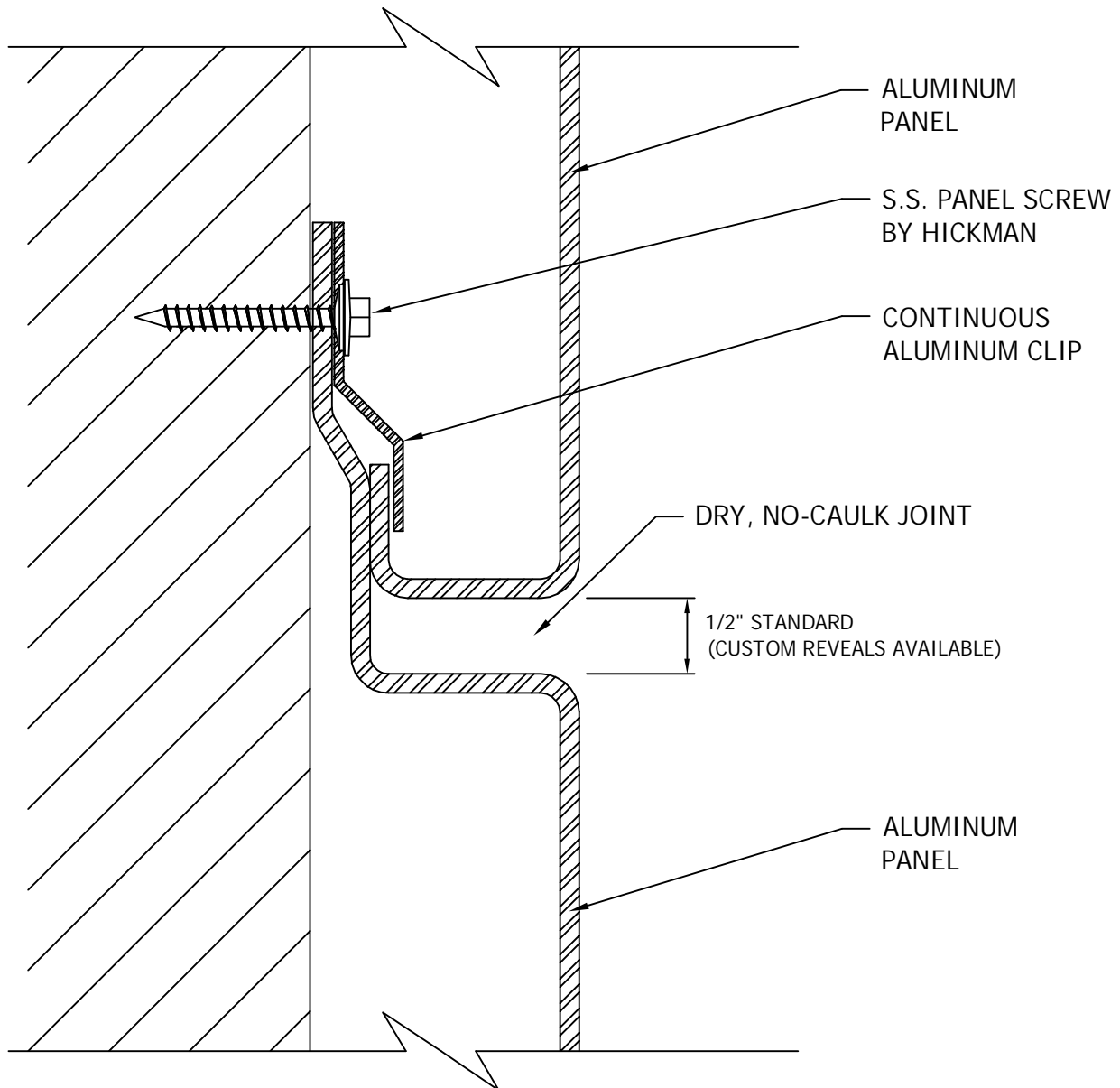
SCALE

NTS

REVISION

12.02.09

A



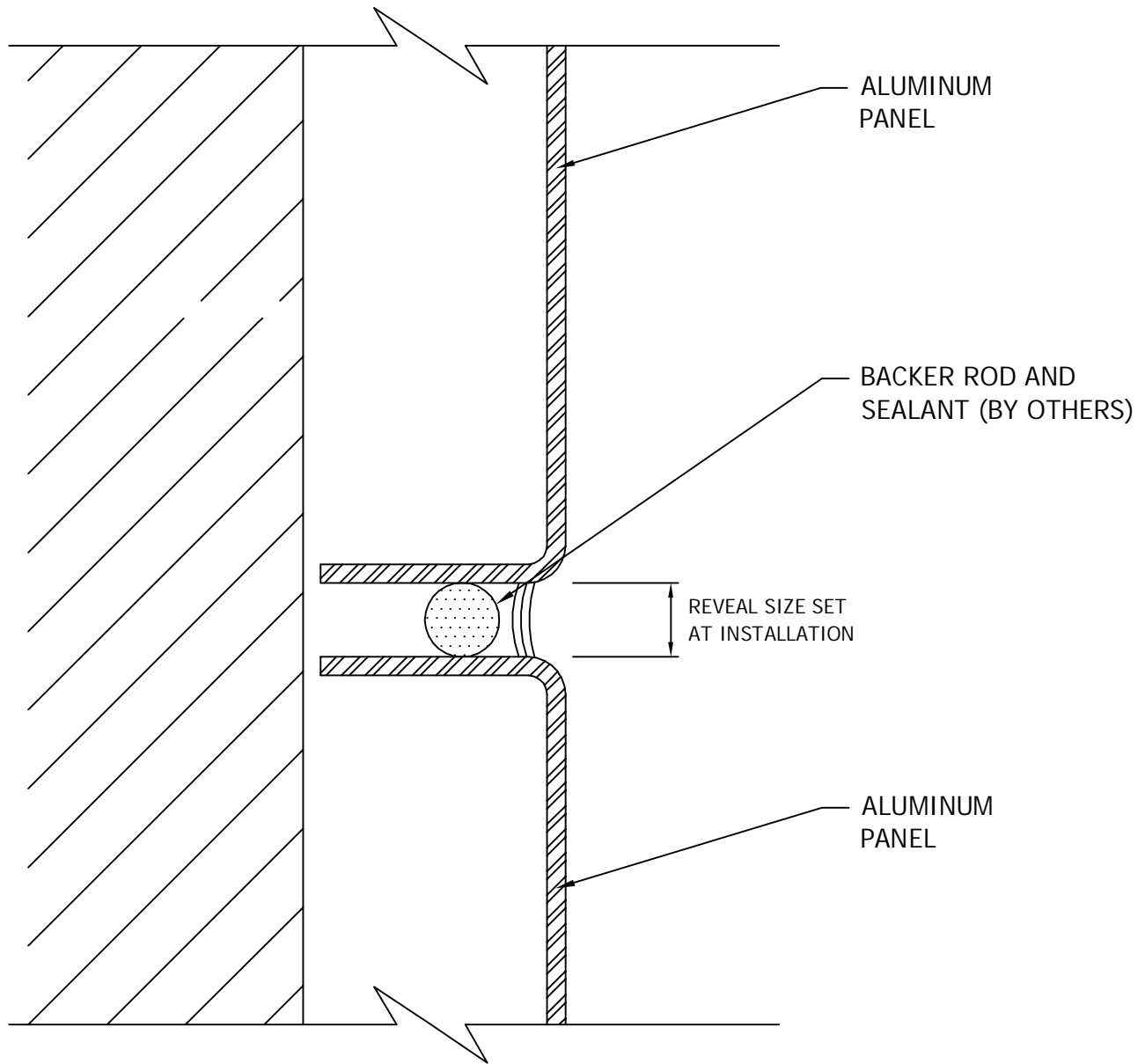
DETAILS DEPICT STANDARD CONDITIONS. CONTACT HICKMAN ENGINEERING FOR CUSTOM DETAILS.

HICKMAN[®]
The Leading Edge[®] Since 1945

W.P. Hickman Company
 9 Hickman Drive, P.O. Box 15005
 Asheville, NC 28813
 (828) 274-4000 Fax (828) 274-4031

CAULK FREE PANEL DESIGN
 TYPICAL HORIZONTAL JOINT DETAIL

<u>SCALE</u>	<u>REVISION</u>		
NTS	12.02.09		B1



DETAILS DEPICT STANDARD CONDITIONS. CONTACT HICKMAN ENGINEERING FOR CUSTOM DETAILS.

HICKMAN[®]
The Leading Edge[®] Since 1945

W.P. Hickman Company
 9 Hickman Drive, P.O. Box 15005
 Asheville, NC 28813
 (828) 274-4000 Fax (828) 274-4031

CAULKED JOINT PANEL DESIGN
 TYPICAL HORIZONTAL JOINT DETAIL

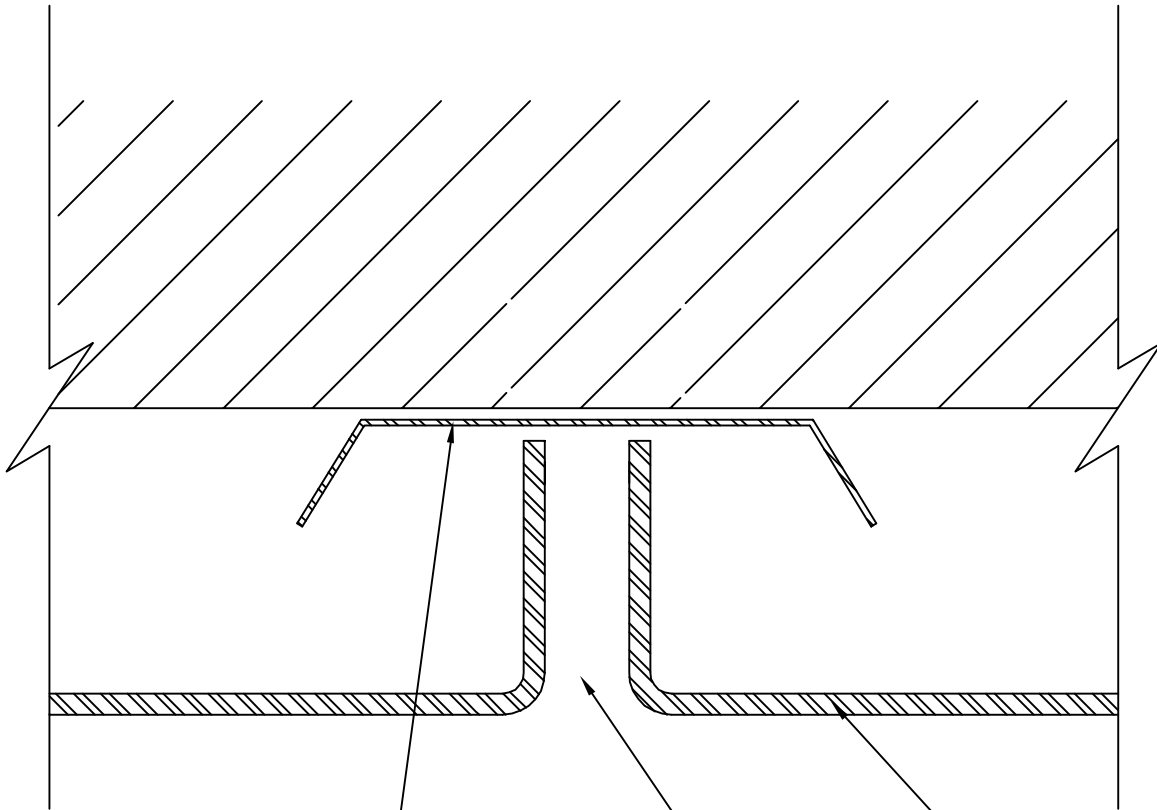
SCALE

NTS

REVISION

12.02.09

B2



CONTINUOUS ALUMINUM
WALL GUTTER FASTENED
AT THE TOP (UNDER FLASHING)
WITH S.S. RING SHANK NAILS
(BY HICKMAN)

ALUMINUM
PANEL

DRY, NO-CAULK JOINT
1/2" STANDARD
(CUSTOM REVEALS AVAILABLE)

DETAILS DEPICT STANDARD CONDITIONS. CONTACT HICKMAN ENGINEERING FOR CUSTOM DETAILS.

HICKMAN[®]
The Leading Edge[®] Since 1945

W.P. Hickman Company
9 Hickman Drive, P.O. Box 15005
Asheville, NC 28813
(828) 274-4000 Fax (828) 274-4031

CAULK FREE PANEL DESIGN

TYPICAL VERTICAL JOINT DETAIL

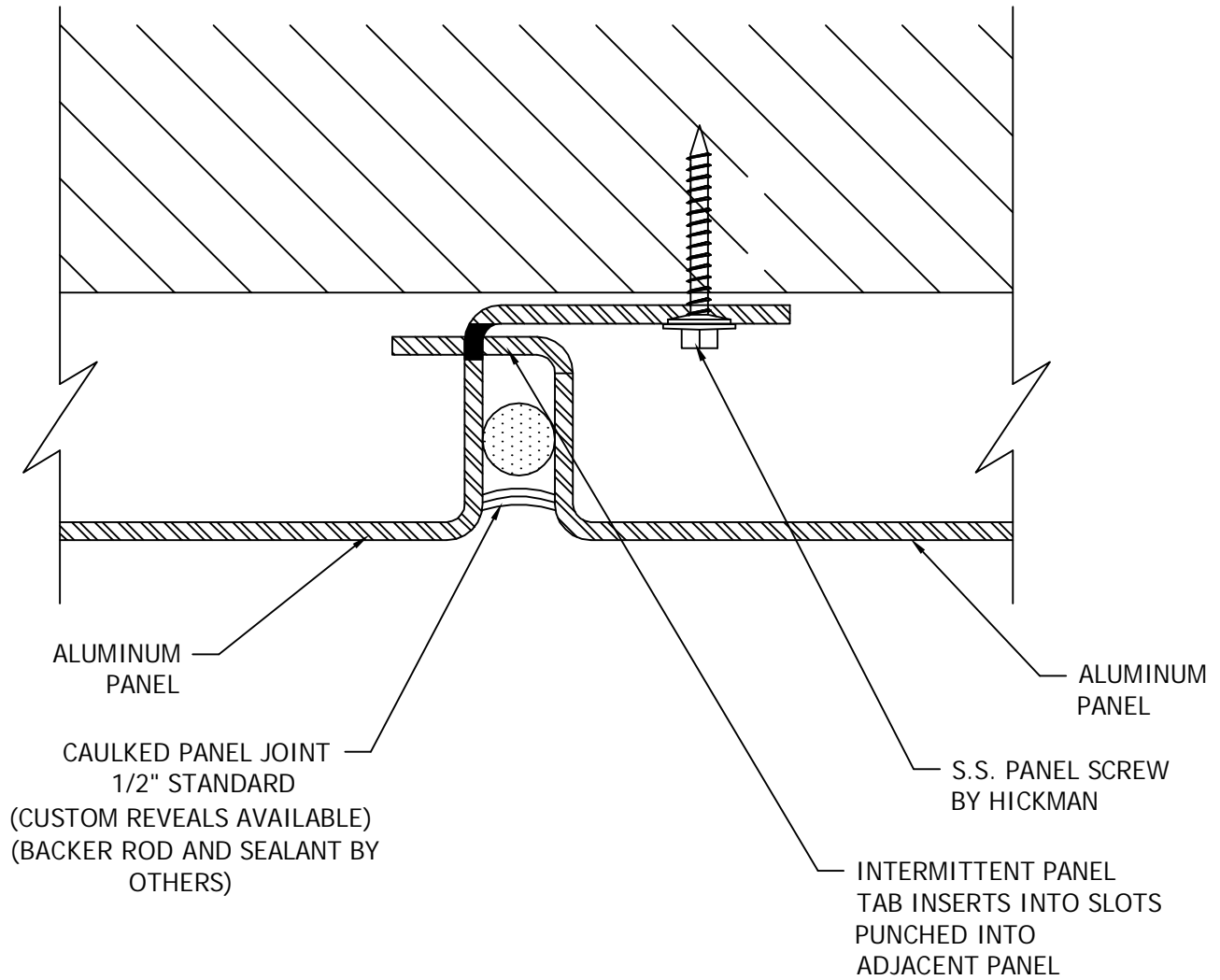
SCALE

NTS

REVISION

12.02.09

C1



DETAILS DEPICT STANDARD CONDITIONS. CONTACT HICKMAN ENGINEERING FOR CUSTOM DETAILS.

HICKMAN[®]
The Leading Edge[®] Since 1945

W.P. Hickman Company
9 Hickman Drive, P.O. Box 15005
Asheville, NC 28813
(828) 274-4000 Fax (828) 274-4031

CAULKED JOINT PANEL DESIGN

TYPICAL VERTICAL JOINT DETAIL

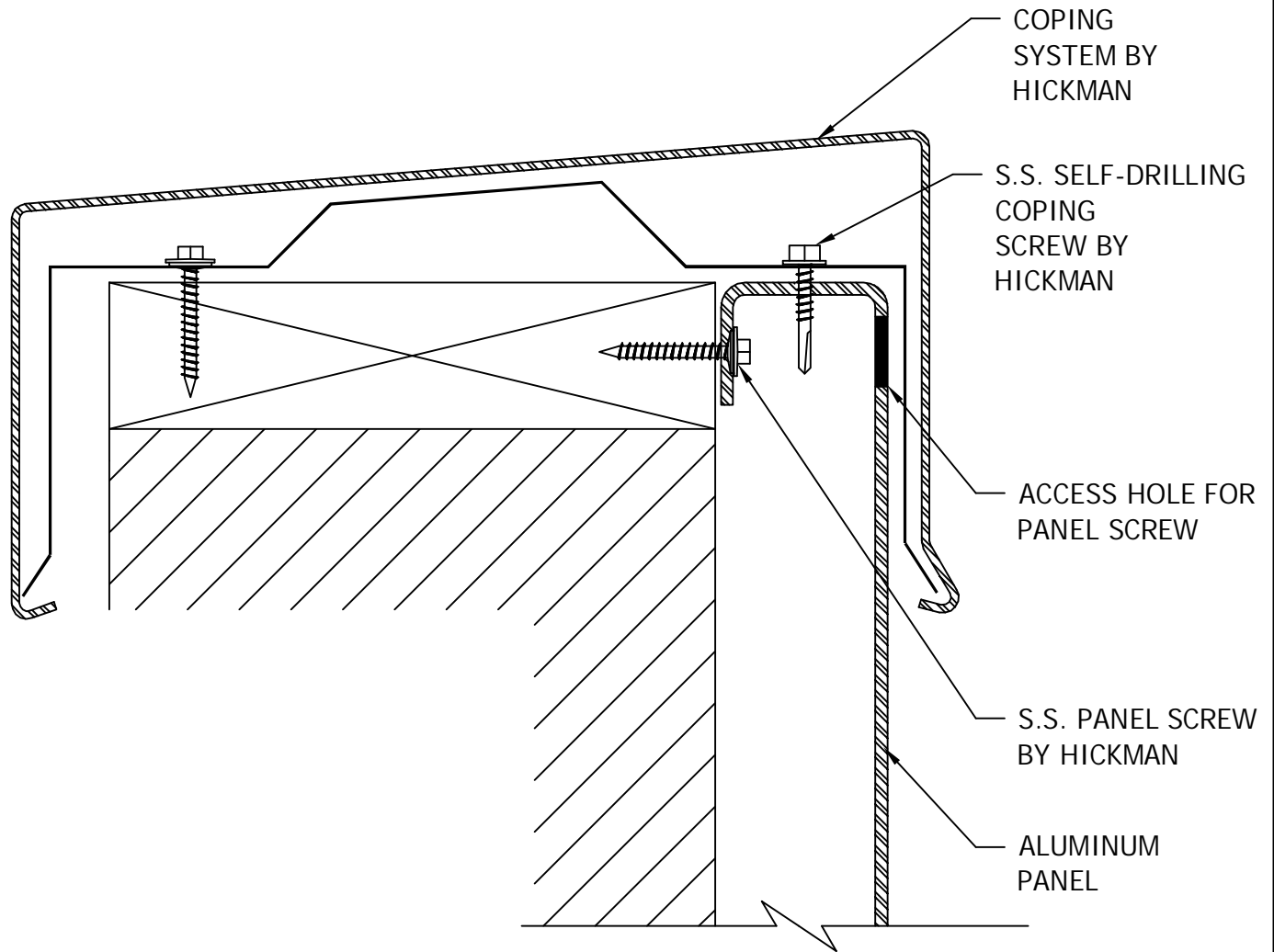
SCALE

NTS

REVISION

12.02.09

C2



DETAILS DEPICT STANDARD CONDITIONS. CONTACT HICKMAN ENGINEERING FOR CUSTOM DETAILS.

HICKMAN[®]
The Leading Edge[®] Since 1945

W.P. Hickman Company
 9 Hickman Drive, P.O. Box 15005
 Asheville, NC 28813
 (828) 274-4000 Fax (828) 274-4031

CAULK FREE PANEL DESIGN

TYPICAL HEAD DETAIL

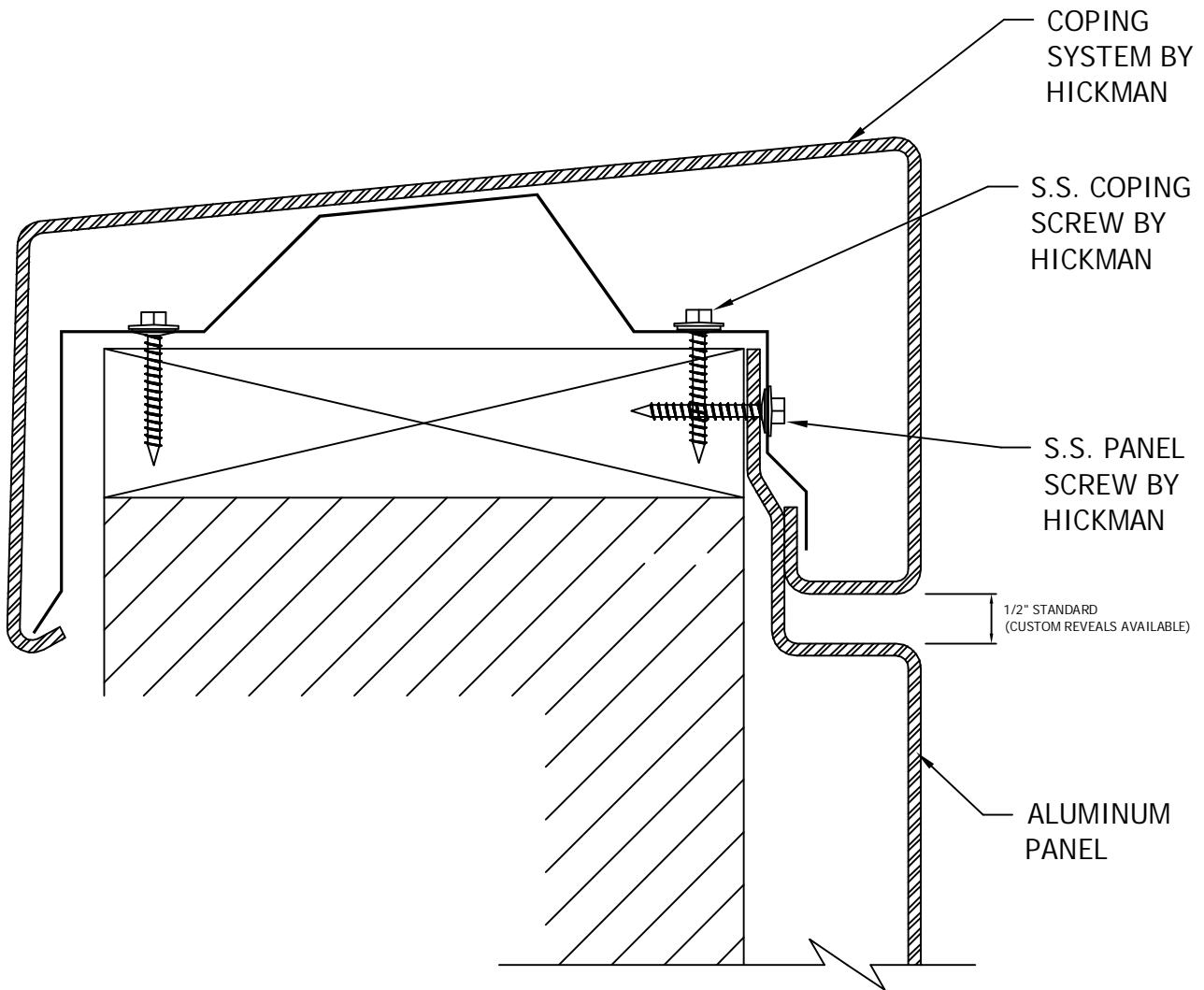
SCALE

NTS

REVISION

12.02.09

D1-A



DETAILS DEPICT STANDARD CONDITIONS. CONTACT HICKMAN ENGINEERING FOR CUSTOM DETAILS.

HICKMAN[®]
The Leading Edge[®] Since 1945

W.P. Hickman Company
9 Hickman Drive, P.O. Box 15005
Asheville, NC 28813
(828) 274-4000 Fax (828) 274-4031

CAULK FREE PANEL DESIGN
TYPICAL HEAD DETAIL

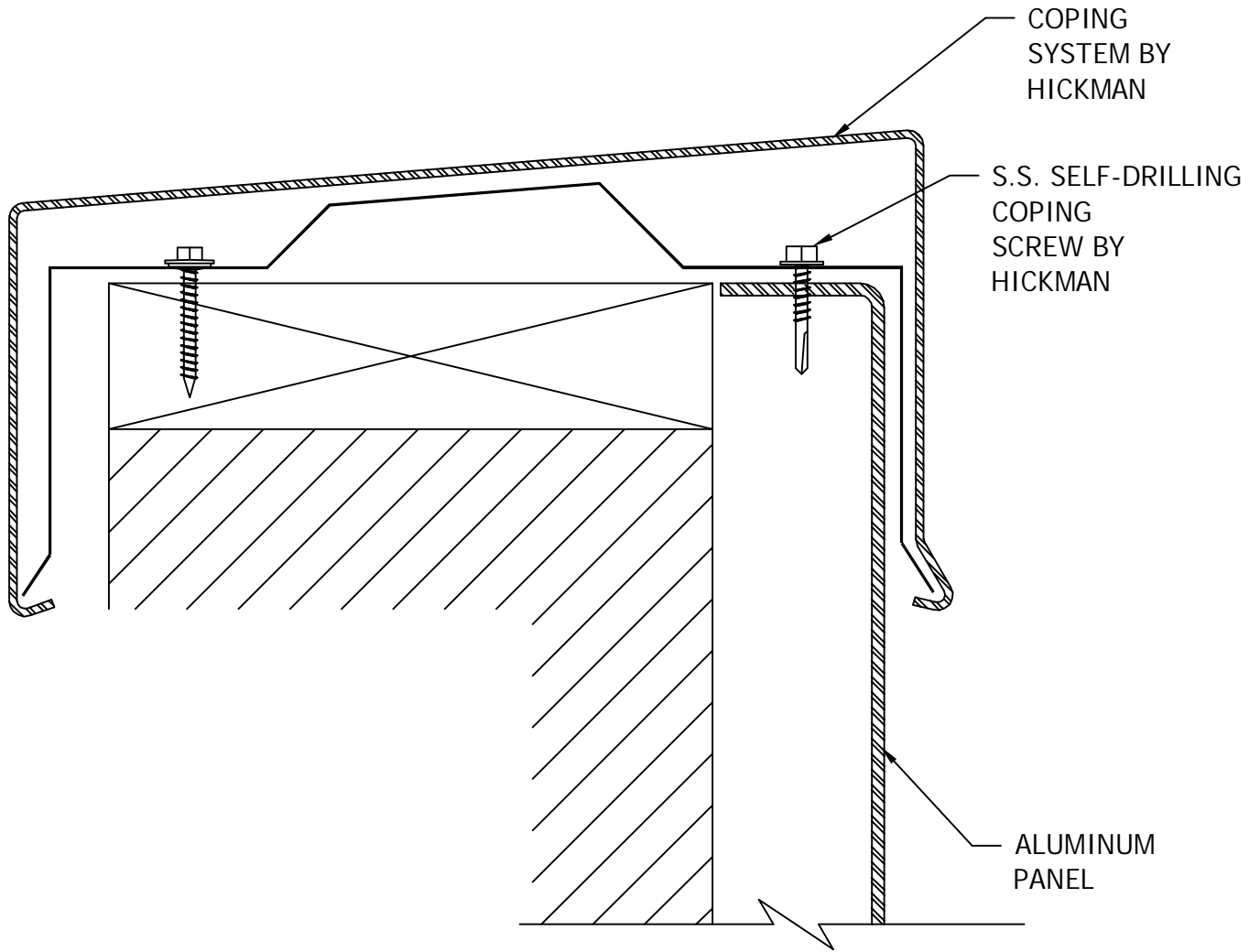
SCALE

NTS

REVISION

12.02.09

D1-B



DETAILS DEPICT STANDARD CONDITIONS. CONTACT HICKMAN ENGINEERING FOR CUSTOM DETAILS.

HICKMAN[®]
The Leading Edge[®] Since 1945

W.P. Hickman Company
 9 Hickman Drive, P.O. Box 15005
 Asheville, NC 28813
 (828) 274-4000 Fax (828) 274-4031

CAULKED JOINT PANEL DESIGN
 TYPICAL HEAD DETAIL

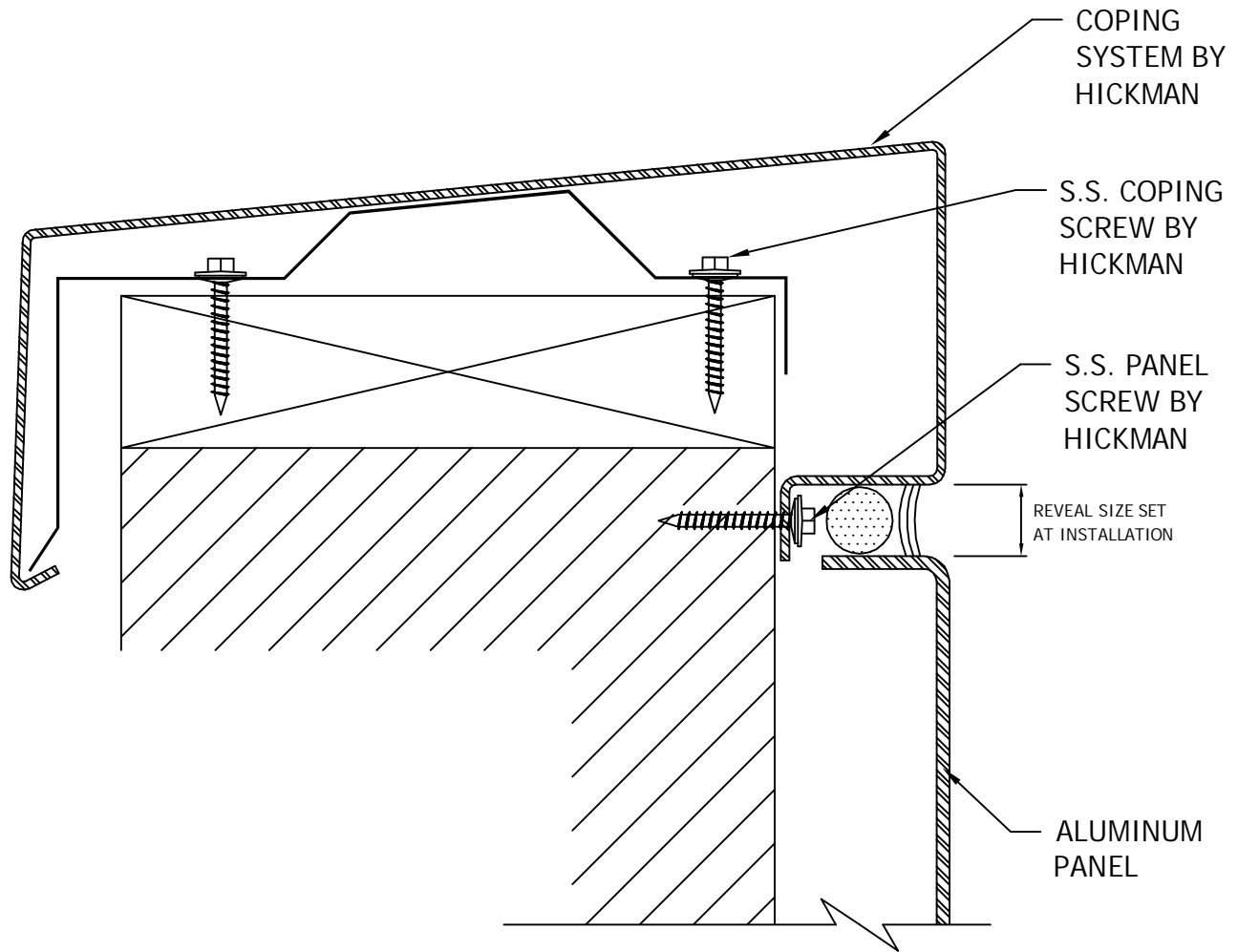
SCALE

NTS

REVISION

12.02.09

D2-A



DETAILS DEPICT STANDARD CONDITIONS. CONTACT HICKMAN ENGINEERING FOR CUSTOM DETAILS.

HICKMAN[®]
The Leading Edge[®] Since 1945

W.P. Hickman Company
 9 Hickman Drive, P.O. Box 15005
 Asheville, NC 28813
 (828) 274-4000 Fax (828) 274-4031

CAULKED JOINT PANEL DESIGN
 TYPICAL HEAD DETAIL

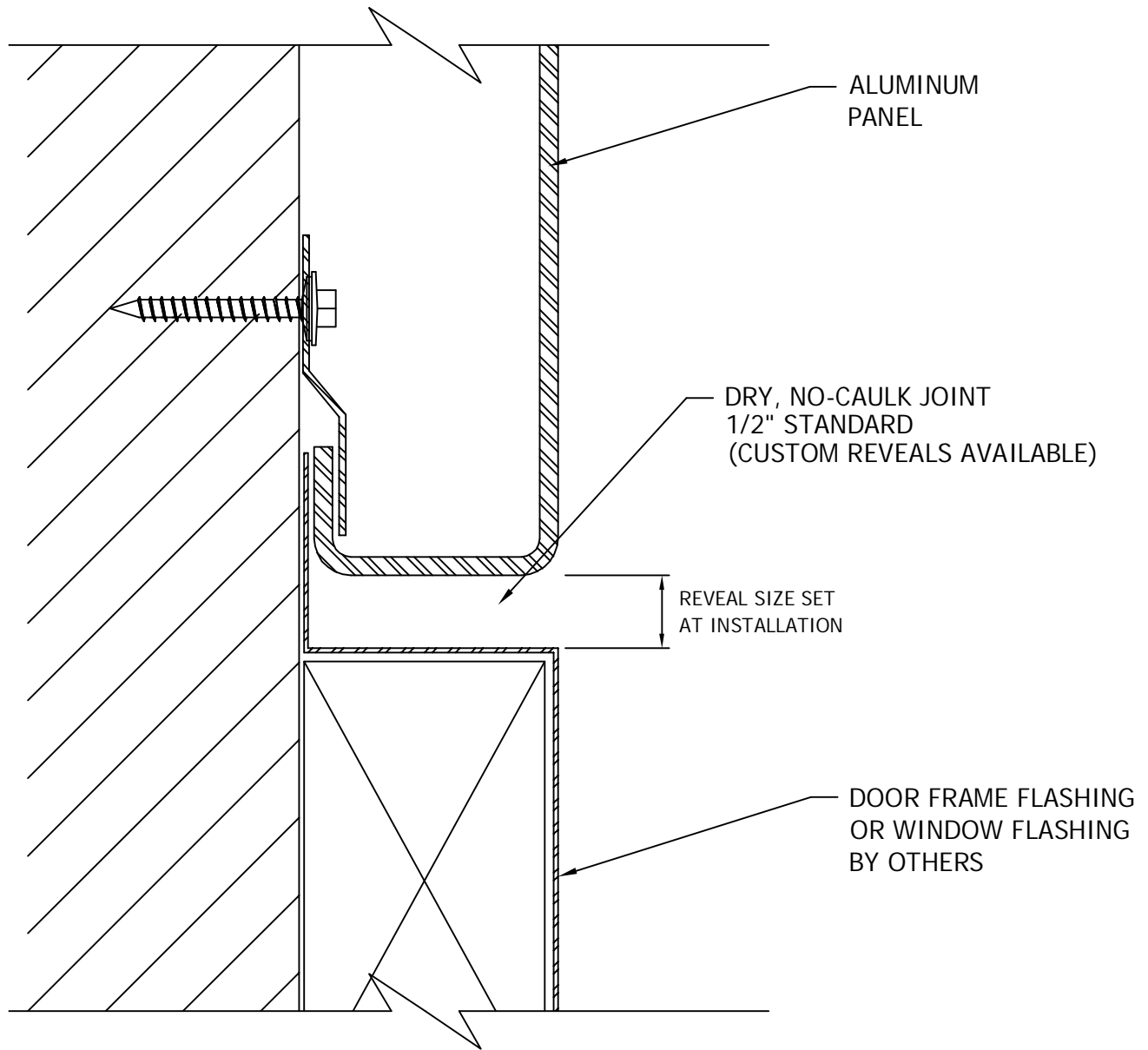
SCALE

NTS

REVISION

12.02.09

D2-B



DETAILS DEPICT STANDARD CONDITIONS. CONTACT HICKMAN ENGINEERING FOR CUSTOM DETAILS.

HICKMAN[®]
The Leading Edge[®] Since 1945

W.P. Hickman Company
9 Hickman Drive, P.O. Box 15005
Asheville, NC 28813
(828) 274-4000 Fax (828) 274-4031

CAULK FREE PANEL DESIGN
WINDOW/DOOR FRAME JOINT DETAIL

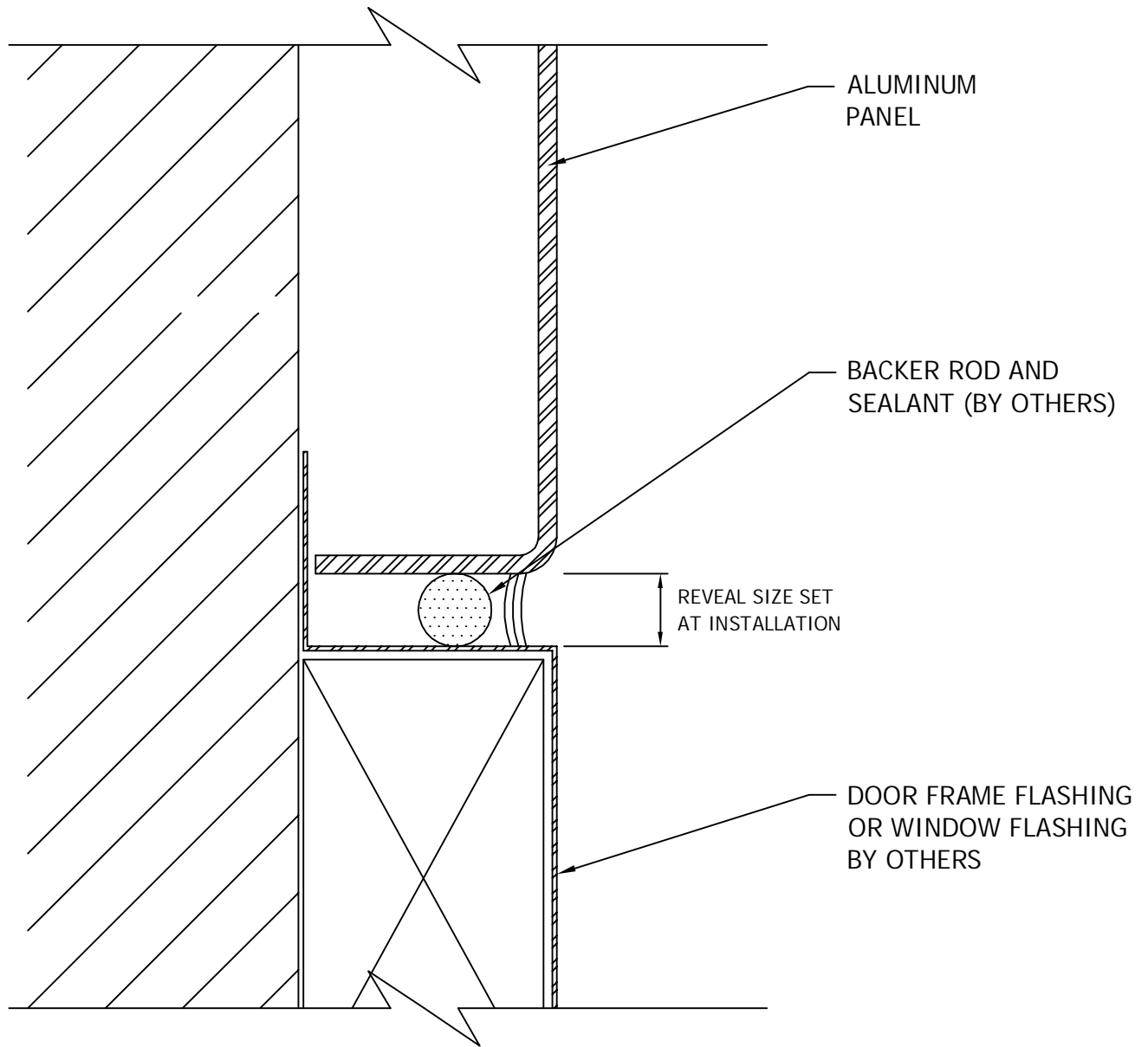
SCALE

NTS

REVISION

12.02.09

E1



DETAILS DEPICT STANDARD CONDITIONS. CONTACT HICKMAN ENGINEERING FOR CUSTOM DETAILS.

HICKMAN[®]
The Leading Edge[®] Since 1945

W.P. Hickman Company
9 Hickman Drive, P.O. Box 15005
Asheville, NC 28813
(828) 274-4000 Fax (828) 274-4031

CAULKED JOINT PANEL DESIGN
WINDOW/DOOR FRAME JOINT DETAIL

SCALE

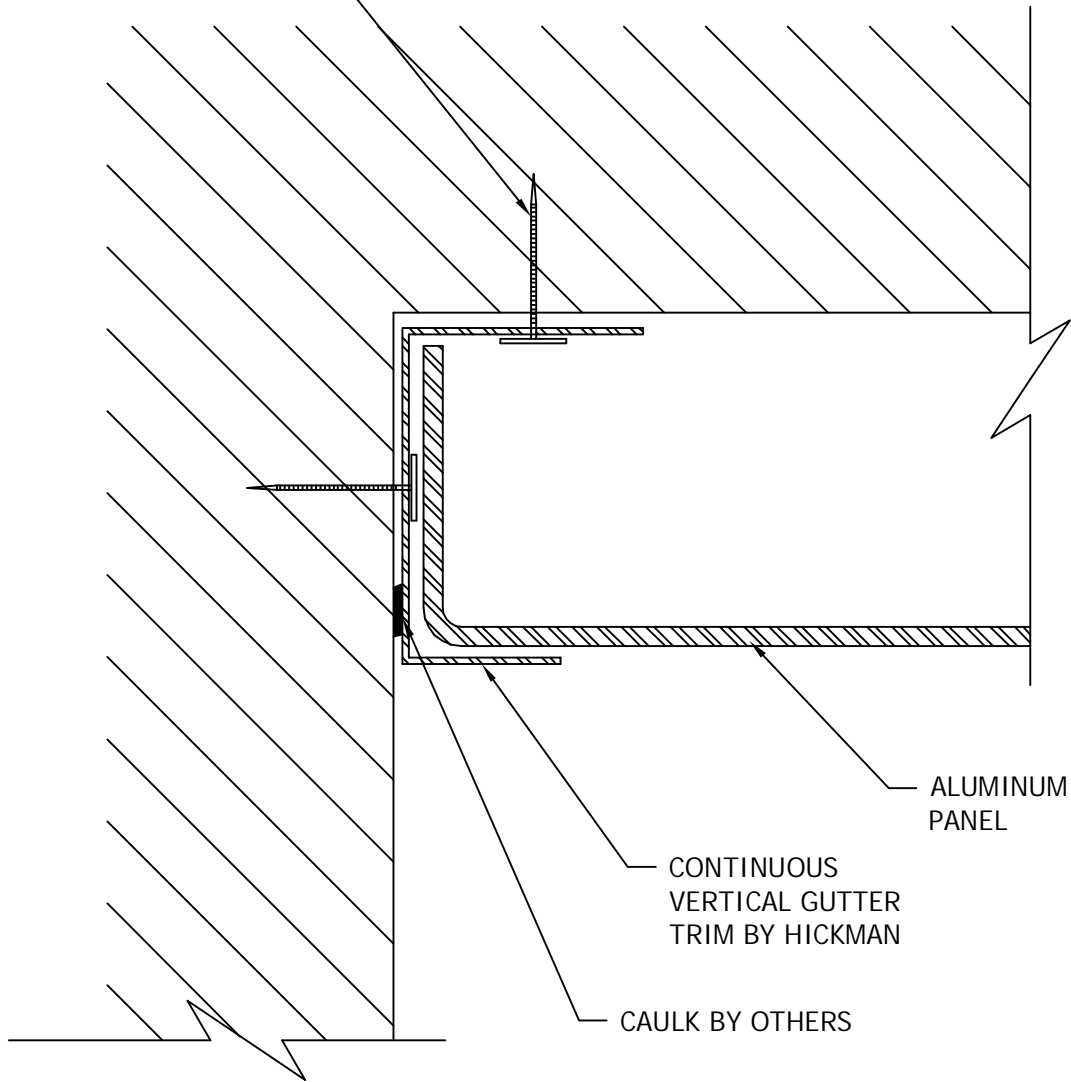
NTS

REVISION

12.02.09

E2

S.S. RING SHANK
NAIL BY HICKMAN



ALUMINUM
PANEL

CONTINUOUS
VERTICAL GUTTER
TRIM BY HICKMAN

CAULK BY OTHERS

DETAILS DEPICT STANDARD CONDITIONS. CONTACT HICKMAN ENGINEERING FOR CUSTOM DETAILS.

HICKMAN[®]
The Leading Edge[®] Since 1945

W.P. Hickman Company
9 Hickman Drive, P.O. Box 15005
Asheville, NC 28813
(828) 274-4000 Fax (828) 274-4031

CAULK FREE PANEL DESIGN

TYPICAL JAMB DETAIL

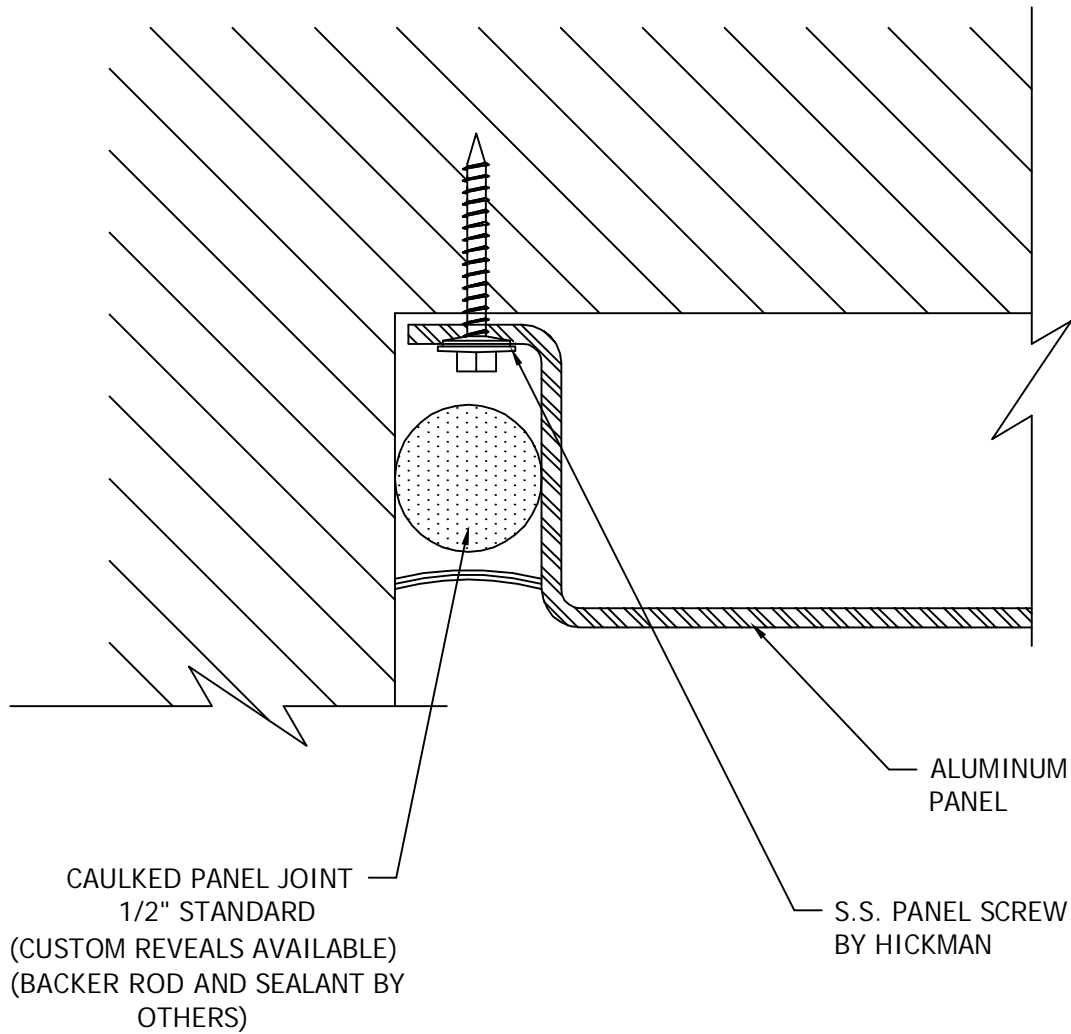
SCALE

NTS

REVISION

12.02.09

F1



DETAILS DEPICT STANDARD CONDITIONS. CONTACT HICKMAN ENGINEERING FOR CUSTOM DETAILS.

HICKMAN[®]
The Leading Edge[®] Since 1945

W.P. Hickman Company
9 Hickman Drive, P.O. Box 15005
Asheville, NC 28813
(828) 274-4000 Fax (828) 274-4031

CAULKED JOINT PANEL DESIGN
TYPICAL JAMB DETAIL

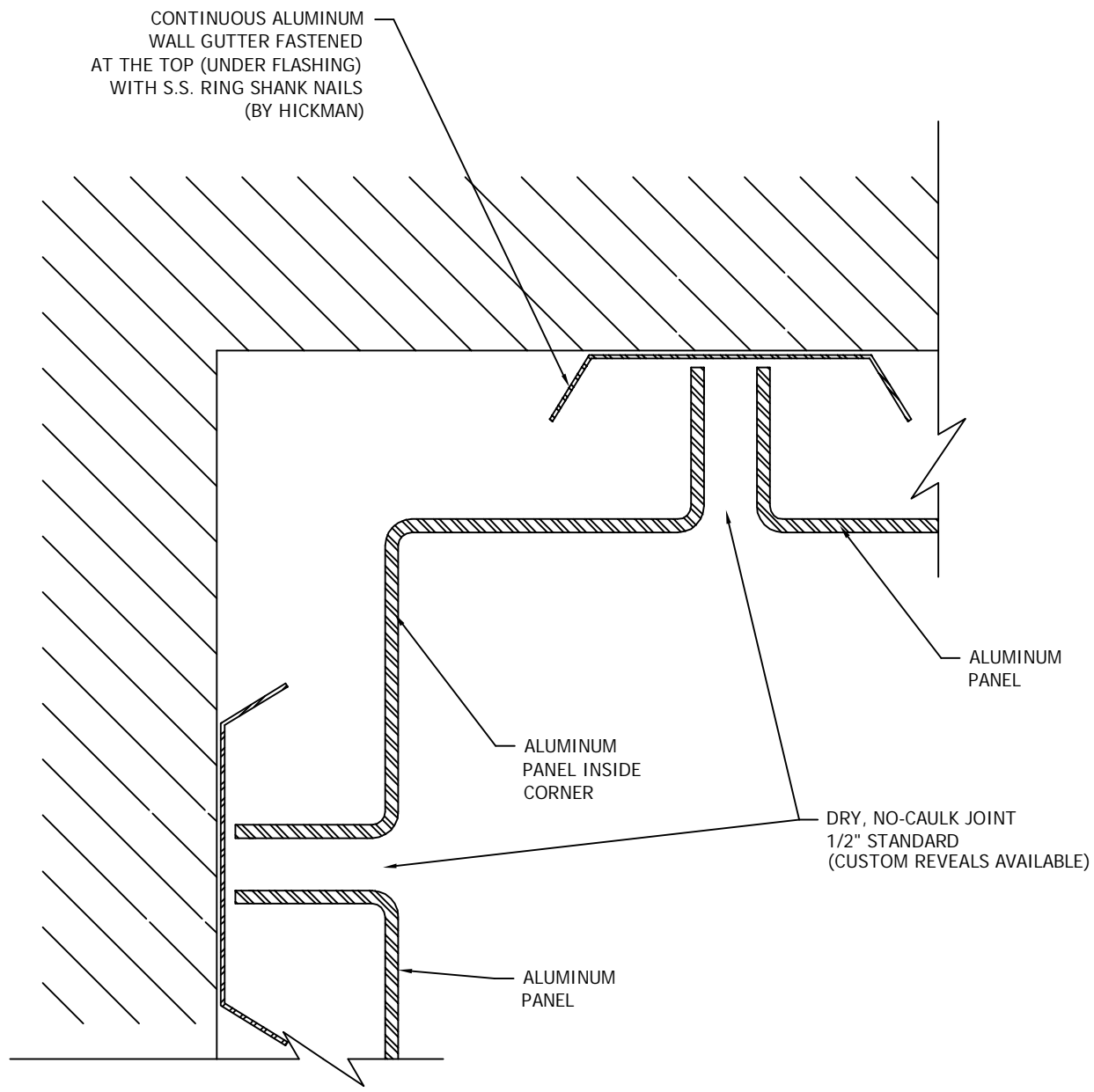
SCALE

NTS

REVISION

12.02.09

F2



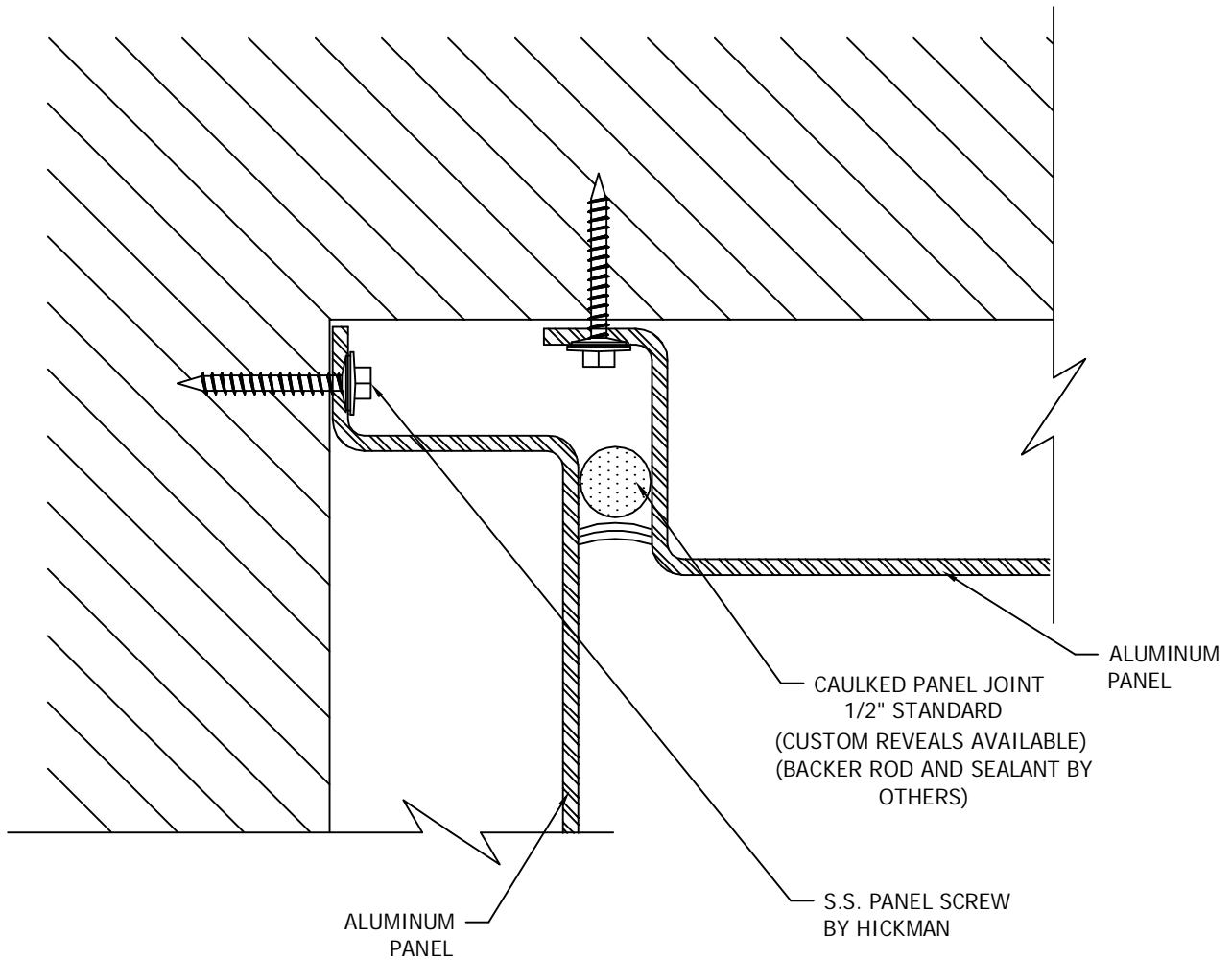
DETAILS DEPICT STANDARD CONDITIONS. CONTACT HICKMAN ENGINEERING FOR CUSTOM DETAILS.

HICKMAN[®]
The Leading Edge[®] Since 1945

W.P. Hickman Company
 9 Hickman Drive, P.O. Box 15005
 Asheville, NC 28813
 (828) 274-4000 Fax (828) 274-4031

CAULK FREE PANEL DESIGN
 INSIDE CORNER DETAIL

<u>SCALE</u>	<u>REVISION</u>		
NTS	12.02.09		G1



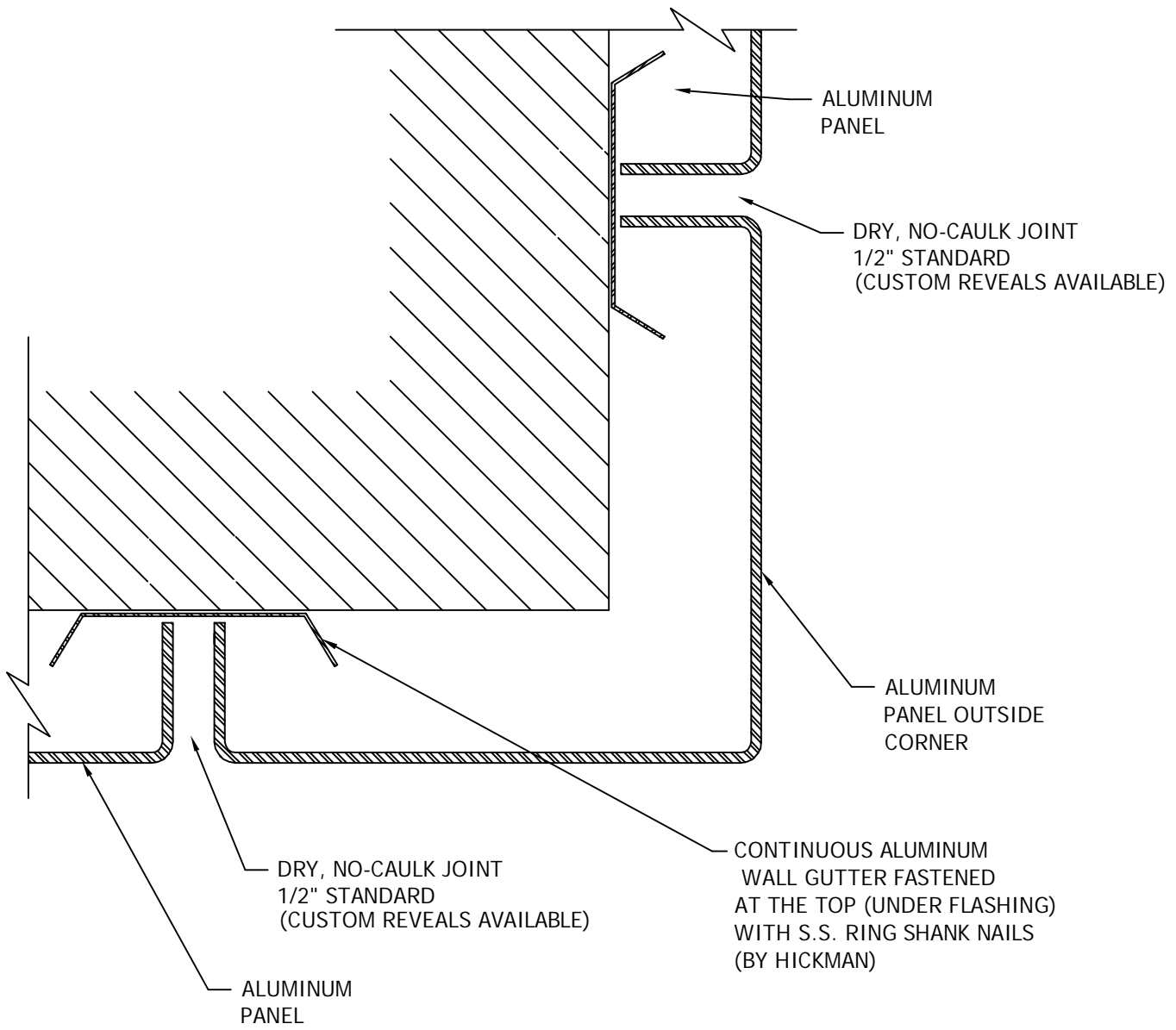
DETAILS DEPICT STANDARD CONDITIONS. CONTACT HICKMAN ENGINEERING FOR CUSTOM DETAILS.

HICKMAN[®]
The Leading Edge[®] Since 1945

W.P. Hickman Company
 9 Hickman Drive, P.O. Box 15005
 Asheville, NC 28813
 (828) 274-4000 Fax (828) 274-4031

CAULKED JOINT PANEL DESIGN
 INSIDE CORNER DETAIL

SCALE	REVISION		
NTS	12.02.09		G2



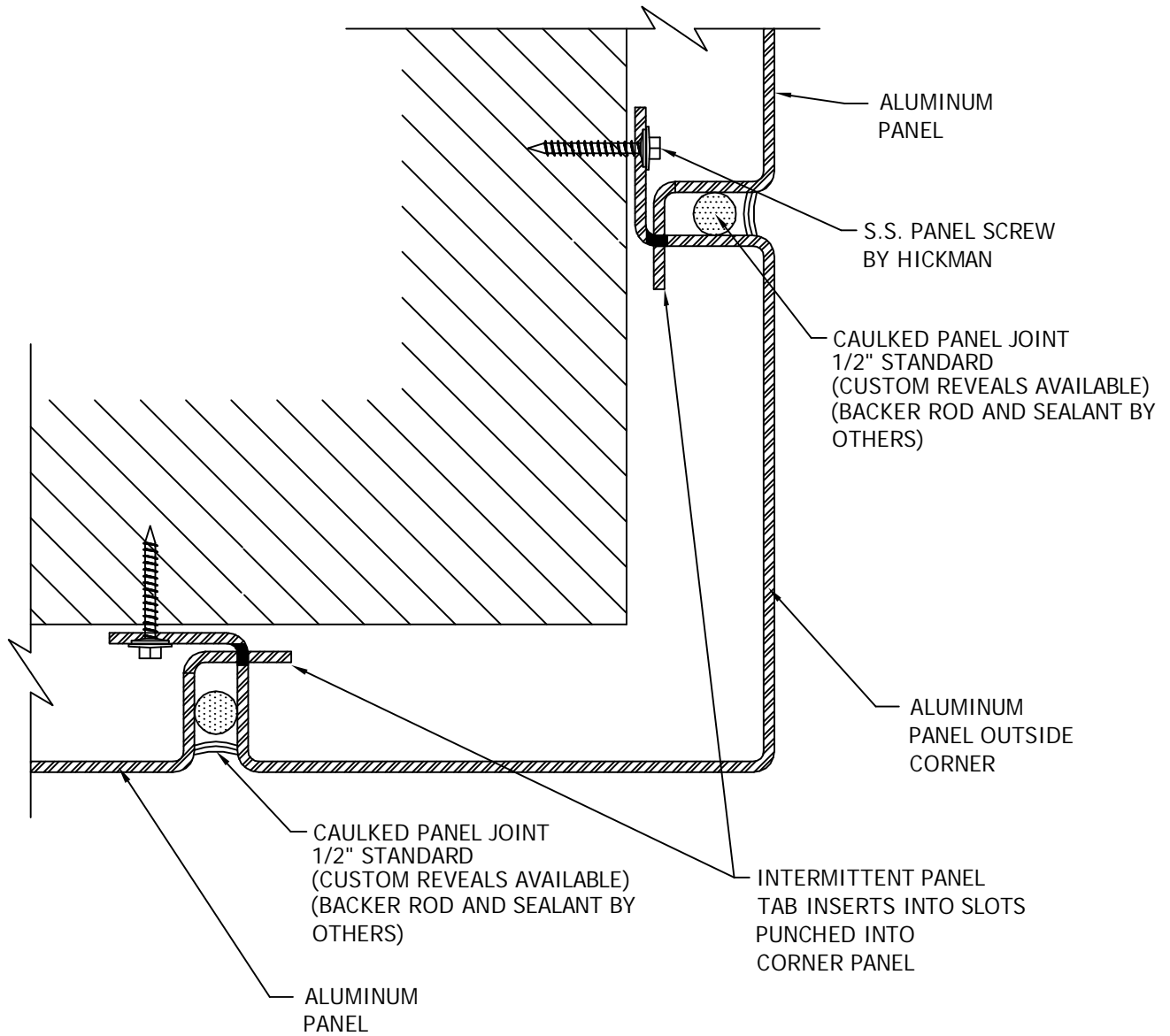
DETAILS DEPICT STANDARD CONDITIONS. CONTACT HICKMAN ENGINEERING FOR CUSTOM DETAILS.

HICKMAN[®]
The Leading Edge[®] Since 1945

W.P. Hickman Company
 9 Hickman Drive, P.O. Box 15005
 Asheville, NC 28813
 (828) 274-4000 Fax (828) 274-4031

CAULK FREE PANEL DESIGN
 OUTSIDE CORNER DETAIL

<u>SCALE</u>	<u>REVISION</u>		
NTS	12.02.09		H1



DETAILS DEPICT STANDARD CONDITIONS. CONTACT HICKMAN ENGINEERING FOR CUSTOM DETAILS.

HICKMAN[®]
The Leading Edge[®] Since 1945

W.P. Hickman Company
 9 Hickman Drive, P.O. Box 15005
 Asheville, NC 28813
 (828) 274-4000 Fax (828) 274-4031

CAULKED JOINT PANEL DESIGN
 OUTSIDE CORNER DETAIL

<u>SCALE</u>	<u>REVISION</u>		
NTS	12.02.09		H2