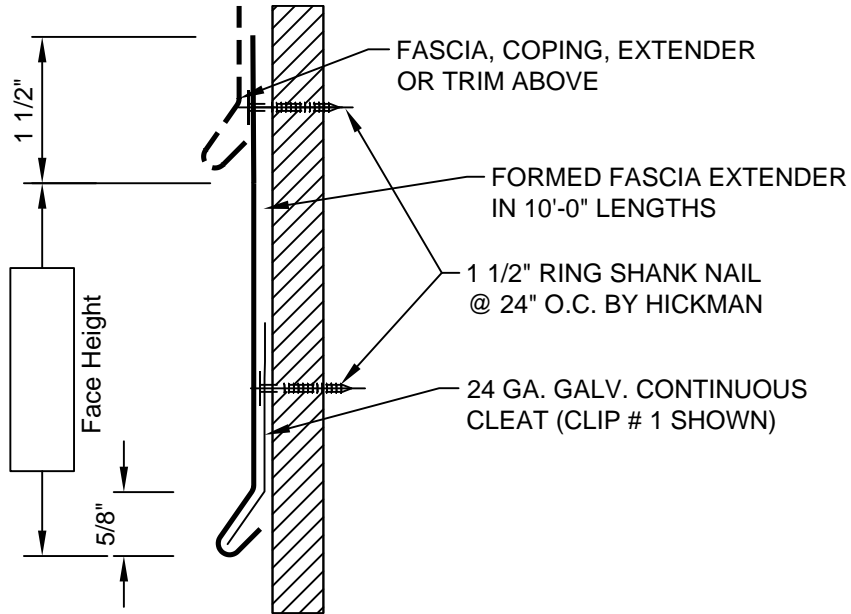


P.O. Box 15005  
800.892.9173  
www.wph.com

Asheville, NC 28813  
Fax: 828.274.4031



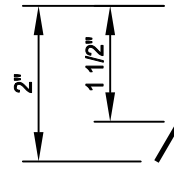
DETAIL:	ARCHITECTURAL REF:	DESCRIPTION:		
<b>QUANTITY, THIS DETAIL</b> _____ TOTAL LF _____ OUTSIDE CORNERS _____ INSIDE CORNERS _____ SPECIAL CORNERS (attach sketches) _____ END CAP - L _____ END CAP - R _____ RADIUS LF _____ RADIUS CORNERS (attach sketches)		<b>MATERIAL</b> <input type="checkbox"/> ALUMINUM <input type="checkbox"/> GALVANIZED <input type="checkbox"/> STAINLESS STEEL <input type="checkbox"/> _____  <b>THICKNESS</b> <input type="checkbox"/> .032 <input type="checkbox"/> .040 <input type="checkbox"/> .050 <input type="checkbox"/> .063 <input type="checkbox"/> .080 <input type="checkbox"/> 24 GA <input type="checkbox"/> _____	<b>CORNER TYPE</b> <input type="checkbox"/> WELDED CORNER <input type="checkbox"/> FOLDED CORNERS  * IF MITER TYPE IS NOT CHECKED, WE WILL ASSUME "FOLDED".	<b>FINISH</b> <input type="checkbox"/> MILL FINISH <input type="checkbox"/> PREFINISHED KYNAR <input type="checkbox"/> POST FINISHED KYNAR <input type="checkbox"/> PREFINISHED ANODIZE <input type="checkbox"/> POST FINISHED ANODIZE <input type="checkbox"/> _____  .063 PREFINISHED KYNAR IS ONLY AVAILABLE IN 7 STD. COLORS.  COLOR _____

<b>Transmittal</b> <input type="checkbox"/> REQUEST FOR QUOTATION <input type="checkbox"/> SUBMIT FOR APPROVAL <input type="checkbox"/> REQUEST FOR INFORMATION <input type="checkbox"/> CONFIRMING TELECONFERENCE <input type="checkbox"/> FOR YOUR FILES By _____ Date _____	<b>Customer Approval</b> <input type="checkbox"/> APPROVED FOR FABRICATION <input type="checkbox"/> APPROVED AS NOTED <input type="checkbox"/> AMEND & RESUBMIT  _____ Authorized Customer Signature  _____ Title Date
--	---

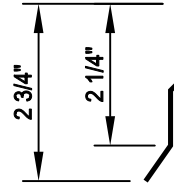
Job Name	Job #
Location	Sheet of
Customer	By
Representative	Date
Architect	

# Formed Fascia Extender w/o Offset

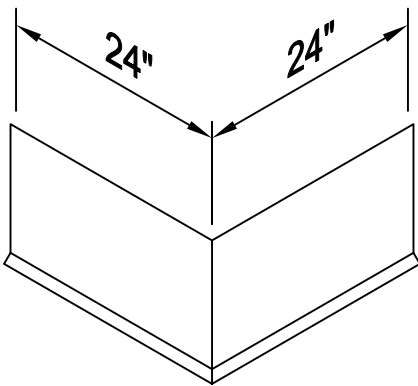
Extender Model	Face Height
	in.
E300	3
E450	4 1/2
E600	6
E800	8



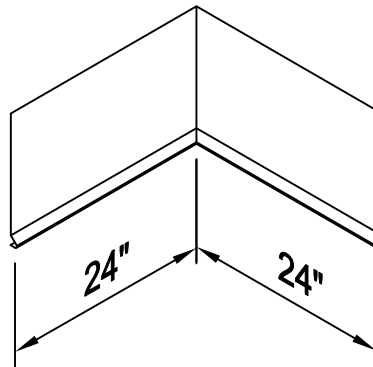
CLIP #1  
24 GA GALV STEEL  
10'-0 LENGTHS



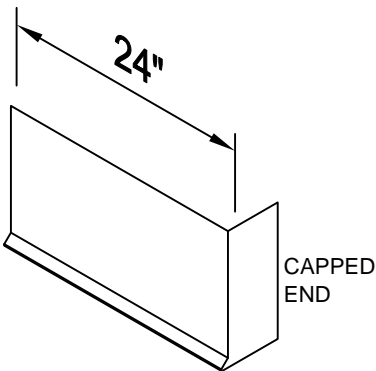
CLIP #2  
24 GA GALV STEEL  
10'-0 LENGTHS  
1/8" OFFSET



STD. OUTSIDE CORNER



STD. INSIDE CORNER



STD. ENDCAP  
RIGHT HAND SHOWN

STANDARD EXTENDER CORNERS ARE 90° - 24" X 24". STANDARD END CAPS ARE 24" LONG.

FOR SPECIAL CORNER REQUIREMENTS, ATTACH SKETCHES OR CONSULT MFR. FOR ASSISTANCE.

MINIMUM AND MAXIMUM SIZES ARE INDICATED. INTERMEDIATE SIZES MAY BE SPECIFIED WITHIN THESE RANGES. CONSULT MFR. FOR REQUIREMENTS NOT WITHIN THESE RANGES.

