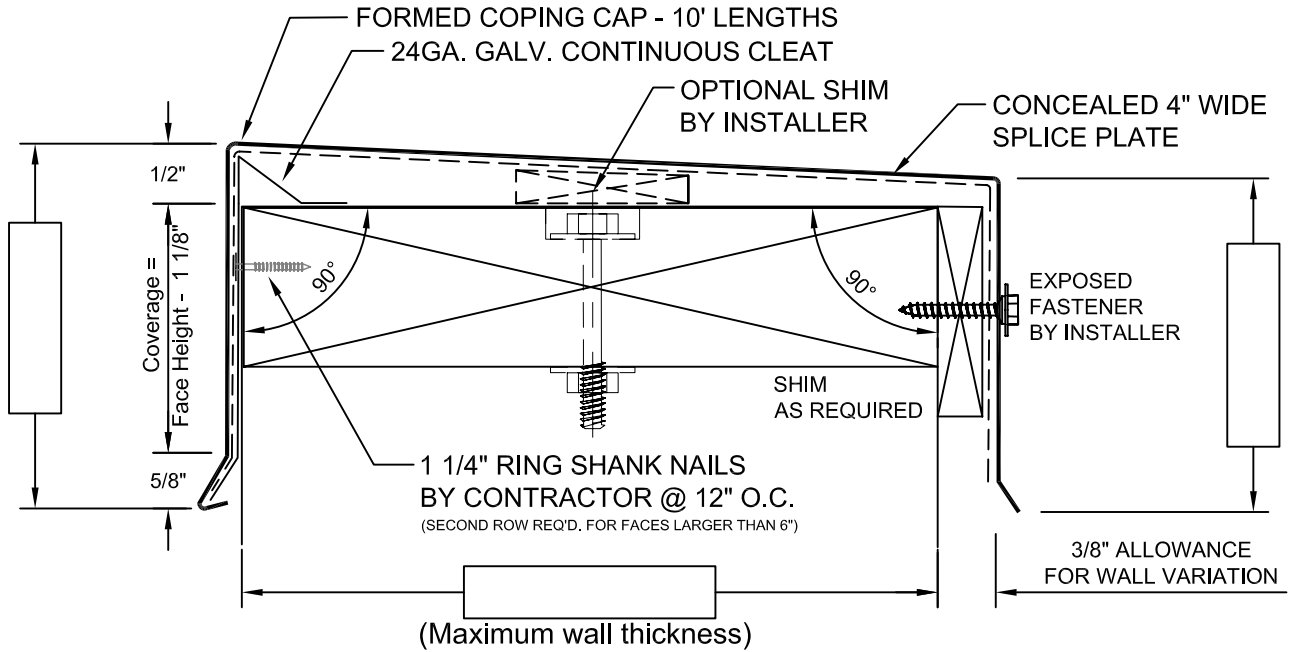


P.O. Box 15005
800.892.9173
www.wph.com

Asheville, NC 28813
Fax: 828.274.4031

**PLEASE NOTE THAT COPING MAY HAVE TO
BE SHIMMED BY INSTALLER TO PREVENT SAGGING.**

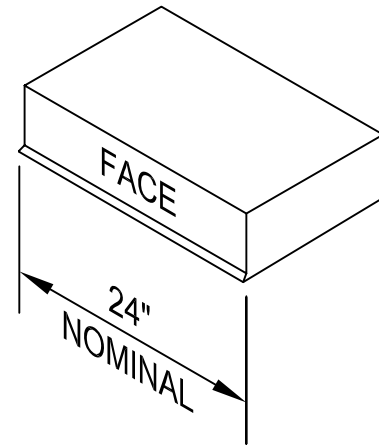


DETAIL:	ARCHITECTURAL REF:	DESCRIPTION:		
QUANTITY, THIS DETAIL _____ TOTAL LF _____ OUTSIDE CORNERS _____ INSIDE CORNERS _____ SPECIAL CORNERS (attach sketches) _____ END CAP - L _____ END CAP - R _____ END TERM - L _____ END TERM - R _____ RADIUS LF (60" PCS) _____ RADIUS CORNERS (attach sketches)		MATERIAL <input type="checkbox"/> ALUMINUM <input type="checkbox"/> GALVANIZED <input type="checkbox"/> STAINLESS STEEL <input type="checkbox"/> _____ THICKNESS <input type="checkbox"/> .040 <input type="checkbox"/> .050 <input type="checkbox"/> .063 <input type="checkbox"/> .080 <input type="checkbox"/> 24 GA <input type="checkbox"/> _____	ACCESSORY TYPE <input type="checkbox"/> WELDED <input type="checkbox"/> METAL-LOCK * IF ACCESSORY TYPE IS NOT CHECKED, WE WILL ASSUME "METAL-LOCK"	FINISH <input type="checkbox"/> MILL FINISH <input type="checkbox"/> PREFINISHED KYNAR <input type="checkbox"/> POST FINISHED KYNAR <input type="checkbox"/> PREFINISHED ANODIZE <input type="checkbox"/> POST FINISHED ANODIZE <input type="checkbox"/> _____ .063 PREFINISHED KYNAR IS ONLY AVAILABLE IN 7 STD. COLORS. COLOR _____
		Transmittal <input type="checkbox"/> REQUEST FOR QUOTATION <input type="checkbox"/> SUBMIT FOR APPROVAL <input type="checkbox"/> REQUEST FOR INFORMATION <input type="checkbox"/> CONFIRMING TELECONFERENCE <input type="checkbox"/> FOR YOUR FILES By _____ Date _____		
Job Name		Job #		
Location		Sheet of		
Customer		By		
Representative		Date		
Architect				

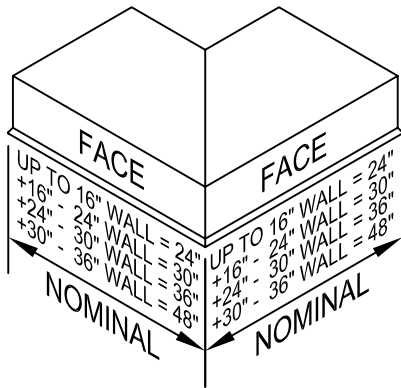
Custom Formed Coping

Wall Size	Face Height	Backleg Height
	in.	in.
Minimum = 3" Wall	2	1 1/2
Standard	4	4
* Maximum = 36" Wall	12	6

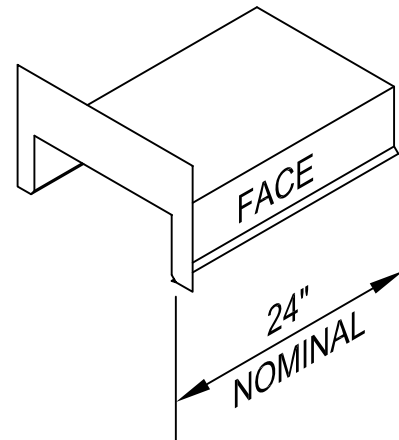
*** TOTAL STRETCH-OUT MUST NOT EXCEED 48"**



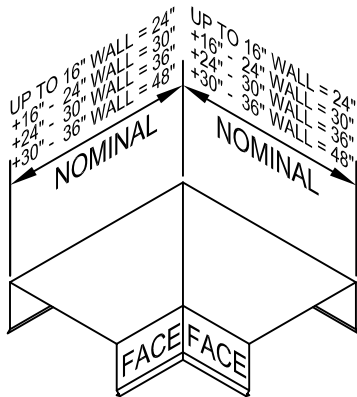
STD. ENDCAP
RIGHT HAND SHOWN



STD. OUTSIDE CORNER



STD. ENDTERM
LEFT HAND SHOWN

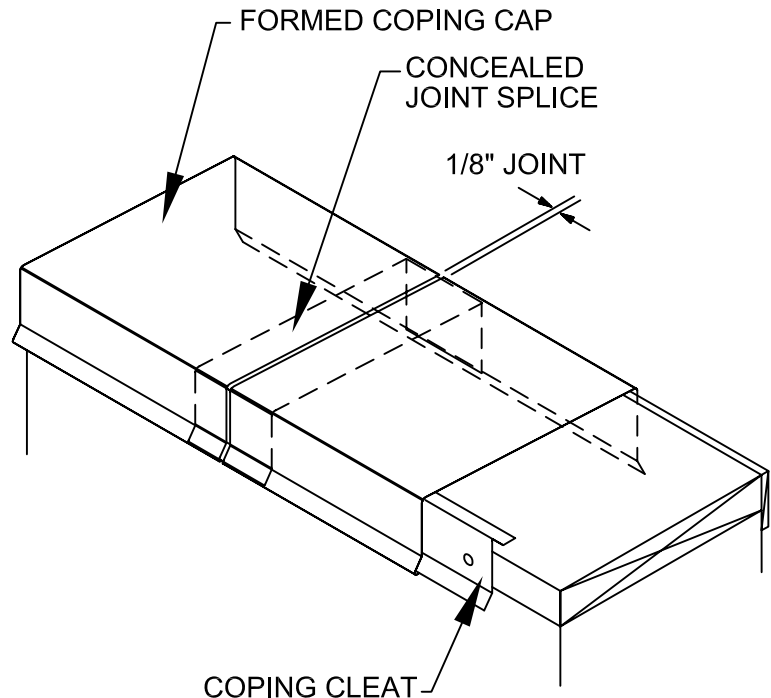


STD. INSIDE CORNER

STANDARD COPING CORNERS ARE LISTED ABOVE. STANDARD END CAPS ARE 24" LONG.

FOR SPECIAL CORNER REQUIREMENTS, ATTACH SKETCHES OR CONSULT MFR. FOR ASSISTANCE.

MINIMUM AND MAXIMUM SIZES ARE INDICATED. INTERMEDIATE SIZES MAY BE SPECIFIED WITHIN THESE RANGES. CONSULT MFR. FOR REQUIREMENTS NOT WITHIN THESE RANGES. WHEN FACE SIZE EXCEEDS 6", ADDITIONAL FASTENERS ARE REQUIRED ON FACE OF CLIP.



W.P. HICKMAN COMPANY
P.O. BOX 15005 ASHEVILLE, NC 28813
(828) 274-4000 FAX (828) 274-4031