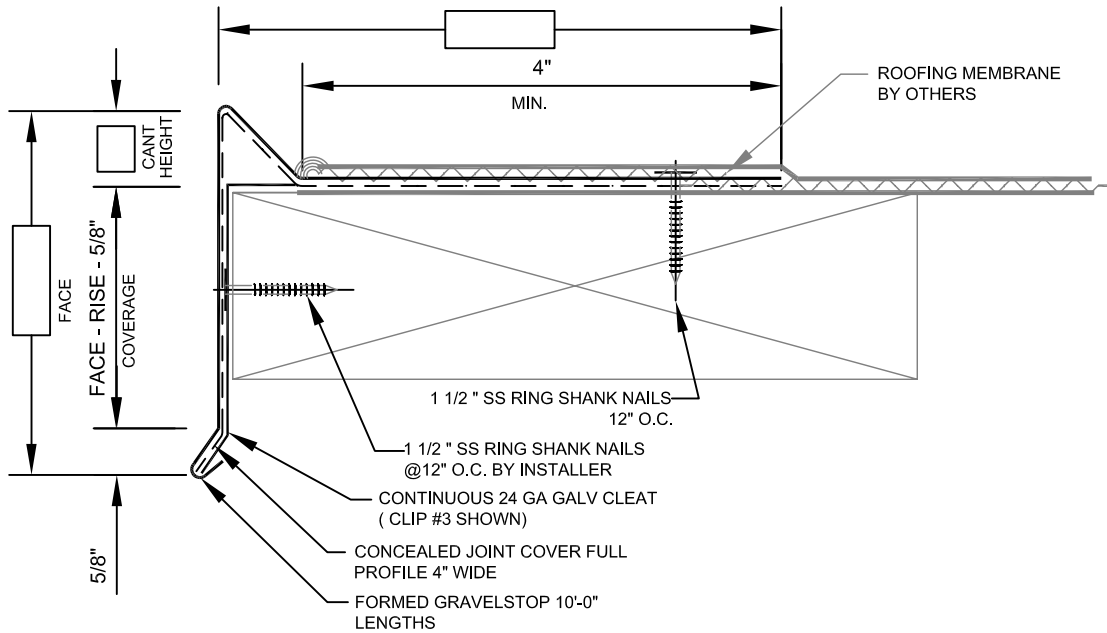


* Please contact Hickman for verification of test report data on your specific project



DETAIL:	ARCHITECTURAL REF:	DESCRIPTION:		
QUANTITY, THIS DETAIL _____ TOTAL LF _____ OUTSIDE CORNERS _____ INSIDE CORNERS _____ SPECIAL CORNERS (attach sketches) _____ END CAP - L _____ END CAP - R _____ END TERM - L _____ END TERM - R _____ RADIUS LF _____ RADIUS CORNERS (attach sketches)		MATERIAL <input type="checkbox"/> ALUMINUM <input type="checkbox"/> GALVANIZED <input type="checkbox"/> STAINLESS STEEL <input type="checkbox"/> _____	ACCESSORY TYPE <input type="checkbox"/> WELDED	FINISH <input type="checkbox"/> MILL FINISH <input type="checkbox"/> PREFINISHED KYNAR <input type="checkbox"/> POST FINISHED KYNAR <input type="checkbox"/> PREFINISHED ANODIZE <input type="checkbox"/> POST FINISHED ANODIZE <input type="checkbox"/> _____ .063 PREFINISHED KYNAR IS ONLY AVAILABLE IN 7 STD. COLORS.
		THICKNESS <input type="checkbox"/> .032 <input type="checkbox"/> .040 <input type="checkbox"/> .050 <input type="checkbox"/> .063 <input type="checkbox"/> .080 <input type="checkbox"/> 24 GA <input type="checkbox"/> _____	COLOR _____	

Transmittal <input type="checkbox"/> REQUEST FOR QUOTATION <input type="checkbox"/> SUBMIT FOR APPROVAL <input type="checkbox"/> REQUEST FOR INFORMATION <input type="checkbox"/> CONFIRMING TELECONFERENCE <input type="checkbox"/> FOR YOUR FILES By _____ Date _____	Customer Approval <input type="checkbox"/> APPROVED FOR FABRICATION <input type="checkbox"/> APPROVED AS NOTED <input type="checkbox"/> AMEND & RESUBMIT _____ Authorized Customer Signature _____ Title _____ Date _____
--	--

Job Name	Job #
Location	Sheet of
Customer	By
Representative	Date
Architect	

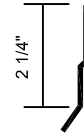
Formed Gravelstop

CLEAT OPTIONS

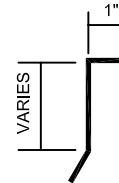
	Face Height	Deck Flange	Cant Height
	in.	in.	in.
MINIMUM	2 1/2	4 1/2	1/2
STANDARD	4	5	1
MAXIMUM	12	8	3



CLIP 1
24 GA GALV STEEL
10'-0" LENGTHS



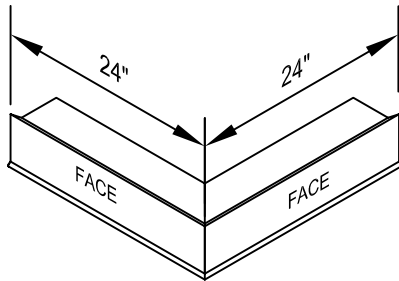
CLIP 2
24 GA GALV STEEL
10'-0" LENGTHS
1/8" OFFSET



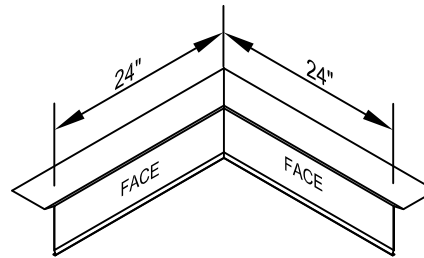
CLIP 3
24 GA GALV STEEL
10'-0" LENGTHS

NOTES:

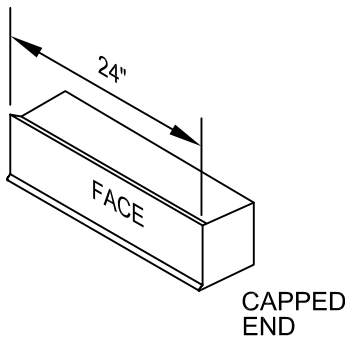
- HOLES IN EACH CLEAT ARE 12" O.C
- CLIP STYLE #3 IS ONLY AVAILABLE FOR FACES 6" OR SMALLER



STD. OUTSIDE CORNER



STD. INSIDE CORNER



STD. END CAP
RIGHT HAND SHOWN

STANDARD FASCIA CORNERS ARE 90° - 24" X 24". STANDARD END CAPS ARE 24" LONG.

FOR SPECIAL CORNER REQUIREMENTS, ATTACH SKETCHES OR CONSULT MFR. FOR ASSISTANCE.

MINIMUM AND MAXIMUM SIZES ARE INDICATED. INTERMEDIATE SIZES MAY BE SPECIFIED WITHIN THESE RANGES. CONSULT MFR. FOR REQUIREMENTS NOT WITHIN THESE RANGES. WHEN FACE SIZE EXCEEDS 6", ADDITIONAL FASTENERS ARE REQUIRED ON FACE OF RETAINER CLEAT.

