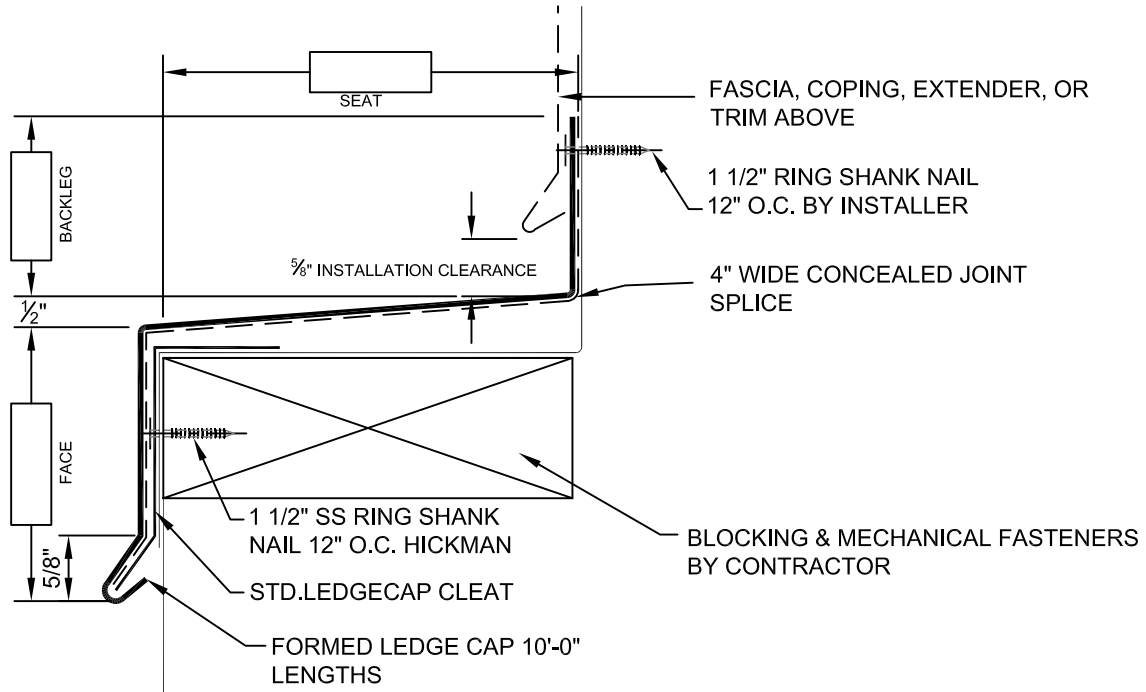


P.O. Box 15005  
800.892.9173  
www.wph.com

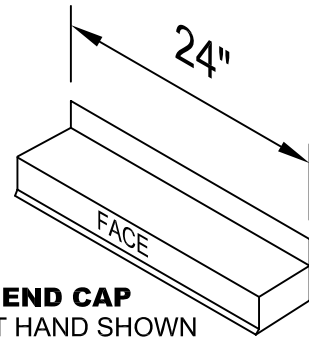
Asheville, NC 28813  
Fax: 828.274.4031



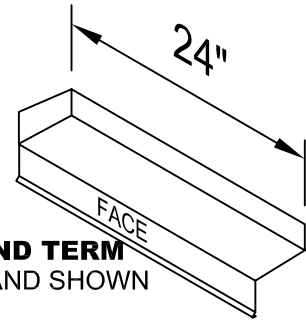
|   |                           |  |  |  |
|---|---------------------------|--|--|--|
| <b>DETAIL:</b>  | <b>ARCHITECTURAL REF:</b> | <b>DESCRIPTION:</b>  |  |  |
| <b>QUANTITY, THIS DETAIL</b><br>_____ TOTAL LF<br>_____ OUTSIDE CORNERS<br>_____ INSIDE CORNERS<br>_____ SPECIAL CORNERS (attach sketches)<br>_____ END CAP - L<br>_____ END CAP - R<br>_____ END TERM - L<br>_____ END TERM - R<br>_____ RADIUS LF (60" PCS)<br>_____ RADIUS CORNERS (attach sketches) |                           | <b>MATERIAL</b><br><input type="checkbox"/> ALUMINUM<br><input type="checkbox"/> GALVANIZED<br><input type="checkbox"/> STAINLESS STEEL<br><input type="checkbox"/> _____  | <b>ACCESSORY TYPE</b><br><input type="checkbox"/> WELDED<br><b>METAL-LOCK IS NOT AN OPTION FOR LEDGE CAP</b> | <b>FINISH</b><br><input type="checkbox"/> MILL FINISH<br><input type="checkbox"/> PREFINISHED KYNAR<br><input type="checkbox"/> POST FINISHED KYNAR<br><input type="checkbox"/> PREFINISHED ANODIZE<br><input type="checkbox"/> POST FINISHED ANODIZE<br><input type="checkbox"/> _____<br><b>.063 PREFINISHED KYNAR IS ONLY AVAILABLE IN 7 STD. COLORS.</b> |
|   |                           | <b>THICKNESS</b><br><input type="checkbox"/> .040<br><input type="checkbox"/> .050<br><input type="checkbox"/> .063<br><input type="checkbox"/> .080<br><input type="checkbox"/> 24 GA<br><input type="checkbox"/> _____   | <b>COLOR</b> _____   |  |
| <b>Transmittal</b><br><input type="checkbox"/> REQUEST FOR QUOTATION<br><input type="checkbox"/> SUBMIT FOR APPROVAL<br><input type="checkbox"/> REQUEST FOR INFORMATION<br><input type="checkbox"/> CONFIRMING TELECONFERENCE<br><input type="checkbox"/> FOR YOUR FILES<br>By _____ Date _____        |                           | <b>Customer Approval</b><br><input type="checkbox"/> APPROVED FOR FABRICATION<br><input type="checkbox"/> APPROVED AS NOTED<br><input type="checkbox"/> AMEND & RESUBMIT<br>_____<br><b>Authorized Customer Signature</b><br>_____<br><b>Title</b> _____ <b>Date</b> _____ |  |  |
| <b>Job Name</b>   |                           | <b>Job #</b>   |  |  |
| <b>Location</b>   |                           | <b>Sheet of</b>  |  |  |
| <b>Customer</b>   |                           | <b>By</b>  |  |  |
| <b>Representative</b>   |                           | <b>Date</b>  |  |  |
| <b>Architect</b>  |                           |  |  |  |

# Formed Ledge Cap

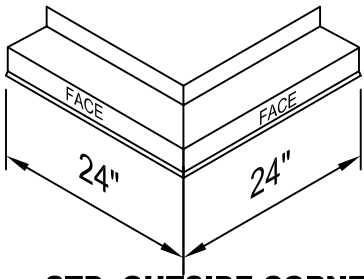
| Model   | Standard Face<br>in. | Standard Seat<br>in. | Standard Back Leg<br>in. |
|---------|----------------------|----------------------|--------------------------|
| BC-400  | 3 1/2                | 4                    | 1 1/2                    |
| BC-600  | 3 1/2                | 6                    | 1 1/2                    |
| BC-800  | 3 1/2                | 8                    | 1 1/2                    |
| BC-1000 | 3 1/2                | 10                   | 1 1/2                    |
| MIN.    | 1 1/2                | 1 1/2                | 1 1/2                    |
| MAX.    | 6                    | 16                   | 8                        |



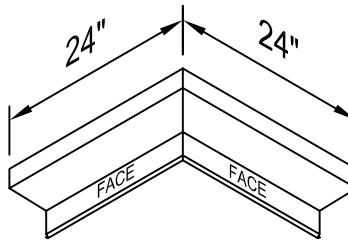
**STD. END CAP**  
RIGHT HAND SHOWN



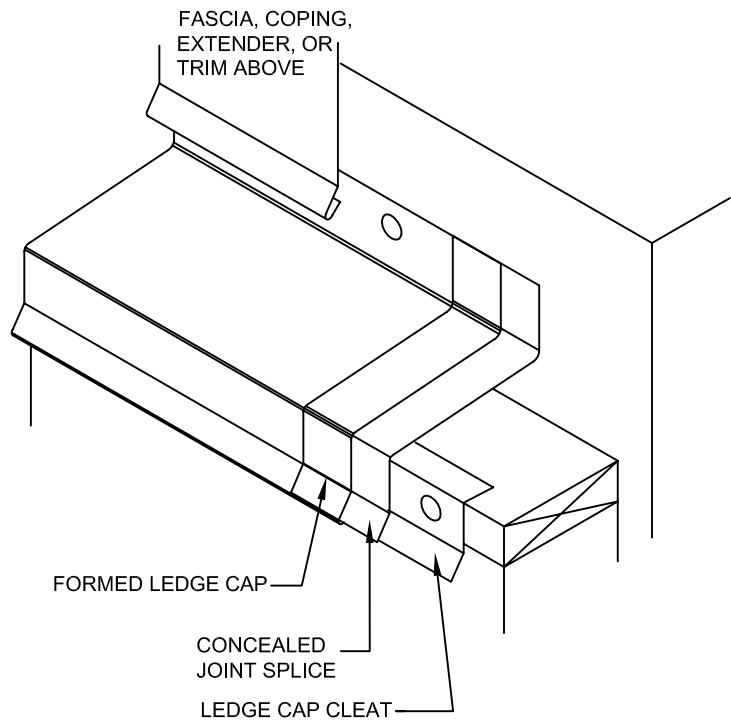
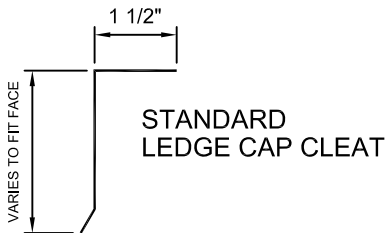
**STD. END TERM**  
LEFT HAND SHOWN



**STD. OUTSIDE CORNER**



**STD. INSIDE CORNER**



STANDARD LEDGE CAP CORNERS ARE 90° - 24" X 24". STANDARD END CAPS ARE 24" LONG.

FOR SPECIAL CORNER REQUIREMENTS, ATTACH SKETCHES OR CONSULT MFR. FOR ASSISTANCE.

MINIMUM AND MAXIMUM SIZES ARE INDICATED. INTERMEDIATE SIZES MAY BE SPECIFIED WITHIN THESE RANGES. CONSULT MFR. FOR REQUIREMENTS NOT WITHIN THESE RANGES. WHEN FACE SIZE EXCEEDS 4", ADDITIONAL FASTENERS ARE REQUIRED ON FACE OF CLEAT.