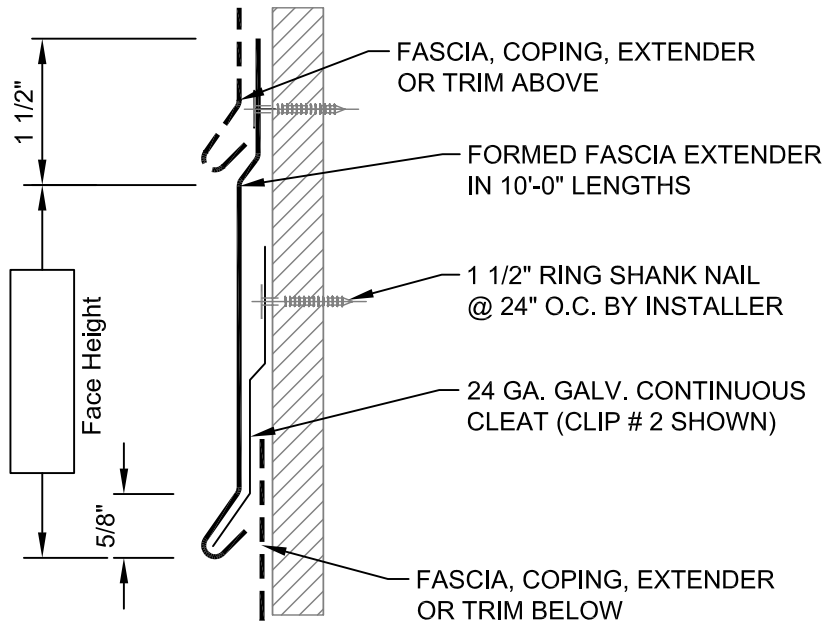


P.O. Box 15005
800.892.9173
www.wph.com

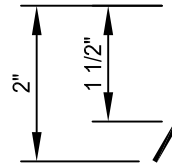
Asheville, NC 28813
Fax: 828.274.4031



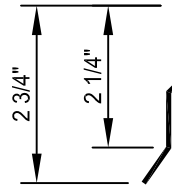
DETAIL:	ARCHITECTURAL REF:	DESCRIPTION:		
QUANTITY, THIS DETAIL _____ TOTAL LF _____ OUTSIDE CORNERS _____ INSIDE CORNERS _____ SPECIAL CORNERS (attach sketches) _____ END CAP - L _____ END CAP - R _____ RADIUS LF _____ RADIUS CORNERS (attach sketches)		MATERIAL <input type="checkbox"/> ALUMINUM <input type="checkbox"/> GALVANIZED <input type="checkbox"/> STAINLESS STEEL <input type="checkbox"/> _____ THICKNESS <input type="checkbox"/> .032 <input type="checkbox"/> .040 <input type="checkbox"/> .050 <input type="checkbox"/> .063 <input type="checkbox"/> .080 <input type="checkbox"/> 24 GA <input type="checkbox"/> _____	CORNER TYPE <input type="checkbox"/> WELDED CORNER <input type="checkbox"/> FOLDED CORNERS * IF MITER TYPE IS NOT CHECKED, WE WILL ASSUME "FOLDED".	FINISH <input type="checkbox"/> MILL FINISH <input type="checkbox"/> PREFINISHED KYNAR <input type="checkbox"/> POST FINISHED KYNAR <input type="checkbox"/> PREFINISHED ANODIZE <input type="checkbox"/> POST FINISHED ANODIZE <input type="checkbox"/> _____ .063 PREFINISHED KYNAR IS ONLY AVAILABLE IN 7 STD. COLORS. COLOR _____
Transmittal <input type="checkbox"/> REQUEST FOR QUOTATION <input type="checkbox"/> SUBMIT FOR APPROVAL <input type="checkbox"/> REQUEST FOR INFORMATION <input type="checkbox"/> CONFIRMING TELECONFERENCE <input type="checkbox"/> FOR YOUR FILES By _____ Date _____		Customer Approval <input type="checkbox"/> APPROVED FOR FABRICATION <input type="checkbox"/> APPROVED AS NOTED <input type="checkbox"/> AMEND & RESUBMIT _____ Authorized Customer Signature _____ Title _____ Date _____		
Job Name		Job #		
Location		Sheet of		
Customer		By		
Representative		Date		
Architect				

Formed Fascia Extender with Offset

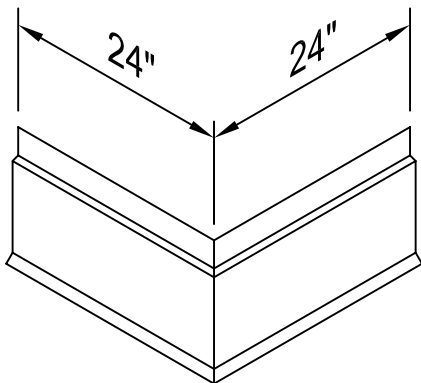
Extender Model	Face Height
	in.
E300/OFFSET	3
E450/OFFSET	4 1/2
E600/OFFSET	6
E800/OFFSET	8



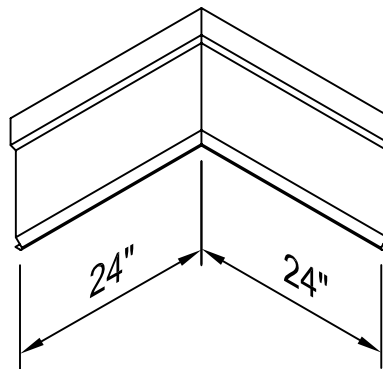
CLIP #1
24 GA GALV STEEL
10'-0 LENGTHS



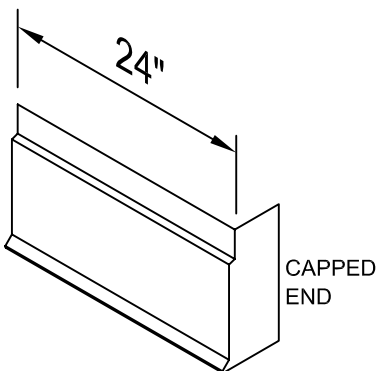
CLIP #2
24 GA GALV STEEL
10'-0 LENGTHS
1/8" OFFSET



STD. OUTSIDE CORNER



STD. INSIDE CORNER



STD. ENDCAP
RIGHT HAND SHOWN

STANDARD EXTENDER CORNERS ARE 90° - 24" X 24". STANDARD END CAPS ARE 24" LONG.

FOR SPECIAL CORNER REQUIREMENTS, ATTACH SKETCHES OR CONSULT MFR. FOR ASSISTANCE.

MINIMUM AND MAXIMUM SIZES ARE INDICATED. INTERMEDIATE SIZES MAY BE SPECIFIED WITHIN THESE RANGES. CONSULT MFR. FOR REQUIREMENTS NOT WITHIN THESE RANGES.

