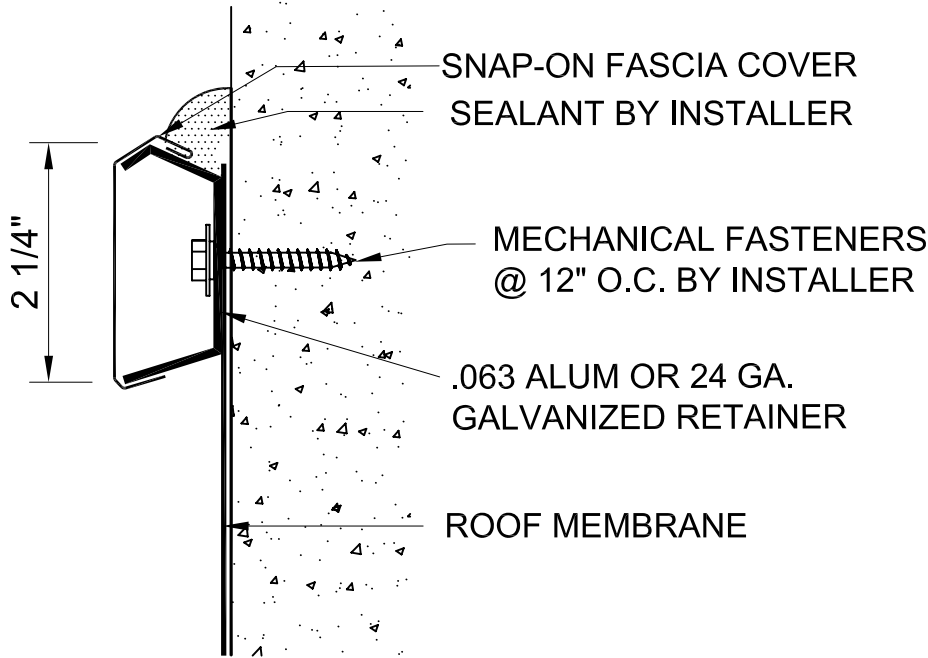


P.O. Box 15005  
800.892.9173  
www.wph.com

Asheville, NC 28813  
Fax: 828.274.4031



DETAIL:	ARCHITECTURAL REF:	DESCRIPTION:		
<b>QUANTITY, THIS DETAIL</b> _____ TOTAL LF	<b>MATERIAL</b> <input type="checkbox"/> ALUMINUM <input type="checkbox"/> GALVANIZED <input type="checkbox"/> _____	<b>CORNER TYPE</b> <b>FACTORY FABRICATED CORNERS ARE NOT AVAILABLE.</b>	<b>FINISH</b> <input type="checkbox"/> MILL FINISH <input type="checkbox"/> PREFINISHED KYNAR <input type="checkbox"/> POST FINISHED KYNAR <input type="checkbox"/> PREFINISHED ANODIZE <input type="checkbox"/> POST FINISHED ANODIZE <input type="checkbox"/> _____	
	<b>THICKNESS</b> <input type="checkbox"/> .032 <input type="checkbox"/> 24 GA <input type="checkbox"/> _____	<b>RETAINER GAUGE</b> <input type="checkbox"/> 24 GA. (STD.) <input type="checkbox"/> .063 ALUMINUM	<b>COLOR</b> _____	
<b>Transmittal</b> <input type="checkbox"/> REQUEST FOR QUOTATION <input type="checkbox"/> SUBMIT FOR APPROVAL <input type="checkbox"/> REQUEST FOR INFORMATION <input type="checkbox"/> CONFIRMING TELECONFERENCE <input type="checkbox"/> FOR YOUR FILES By _____ Date _____		<b>Customer Approval</b> <input type="checkbox"/> APPROVED FOR FABRICATION <input type="checkbox"/> APPROVED AS NOTED <input type="checkbox"/> AMEND & RESUBMIT _____ <b>Authorized Customer Signature</b> _____ <b>Title</b> _____ <b>Date</b> _____		
<b>Job Name</b>		<b>Job #</b>		
<b>Location</b>		<b>Sheet of</b>		
<b>Customer</b>		<b>By</b>		
<b>Representative</b>		<b>Date</b>		
<b>Architect</b>				