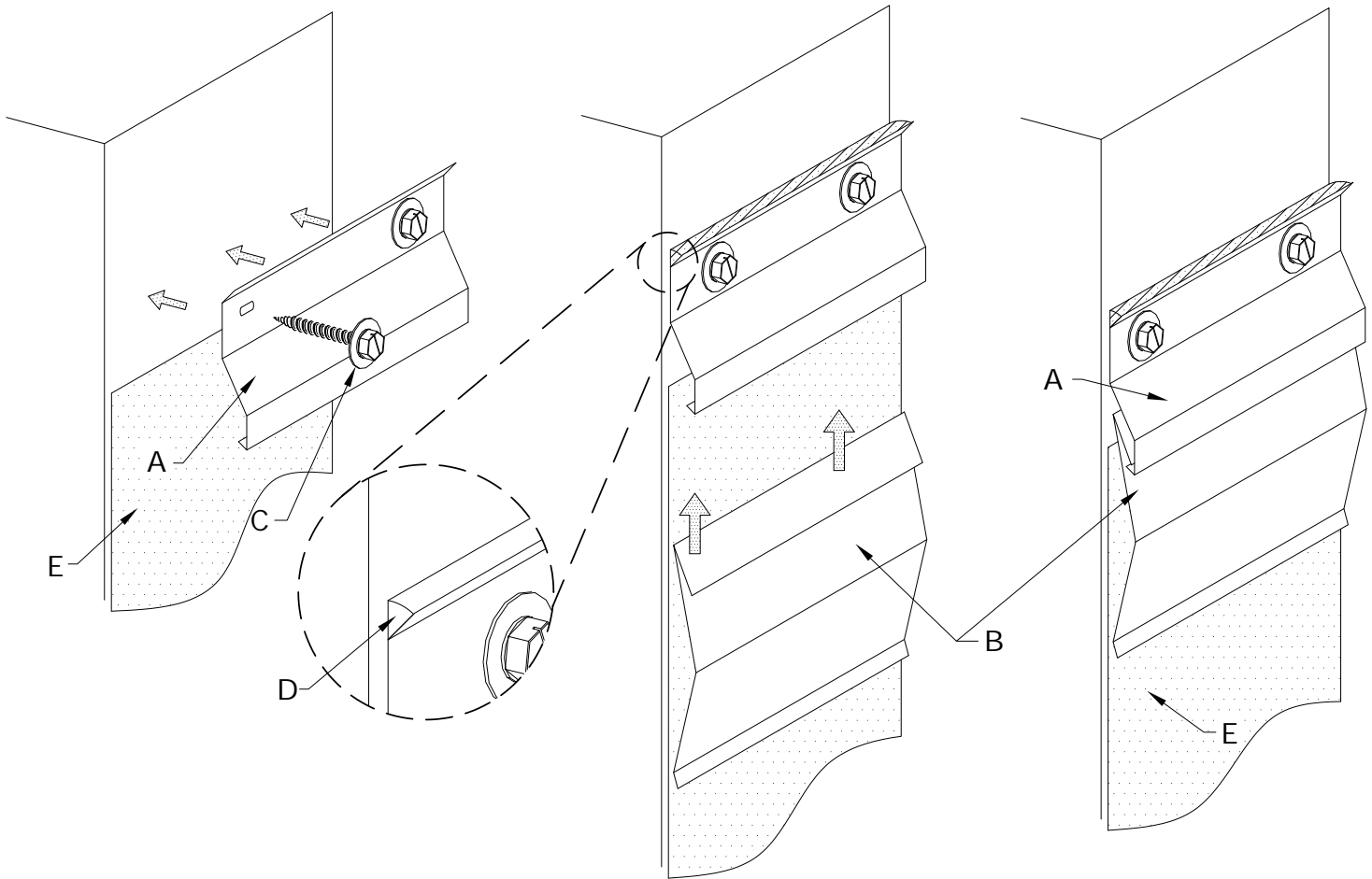
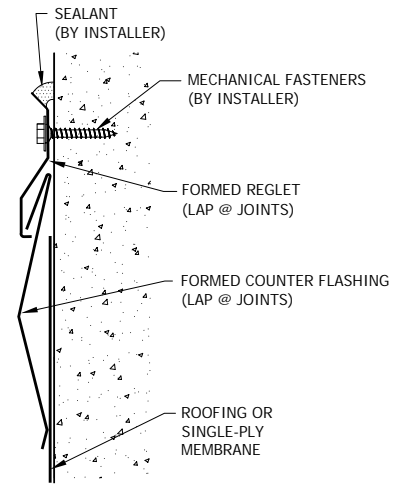


Installation Guide for Drive-Lock Reglet

NOTES:

#1 - Isolate all metal parts from ACQ treated wood or other galvanically incompatible material with appropriate membrane material.
 #2 - Appliance attachments, such as lightning rods, signs, or antennae that penetrate the water seal, induce a galvanic reaction, or otherwise compromise the effectiveness of the roof edge system, shall be eliminated or isolated to prevent problems per section 8.0 of ANSI/SPRI ES-1. It is recommended that appliances be isolated from or not attached to the roof edge system. Consult the lightning protection system manufacturer for specific attachment instructions.



A. Formed Reglet
 10'-0" Lengths

B. Formed Counter Flashing
 10'-0" Lengths

C. Mechanical Fasteners
 at 12" o.c. (6" from ends)
 (By Installer)

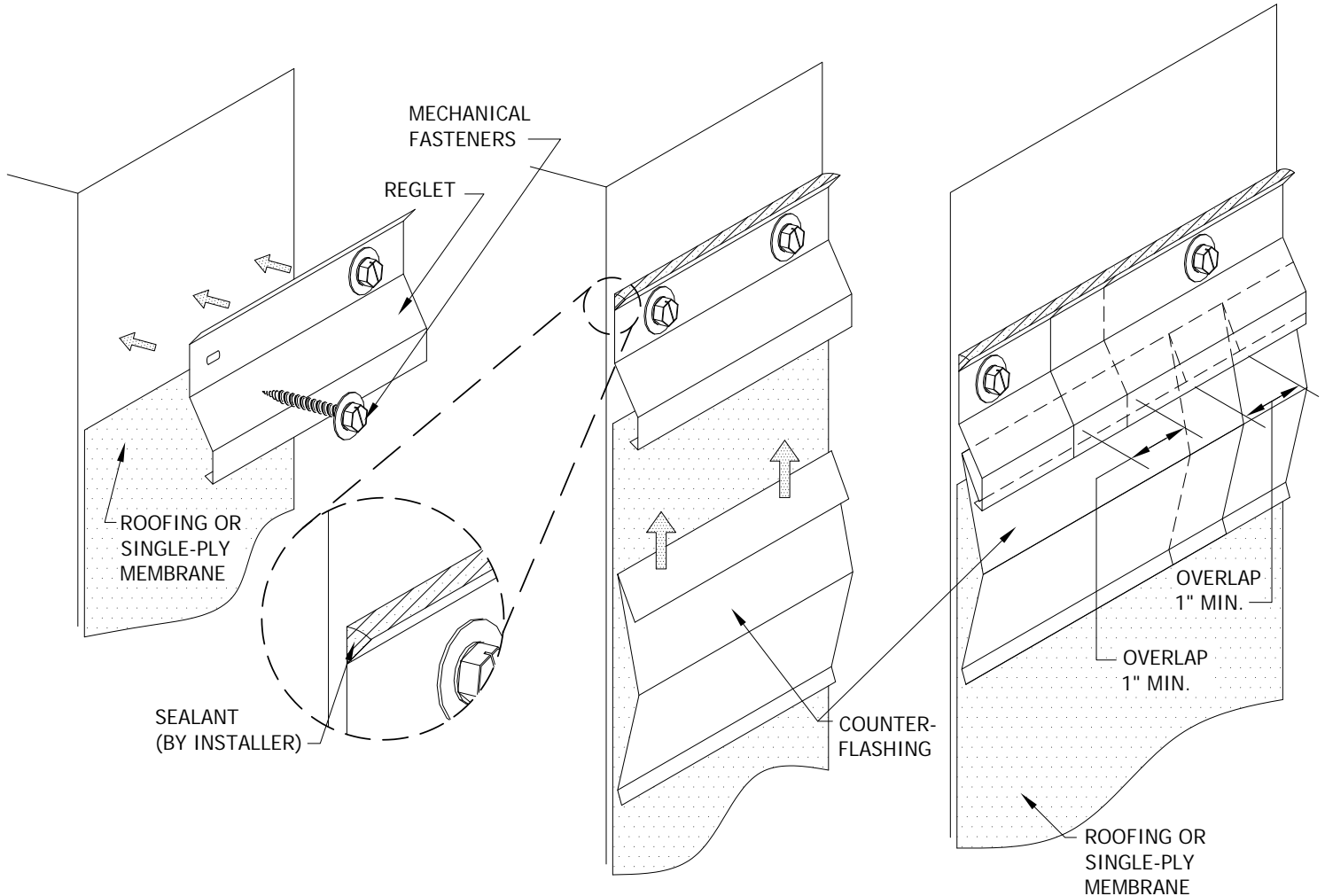
D. Sealant
 Continuous Bead of Sealant, 3/8" Wide
 (By Installer)

E. Roofing or Single-Ply Membrane
 (By Installer)

W.P. HICKMAN COMPANY

P.O. BOX 15005 - 9 Hickman Drive - Asheville, NC. 28803 - Phone: (828) 274-4000 - Fax: (828) 274-4031

www.wph.com



STEP 1: Installation of Reglet

Ensure that roofing membrane is continued up the side wall a min. of 18". Set the reglet over membrane. Attach using the mechanical fasteners (by installer). Locate fasteners in each pre-punched holes. Be sure to overlap each adjoining piece of reglet a min. of 1" to allow for thermal expansion.

STEP 2: Installation of Counter Flashing

Locate 10'-0" straight lengths of counter flashing below the mounted reglet. Slide the counter flashing up into the reglet receiver until it is fully engaged. Be sure to lap each adjoining piece of counter flashing a min. of 1" to allow for thermal expansion.

STEP 3: Installation of Sealant

Apply a continuous (3/8") wide bead of sealant to the top side of the reglet (see diagram above).

CORNER APPLICATION

Field bevel cut reglet and counter flashing for appropriate corner.