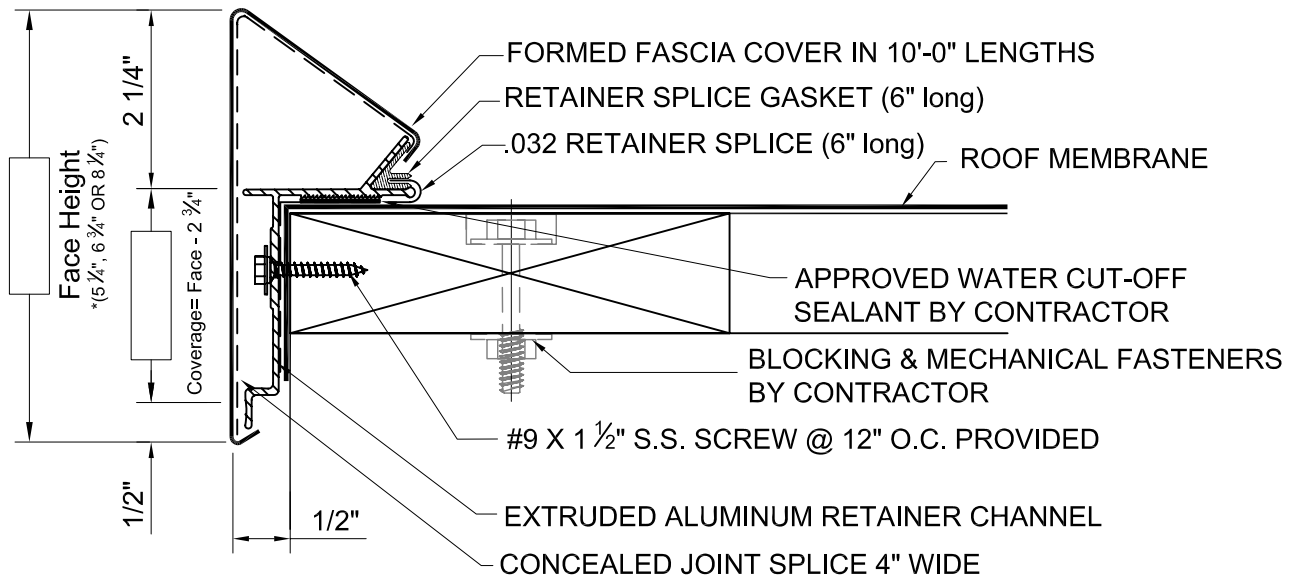


P.O. Box 15005
800.892.9173
www.wph.com

Asheville, NC 28813
Fax: 828.274.4031



NOTE: COORDINATE INSTALLATION WITH MEMBRANE MFR.

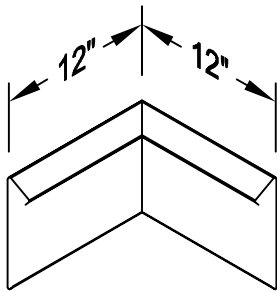
DETAIL:	ARCHITECTURAL REF:	DESCRIPTION:
QUANTITY, THIS DETAIL _____ TOTAL LF _____ OUTSIDE CORNERS _____ INSIDE CORNERS _____ SPECIAL CORNERS (attach sketches) _____ END CAP - L _____ END CAP - R _____ SPILLOUT _____ SUMP _____ RADIUS LF _____ RADIUS CORNERS (attach sketches)	MATERIAL <input type="checkbox"/> ALUMINUM <input type="checkbox"/> GALVANIZED <input type="checkbox"/> STAINLESS STEEL <input type="checkbox"/> _____ THICKNESS <input type="checkbox"/> .032 <input type="checkbox"/> .040 <input type="checkbox"/> .050 <input type="checkbox"/> .063 <input type="checkbox"/> 24 GA <input type="checkbox"/> _____	ACCESSORY TYPE <input type="checkbox"/> FOLDED WELDED CORNERS ARE NOT AVAILABLE FOR TERMINEDGE * MODEL <input type="checkbox"/> TEXB525 <input type="checkbox"/> TEXB675 <input type="checkbox"/> TEXB825 FINISH <input type="checkbox"/> MILL FINISH <input type="checkbox"/> PREFINISHED KYNAR <input type="checkbox"/> POST FINISHED KYNAR <input type="checkbox"/> PREFINISHED ANODIZE <input type="checkbox"/> POST FINISHED ANODIZE <input type="checkbox"/> _____ .063 PREFINISHED KYNAR IS ONLY AVAILABLE IN 7 STD. COLORS. COLOR _____

Transmittal <input type="checkbox"/> REQUEST FOR QUOTATION <input type="checkbox"/> SUBMIT FOR APPROVAL <input type="checkbox"/> REQUEST FOR INFORMATION <input type="checkbox"/> CONFIRMING TELECONFERENCE <input type="checkbox"/> FOR YOUR FILES By _____ Date _____	Customer Approval <input type="checkbox"/> APPROVED FOR FABRICATION <input type="checkbox"/> APPROVED AS NOTED <input type="checkbox"/> AMEND & RESUBMIT _____ Authorized Customer Signature _____ Title _____ Date _____
--	--

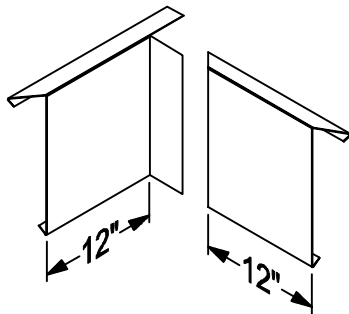
Job Name	Job #
Location	Sheet of
Customer	By
Representative	Date
Architect	

Extruded Terminedge™ Ballasted

Fascia Model	Face Height in.	Coverage in.
TEXB525	5 1/4	1 9/16
TEXB675	6 3/4	3 1/16
TEXB825	8 1/4	4 1/2



STD. OUTSIDE CORNER



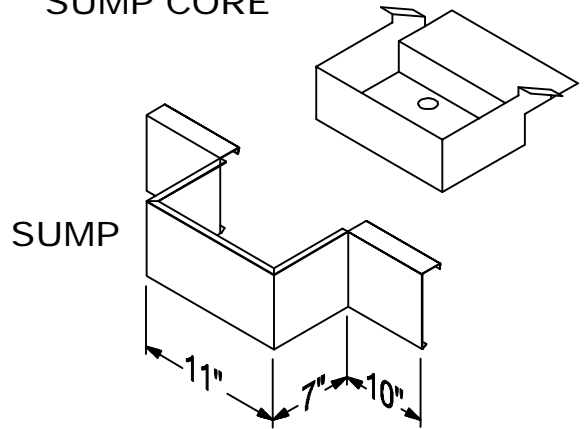
STD. INSIDE CORNER

STANDARD FASCIA CORNERS ARE 90° - 12" X 12".
STANDARD END CAPS ARE 24" LONG.

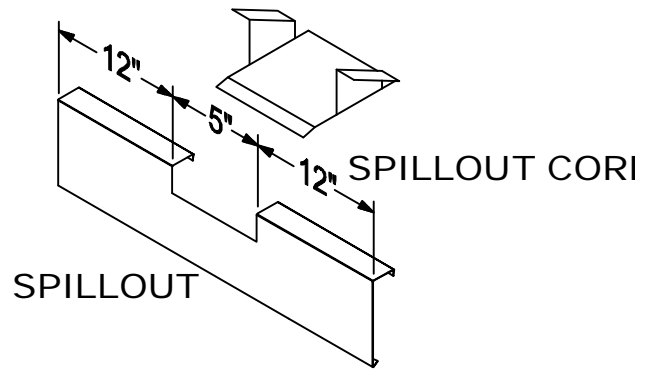
FOR SPECIAL CORNER REQUIREMENTS,
ATTACH SKETCHES OR CONSULT MFR. FOR
ASSISTANCE.

SIZES LISTED ARE SET BY EXTRUSION SIZE AND
ARE THEREFORE; UNABLE TO BE ALTERED.

SUMP CORE

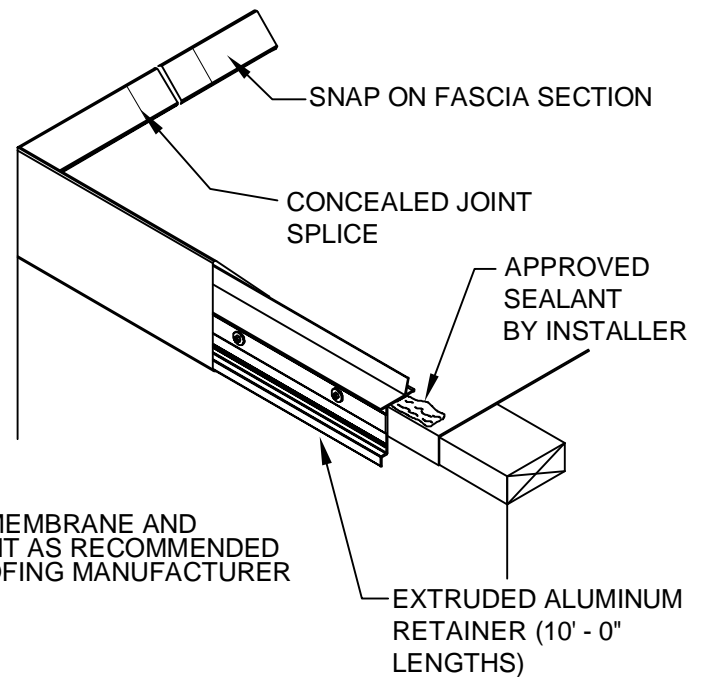


SUMP



SPILOUT

SPILOUT CORE



ROOF MEMBRANE AND
SEALANT AS RECOMMENDED
BY ROOFING MANUFACTURER

NOTE: VERIFY ALL INSTALLATION
DETAILS FOR ACCEPTANCE BY
MEMBRANE MANUFACTURER