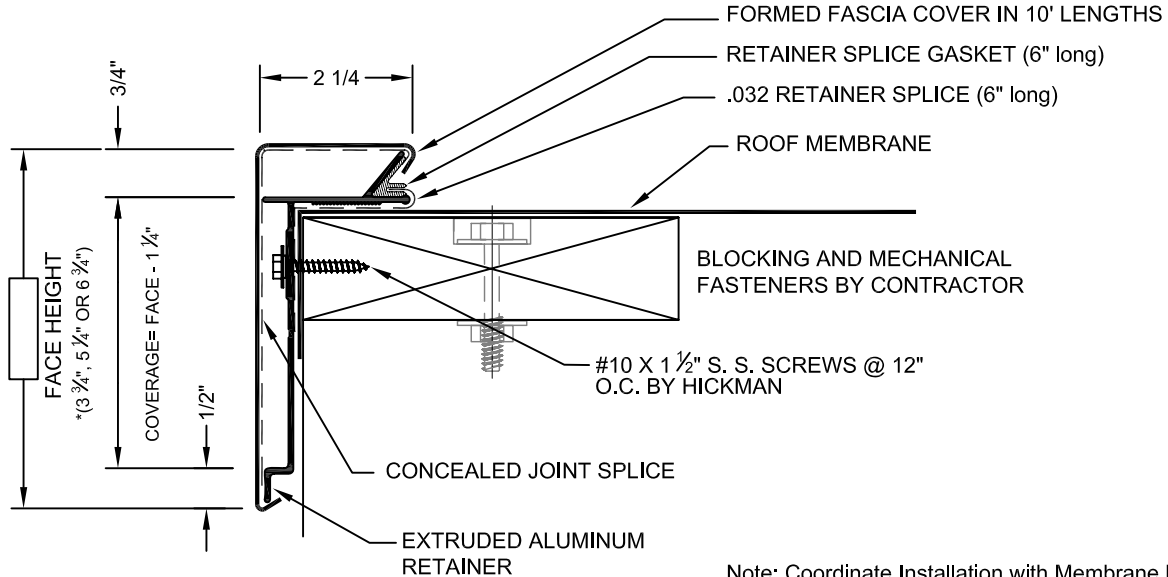


* Please contact Hickman for verification of test report data on your specific project



Note: Coordinate Installation with Membrane MFR.

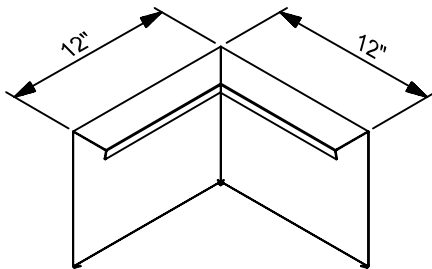
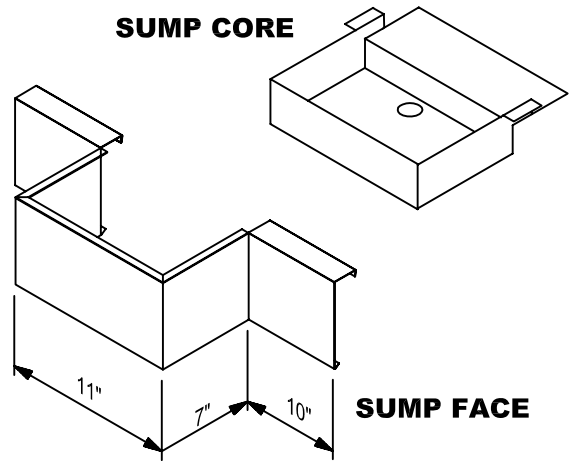
DETAIL:	ARCHITECTURAL REF:	DESCRIPTION:		
QUANTITY, THIS DETAIL _____ TOTAL LF _____ OUTSIDE CORNERS _____ INSIDE CORNERS _____ SPECIAL CORNERS (attach sketches) _____ END CAP - L _____ END CAP - R _____ SPILLOUT _____ SUMP _____ RADIUS LF _____ RADIUS CORNERS (attach sketches)		MATERIAL <input type="checkbox"/> ALUMINUM <input type="checkbox"/> GALVANIZED <input type="checkbox"/> STAINLESS STEEL <input type="checkbox"/> _____ THICKNESS <input type="checkbox"/> .032 <input type="checkbox"/> .040 <input type="checkbox"/> .050 <input type="checkbox"/> .063 <input type="checkbox"/> 24 GA <input type="checkbox"/> _____	ACCESSORY TYPE <input type="checkbox"/> FOLDED WELDED CORNERS ARE NOT AVAILABLE FOR TERMINEDGE * MODEL <input type="checkbox"/> TEX-375 <input type="checkbox"/> TEX-525 <input type="checkbox"/> TEX-675	FINISH <input type="checkbox"/> MILL FINISH <input type="checkbox"/> PREFINISHED KYNAR <input type="checkbox"/> POST FINISHED KYNAR <input type="checkbox"/> PREFINISHED ANODIZE <input type="checkbox"/> POST FINISHED ANODIZE <input type="checkbox"/> _____ .063 PREFINISHED KYNAR IS ONLY AVAILABLE IN 7 STD. COLORS. COLOR _____

Transmittal <input type="checkbox"/> REQUEST FOR QUOTATION <input type="checkbox"/> SUBMIT FOR APPROVAL <input type="checkbox"/> REQUEST FOR INFORMATION <input type="checkbox"/> CONFIRMING TELECONFERENCE <input type="checkbox"/> FOR YOUR FILES By _____ Date _____	Customer Approval <input type="checkbox"/> APPROVED FOR FABRICATION <input type="checkbox"/> APPROVED AS NOTED <input type="checkbox"/> AMEND & RESUBMIT _____ Authorized Customer Signature _____ Title _____ Date _____
--	---

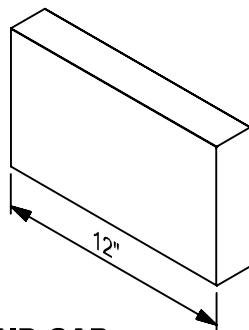
Job Name	Job #
Location	Sheet of
Customer	By
Representative	Date
Architect	

Extruded TerminEdge™ Fascia

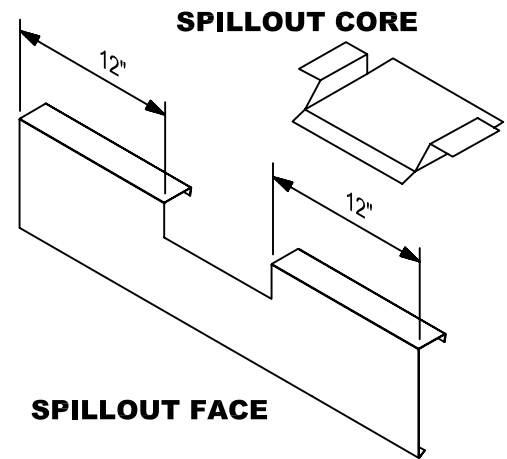
Fascia Model	Fascia Face Height in.	Coverage in.	Number Of Nailers Covered
TEX-375	3 3/4	2 1/2	1
TEX-525	5 1/4	4	2
TEX-675	6 3/4	5 1/2	3



STANDARD OUTSIDE CORNER

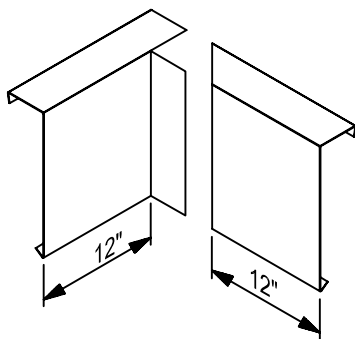


**END CAP
RIGHT HAND SHOWN**

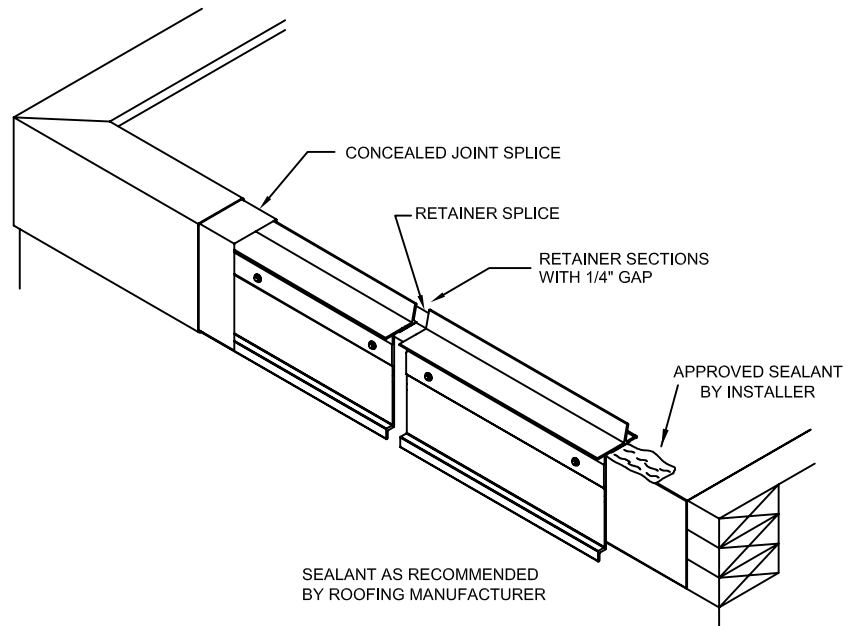


SPILLOVER CORE

SPILLOVER FACE



STANDARD INSIDE CORNER



STANDARD FASCIA CORNERS ARE 90° - 12" X 12".
STANDARD END CAPS ARE 12" LONG.

FOR SPECIAL CORNER REQUIREMENTS,
ATTACH SKETCHES OR CONSULT MFR. FOR
ASSISTANCE.

SIZES LISTED ARE SET BY EXTRUSION SIZE AND
ARE THEREFORE; UNABLE TO BE ALTERED.

SEALANT AS RECOMMENDED
BY ROOFING MANUFACTURER