



**Carlisle Syntec Incorporated**  
 P.O. Box 7000 · Carlisle, PA 17013  
 Phone: 800-FOR-SYNTEC FAX: 717-245-7245

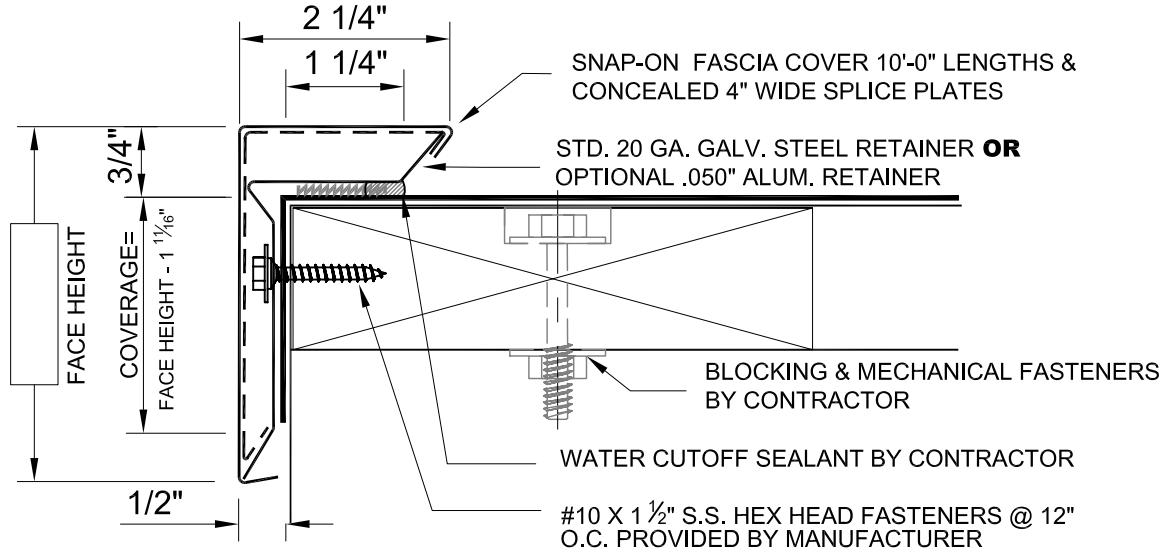
## SecurEdge 3000 Fascia Order /Specification Form

(For Single-Ply Membrane)

**Factory Mutual Approved\***

**ANSI/SPRI ES-1 Tested\***

\* Please contact manufacturer for verification of test report data on your specific project

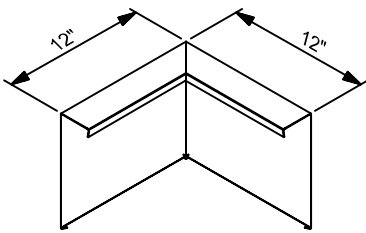
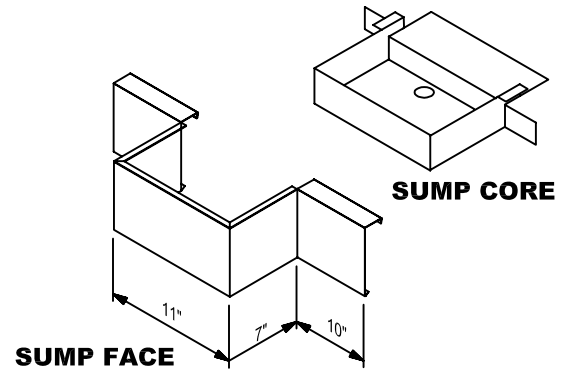


**NOTE:** SECOND ROW OF FASTENER HOLES PROVIDED FOR 6" FACE SIZE AND LARGER.

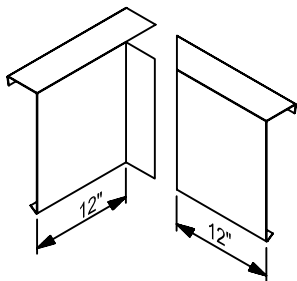
DETAIL:	ARCHITECTURAL REF:	DESCRIPTION:
<b>QUANTITY, THIS DETAIL</b> _____ TOTAL LF _____ OUTSIDE CORNERS _____ INSIDE CORNERS _____ SPECIAL CORNERS (attach sketches) _____ END CAP - L _____ END CAP - R _____ *RADIUS LF _____ RADIUS CORNERS (attach sketches) * POST PAINTED RADIUS PIECES MUST BE WELDED AND ARE THEREFORE 58" LONG. PREFINISHED RADIUS WILL BE NOTCHED AND BE SUPPLIED IN 10'-0" LENGTHS.	<b>MATERIAL</b> <input type="checkbox"/> ALUMINUM <input type="checkbox"/> GALVANIZED <input type="checkbox"/> STAINLESS STEEL <input type="checkbox"/> _____	<b>ACCESSORY TYPE</b> <input type="checkbox"/> FOLDED  <b>* WELDED CORNERS ARE NOT AVAILABLE FOR TERMINEDGE</b>
	<b>THICKNESS</b> <input type="checkbox"/> .040 <input type="checkbox"/> .050 <input type="checkbox"/> .063 <input type="checkbox"/> 24 GA <input type="checkbox"/> _____	<b>RETAINER OPTIONS</b> <input type="checkbox"/> 20 GA GALV. (STD.) <input type="checkbox"/> .050 ALUMINUM
<b>Transmittal</b> <input type="checkbox"/> REQUEST FOR QUOTATION <input type="checkbox"/> SUBMIT FOR APPROVAL <input type="checkbox"/> REQUEST FOR INFORMATION <input type="checkbox"/> CONFIRMING TELECONFERENCE <input type="checkbox"/> FOR YOUR FILES By _____ Date _____	<b>Customer Approval</b> <input type="checkbox"/> APPROVED FOR FABRICATION <input type="checkbox"/> APPROVED AS NOTED <input type="checkbox"/> AMEND & RESUBMIT  _____ <b>Authorized Customer Signature</b> _____ <b>Title</b> _____ <b>Date</b> _____	
<b>Job Name</b>		<b>Job #</b>
<b>Location</b>		<b>Sheet of</b>
<b>Customer</b>		<b>By</b>
<b>Representative</b>		<b>Date</b>
<b>Architect</b>		

# SecurEdge 3000 Fascia

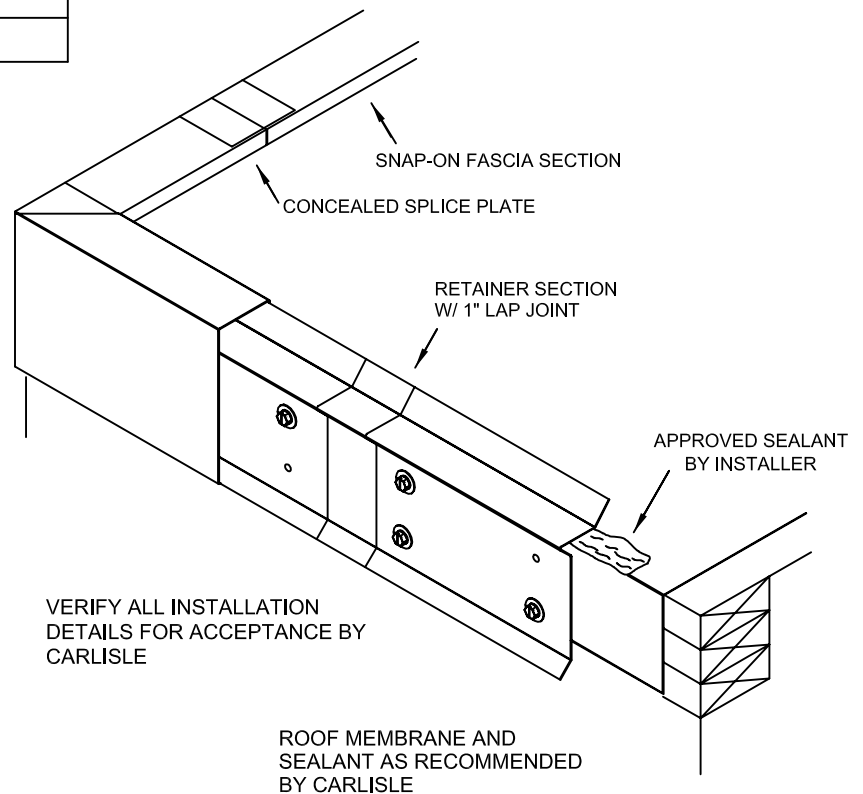
Fascia Model	Face Height in.	Coverage in.	Retainer Gauge B&S
TE375	3 3/4	2 1/16	20
TE525	5 1/4	3 9/16	20
TE675	6 3/4	5 1/16	20
MIN.	3 3/4	2 1/16	20
MAX.	13	11 5/16	20



**STD. OUTSIDE CORNER**



**STD. INSIDE CORNER**



VERIFY ALL INSTALLATION  
DETAILS FOR ACCEPTANCE BY  
CARLISLE

ROOF MEMBRANE AND  
SEALANT AS RECOMMENDED  
BY CARLISLE

STANDARD FASCIA CORNERS ARE 90° - 12" X 12".  
STANDARD END CAPS ARE 24" LONG.

FOR SPECIAL CORNER REQUIREMENTS,  
ATTACH SKETCHES OR CONSULT MFR. FOR  
ASSISTANCE.

MINIMUM AND MAXIMUM SIZES ARE INDICATED.  
INTERMEDIATE SIZES MAY BE SPECIFIED  
WITHIN THESE RANGES. CONSULT MFR. FOR  
REQUIREMENTS NOT WITHIN THESE RANGES.  
WHEN FACE SIZE EXCEEDS 6", ADDITIONAL  
FASTENERS ARE REQUIRED ON FACE OF  
RETAINER.

