

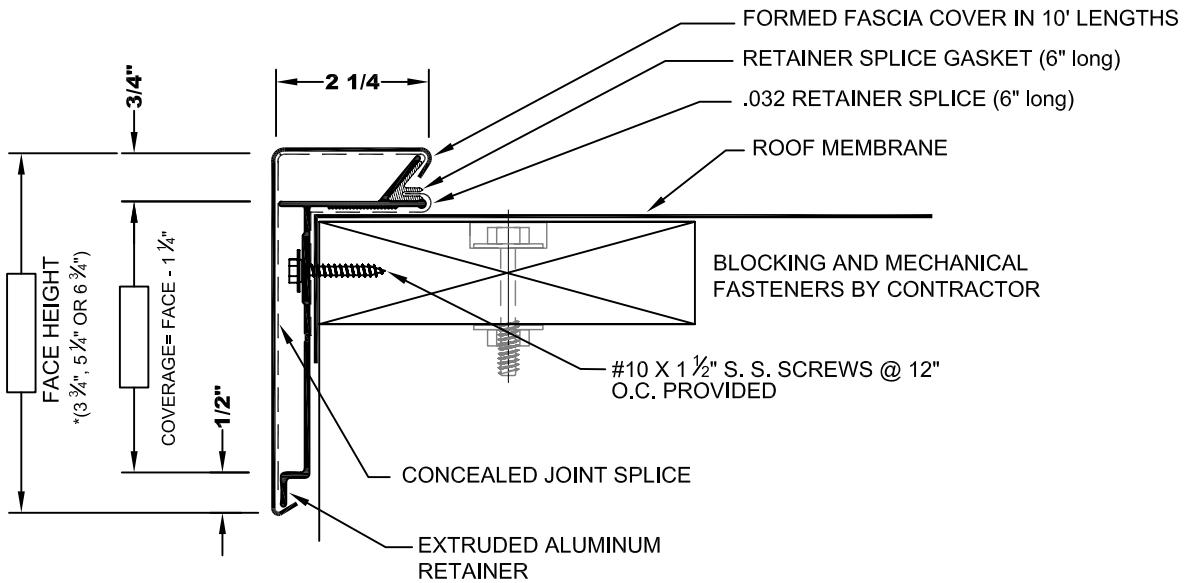


Carlisle Syntec Incorporated
 P.O. Box 7000 · Carlisle, PA 17013
 Phone: 800-FOR-SYNTEC FAX: 717-245-7245

SecurEdge 3000XT Fascia Order/Specification Form

(For Single-Ply Membranes)
Factory Mutual Approved*
ANSI/SPRI ES-1 Tested*

* Please contact manufacturer for verification of test report data on your specific project

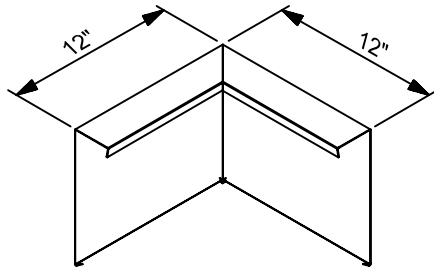


Note: Coordinate Installation with Membrane MFR.

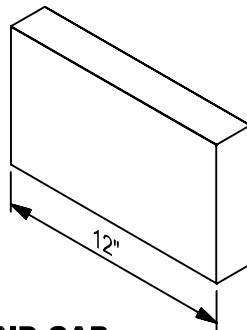
DETAIL:	ARCHITECTURAL REF:	DESCRIPTION:		
QUANTITY, THIS DETAIL _____ TOTAL LF _____ OUTSIDE CORNERS _____ INSIDE CORNERS _____ SPECIAL CORNERS (attach sketches) _____ END CAP - L _____ END CAP - R _____ SPILLOUT _____ SUMP _____ RADIUS LF _____ RADIUS CORNERS (attach sketches)		MATERIAL <input type="checkbox"/> ALUMINUM <input type="checkbox"/> GALVANIZED <input type="checkbox"/> STAINLESS STEEL <input type="checkbox"/> _____	ACCESSORY TYPE <input type="checkbox"/> FOLDED WELDED CORNERS ARE NOT AVAILABLE FOR TERMINEDGE	FINISH <input type="checkbox"/> MILL FINISH <input type="checkbox"/> PREFINISHED KYNAR <input type="checkbox"/> POST FINISHED KYNAR <input type="checkbox"/> PREFINISHED ANODIZE <input type="checkbox"/> POST FINISHED ANODIZE <input type="checkbox"/> _____
		THICKNESS <input type="checkbox"/> .032 <input type="checkbox"/> .040 <input type="checkbox"/> .050 <input type="checkbox"/> .063 <input type="checkbox"/> 24 GA <input type="checkbox"/> _____	* MODEL <input type="checkbox"/> SE3XT-375 <input type="checkbox"/> SE3XT-525 <input type="checkbox"/> SE3XT-675	.063 PREFINISHED KYNAR IS ONLY AVAILABLE IN 7 STD. COLORS. COLOR _____
Transmittal <input type="checkbox"/> REQUEST FOR QUOTATION <input type="checkbox"/> SUBMIT FOR APPROVAL <input type="checkbox"/> REQUEST FOR INFORMATION <input type="checkbox"/> CONFIRMING TELECONFERENCE <input type="checkbox"/> FOR YOUR FILES By _____ Date _____		Customer Approval <input type="checkbox"/> APPROVED FOR FABRICATION <input type="checkbox"/> APPROVED AS NOTED <input type="checkbox"/> AMEND & RESUBMIT <hr/> Authorized Customer Signature <hr/> Title _____ Date _____		
Job Name		Job #		
Location		Sheet of		
Customer		By		
Representative		Date		
Architect				

SecurEdge 3000XT Fascia

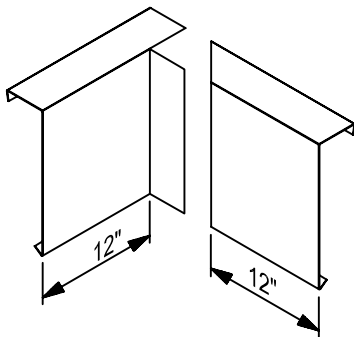
Fascia Model	Fascia Face Height in.	Coverage in.	Number Of Nailers Covered
SE3XT-375	3 3/4	2 1/2	1
SE3XT-525	5 1/4	4	2
SE3XT-675	6 3/4	5 1/2	3



STANDARD OUTSIDE CORNER



**END CAP
RIGHT HAND SHOWN**



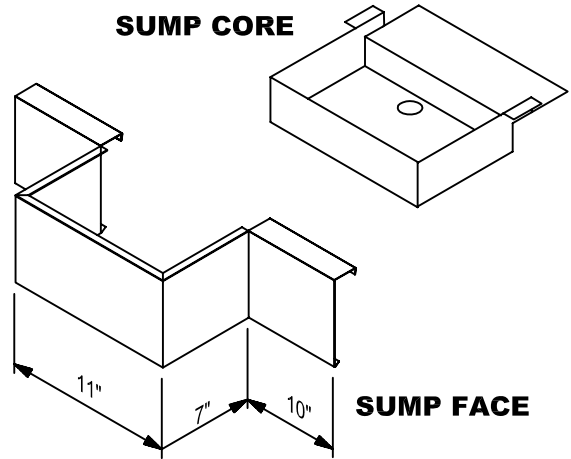
STANDARD INSIDE CORNER

STANDARD FASCIA CORNERS ARE 90° - 12" X 12".
STANDARD END CAPS ARE 12" LONG.

FOR SPECIAL CORNER REQUIREMENTS,
ATTACH SKETCHES OR CONSULT MFR. FOR
ASSISTANCE.

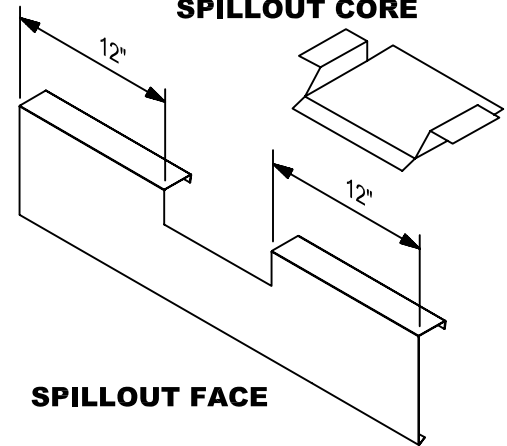
SIZES LISTED ARE SET BY EXTRUSION SIZE AND
ARE THEREFORE; UNABLE TO BE ALTERED.

SUMP CORE

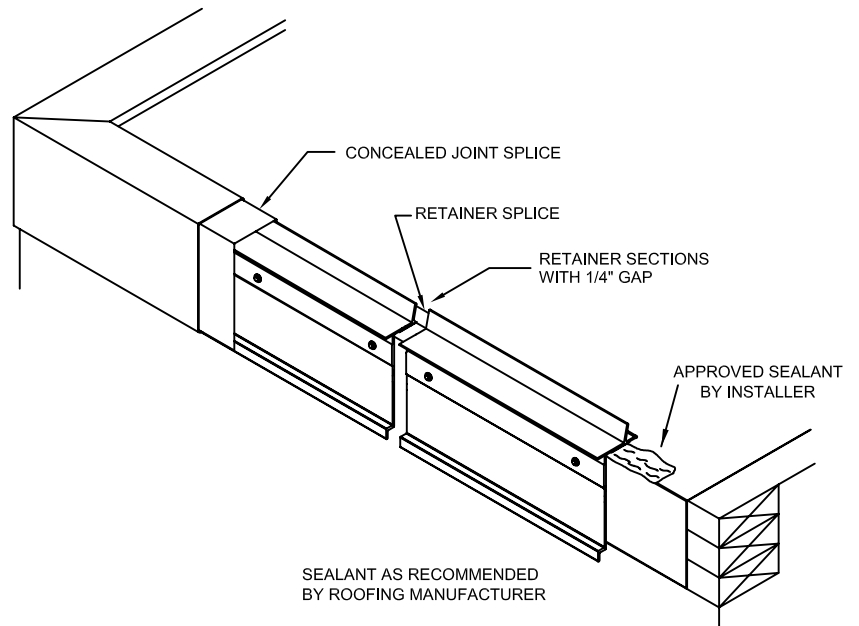


SUMP FACE

SPILLOUT CORE



SPILLOUT FACE



SEALANT AS RECOMMENDED
BY ROOFING MANUFACTURER

APPROVED SEALANT
BY INSTALLER



Carlisle Syntec Incorporated

P.O. Box 7000 · Carlisle, PA 17013

Phone: 800-FOR-SYNTec FAX: 717-245-7245