

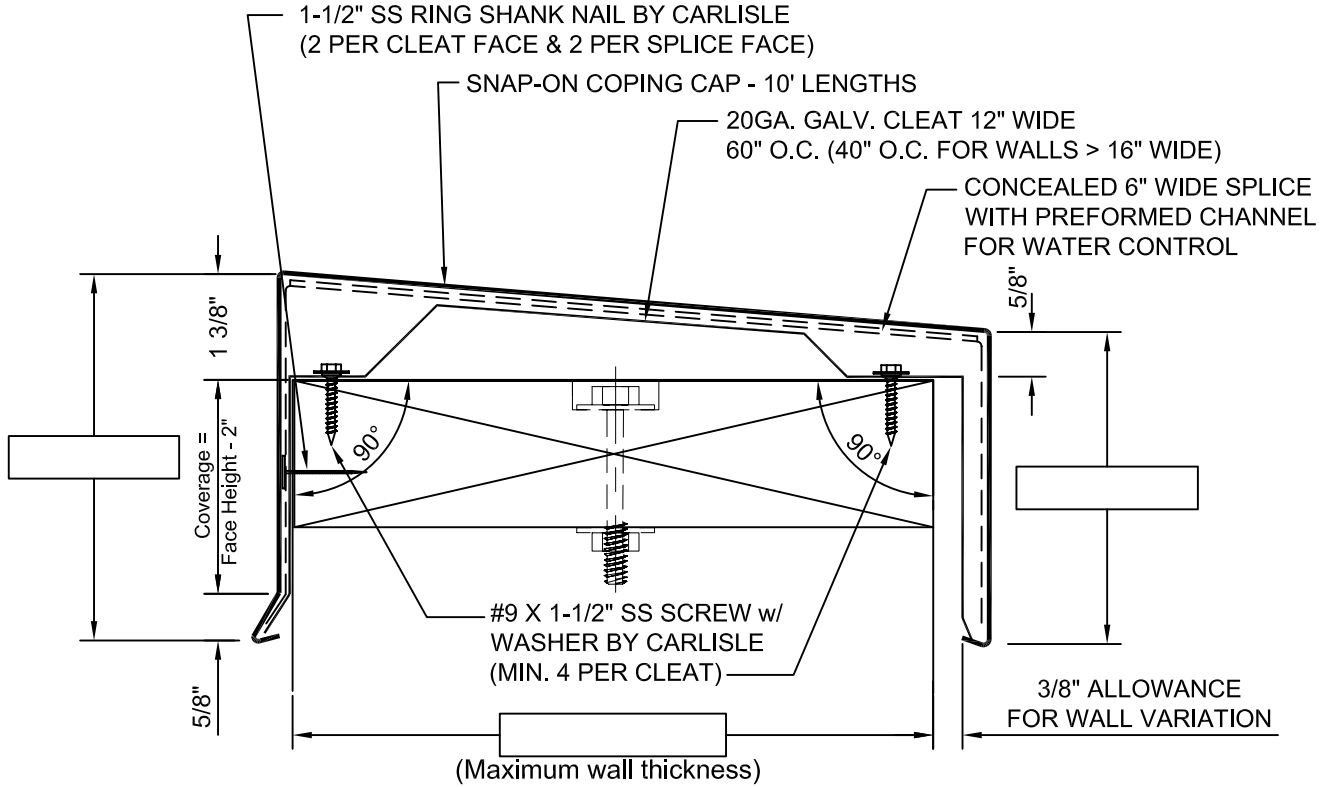


Carlisle Syntec Incorporated
 P.O. Box 7000 · Carlisle, PA 17013
 Phone: 800-FOR-SYNTec FAX: 717-245-7245

Securedge 300 Coping Order /Specification Form

(For Parapets 6" - 32")

Factory Mutual Approved
ANSI/SPRI ES-1 Tested

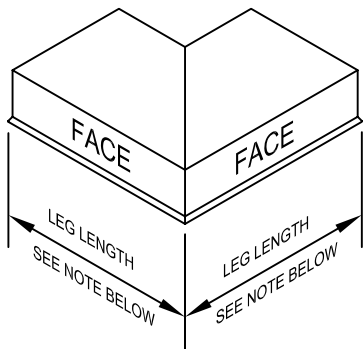
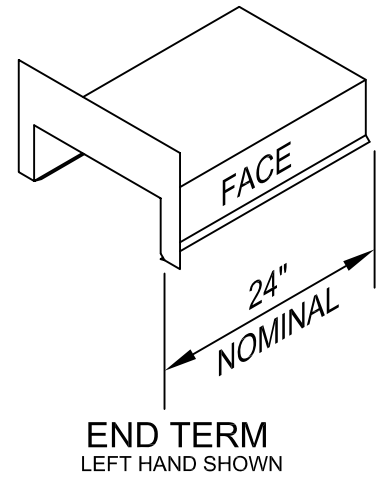
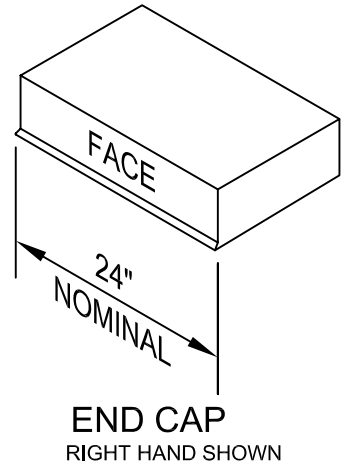
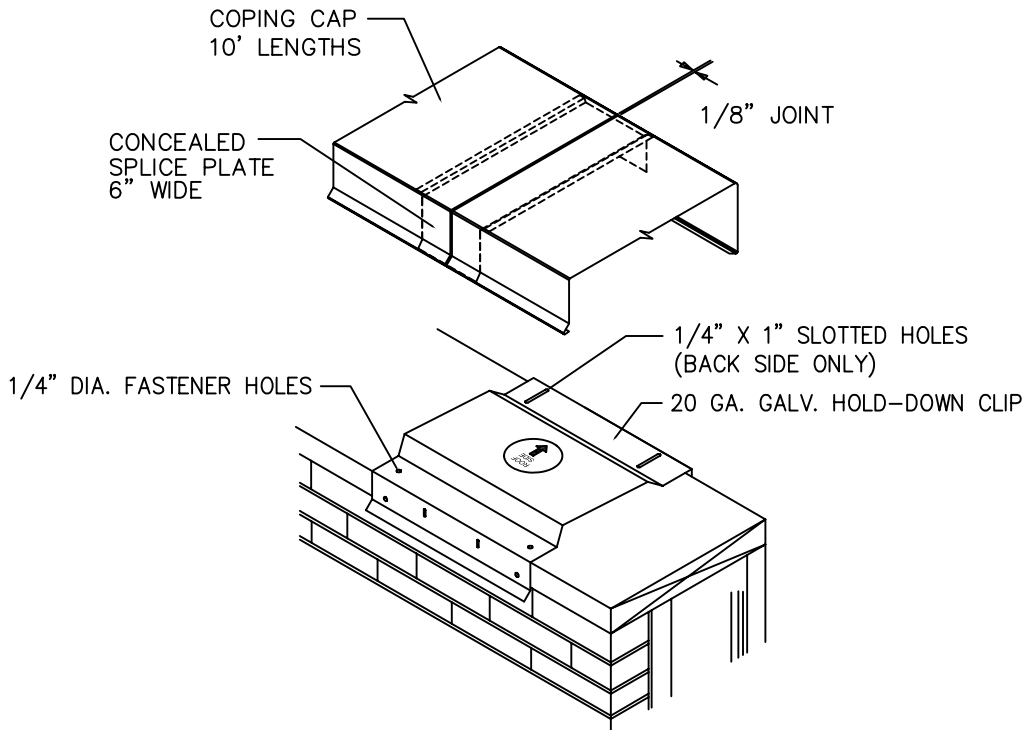


QUANTITY, THIS DETAIL _____ TOTAL LF _____ OUTSIDE CORNERS _____ INSIDE CORNERS _____ SPECIAL CORNERS (attach sketches) _____ END CAP - L _____ END CAP - R _____ RADIUS LF (58" PCS) _____ RADIUS CORNERS (attach sketches)	MATERIAL <input type="checkbox"/> ALUMINUM <input type="checkbox"/> GALVANIZED <input type="checkbox"/> _____ THICKNESS <input type="checkbox"/> .032 <input type="checkbox"/> .040 <input type="checkbox"/> .050 <input type="checkbox"/> .063 <input type="checkbox"/> .080 <input type="checkbox"/> .125 <input type="checkbox"/> 24 GA (FOR 6" - 24" WALLS ONLY) <input type="checkbox"/> _____	ACCESSORY TYPE <input type="checkbox"/> WELDED <input type="checkbox"/> FOLDED * IF ACCESSORY TYPE IS NOT CHECKED, WE WILL ASSUME FOLDED.	FINISH <input type="checkbox"/> MILL FINISH <input type="checkbox"/> PREFINISHED KYNAR <input type="checkbox"/> POST FINISHED KYNAR <input type="checkbox"/> PREFINISHED ANODIZE <input type="checkbox"/> POST FINISHED ANODIZE <input type="checkbox"/> _____ .063 PREFINISHED KYNAR IS ONLY AVAILABLE IN 7 STD. COLORS. COLOR _____
---	---	--	---

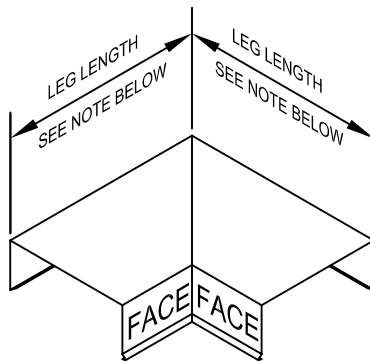
TRANSMITTAL <input type="checkbox"/> REQUEST FOR QUOTATION <input type="checkbox"/> REQUEST FOR INFORMATION <input type="checkbox"/> SUBMIT AS QUOTATION <input type="checkbox"/> CONFIRMING TELCON <input type="checkbox"/> SUBMIT FOR APPROVAL <input type="checkbox"/> FOR YOUR FILES BY: _____ DATE: _____	CUSTOMER APPROVAL : <input type="checkbox"/> APPROVED FOR FABRICATION _____ <input type="checkbox"/> APPROVED WITH CHANGES AUTHORIZED CUSTOMER SIGNATURE _____ <input type="checkbox"/> DISAPPROVED, RESUBMIT _____ TITLE _____ DATE _____
--	---

JOB NAME	JOB #
LOCATION	SHEET OF
CUSTOMER	BY
REPRESENTATIVE	DATE
ARCHITECT	

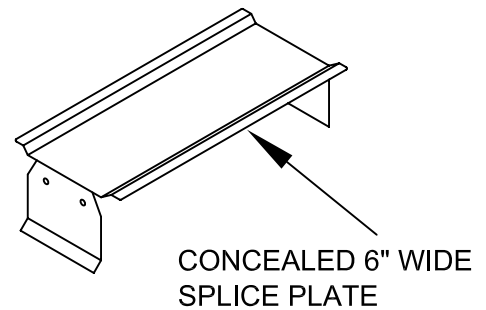
SECUREDGE 300 COPING



OUTSIDE CORNER



INSIDE CORNER



STANDARD COPING CORNERS LEG LENGTHS:
 LENGTH = 23 1/4" FOR 6" - 16" WALL WIDTHS
 LENGTH = 29 1/4" FOR 17" - 23" WALL WIDTHS
 LENGTH = CUSTOM FOR WALL WIDTHS > 23"

FOR SPECIAL CORNER REQUIREMENTS, ATTACH SKETCHES, OR
 CONSULT MFR. FOR ASSISTANCE.



Carlisle Syntec Incorporated
 P.O. Box 7000 · Carlisle, PA 17013
 Phone: 800-FOR-SYNTec FAX: 717-245-7245