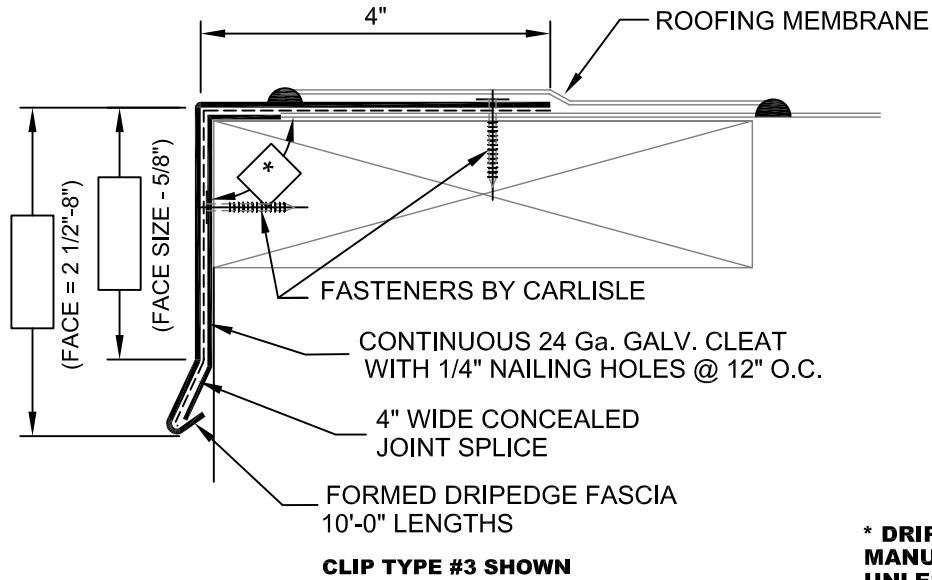




Carlisle Syntec Incorporated
 P.O. Box 7000 · Carlisle, PA 17013
 Phone: 800-FOR-SYNTEC FAX: 717-245-7245

**Sure-Seal Drip Edge
 Order /Specification Form
 Factory Mutual Approved***

* Please contact manufacturer for verification of test report data on your specific project



*** DRIP EDGE WILL BE MANUFACTURED AT 90° UNLESS OTHERWISE SPECIFIED.**

DETAIL:	ARCHITECTURAL REF:	DESCRIPTION:		
QUANTITY, THIS DETAIL _____ TOTAL LF _____ OUTSIDE CORNERS _____ INSIDE CORNERS _____ SPECIAL CORNERS (attach sketches) _____ END CAP - L _____ END CAP - R _____ RADIUS LF (58" PCS) _____ RADIUS CORNERS (attach sketches)		MATERIAL <input type="checkbox"/> ALUMINUM <input type="checkbox"/> GALVANIZED <input type="checkbox"/> _____ THICKNESS <input type="checkbox"/> .032 <input type="checkbox"/> .040 <input type="checkbox"/> .050 <input type="checkbox"/> .063 <input type="checkbox"/> .080 <input type="checkbox"/> .125 <input type="checkbox"/> 24 GA <input type="checkbox"/> _____	ACCESSORY TYPE <input type="checkbox"/> WELDED <input type="checkbox"/> FOLDED * IF ACCESSORY TYPE IS NOT CHECKED, WE WILL ASSUME FOLDED. CLIP OPTION <input type="checkbox"/> TYPE 1 <input type="checkbox"/> TYPE 2 <input type="checkbox"/> TYPE 3 * CLIP TYPE #3 WILL BE SUPPLIED UNLESS OTHERWISE NOTED.	FINISH <input type="checkbox"/> MILL FINISH <input type="checkbox"/> PREFINISHED KYNAR <input type="checkbox"/> POST FINISHED KYNAR <input type="checkbox"/> PREFINISHED ANODIZE <input type="checkbox"/> POST FINISHED ANODIZE <input type="checkbox"/> _____ .063 PREFINISHED KYNAR IS ONLY AVAILABLE IN 7 STD. COLORS. COLOR _____
Transmittal <input type="checkbox"/> REQUEST FOR QUOTATION <input type="checkbox"/> SUBMIT FOR APPROVAL <input type="checkbox"/> REQUEST FOR INFORMATION <input type="checkbox"/> CONFIRMING TELECONFERENCE <input type="checkbox"/> FOR YOUR FILES By _____ Date _____		Customer Approval <input type="checkbox"/> APPROVED FOR FABRICATION <input type="checkbox"/> APPROVED AS NOTED <input type="checkbox"/> AMEND & RESUBMIT _____ Authorized Customer Signature _____ Title _____ Date _____		
Job Name		Job #		
Location		Sheet of		
Customer		By		
Representative		Date		
Architect				

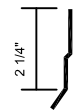
Sure-Seal Drip Edge

Model	Face Height in.	Deck Flange in.	Coverage in.
DE250	2 1/2	4	1 7/8
DE400	4	4	3 3/8
DE550	5 1/2	4	4 7/8
DE700	7	4	6 3/8
DE800	8	4	7 3/8

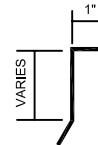
CLEAT OPTIONS



CLIP 1
24 GA GALV STEEL
10'-0" LENGTHS



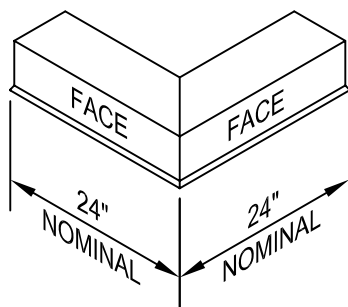
CLIP 2
24 GA GALV STEEL
10'-0" LENGTHS
1/8" OFFSET



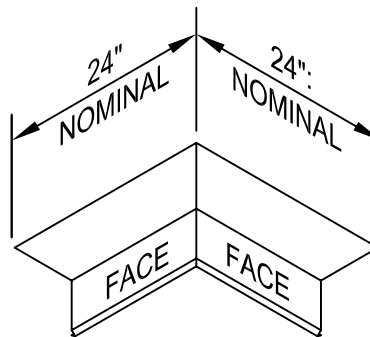
CLIP 3
24 GA GALV STEEL
10'-0" LENGTHS

NOTES:

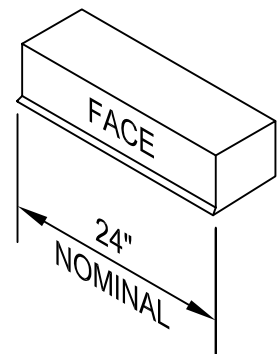
- HOLES IN EACH CLEAT ARE 12" O.C.
- CLIP STYLE #3 IS ONLY AVAILABLE FOR 6" OR SMALLER



STD. OUTSIDE CORNER

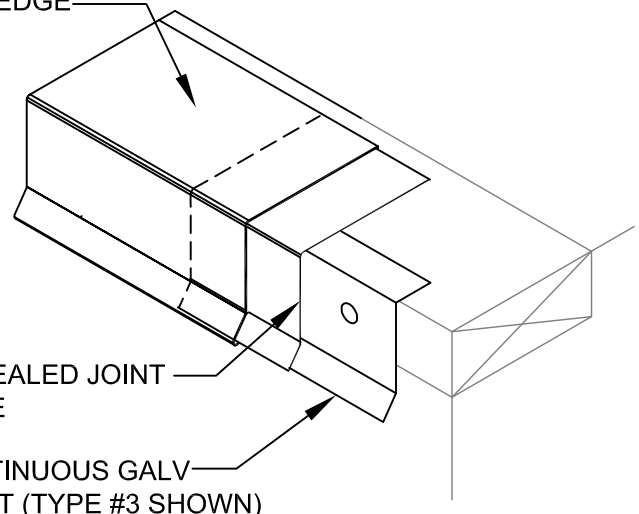


STD. INSIDE CORNER



STD. END CAP
(RIGHT HAND SHOWN)

FORMED DRIP EDGE



CONCEALED JOINT
SPLICE

CONTINUOUS GALV
CLEAT (TYPE #3 SHOWN)

STANDARD DRIP EDGE CORNERS ARE 90° - 24" X 24". STANDARD END CAPS ARE 12" LONG.

FOR SPECIAL CORNER REQUIREMENTS, ATTACH SKETCHES OR CONSULT MFR. FOR ASSISTANCE.

MINIMUM AND MAXIMUM SIZES ARE INDICATED. INTERMEDIATE SIZES MAY BE SPECIFIED WITHIN THESE RANGES. CONSULT MFR. FOR REQUIREMENTS NOT WITHIN THESE RANGES. WHEN FACE SIZE EXCEEDS 6", CLIP #3 IS NOT OFFERED.



Carlisle Syntec Incorporated

P.O. Box 7000 · Carlisle, PA 17013

Phone: 800-FOR-SYNTEC FAX: 717-245-7245