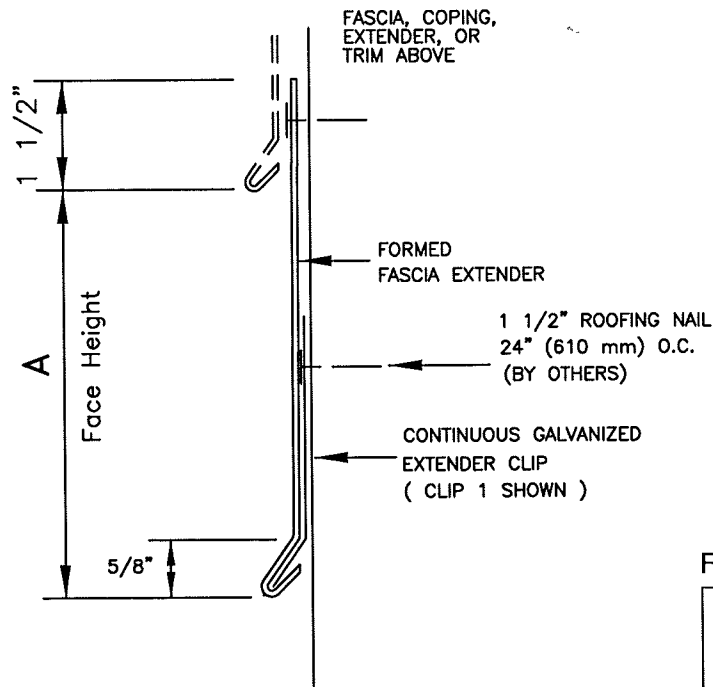




# Formed Fascia Extender

## ORDER / SPECIFICATION FORM



FASCIA SIZE:

"A" = \_\_\_\_\_  
SEE BACK FOR STD. SIZES

MATERIAL SPECS

ORDER QTY.

GAUGE	FINISH
<input type="checkbox"/> 24 Ga. GALV.	<input type="checkbox"/> MILL
<input type="checkbox"/> .032 ALUM.	<input type="checkbox"/> KYNAR 500
<input type="checkbox"/> .040 ALUM.	<input type="checkbox"/> CLEAR ANODIZED
<input type="checkbox"/> .050 ALUM.	<input type="checkbox"/> BRONZE ANODIZED
<input type="checkbox"/> _____	<input type="checkbox"/> _____

\* INDICATE COLOR PREFERENCE

_____	LF EXTENDER
_____	EA OUTSIDE CORNERS
_____	EA INSIDE CORNERS
_____ / _____	EA ENDCAPS - R / L
_____	EA SPECIAL MITERS
_____	LF RADIUS
_____	
_____	

TRANSMITTAL

- REQUEST FOR QUOTATION  REQUEST FOR INFORMATION
- SUBMIT AS QUOTATION  CONFIRMING TELCON
- SUBMIT FOR APPROVAL  FOR YOUR FILES

BY \_\_\_\_\_ DATE \_\_\_\_\_

CUSTOMER APPROVAL :

- APPROVED FOR FABRICATION \_\_\_\_\_
- APPROVED WITH CHANGES AUTHORIZED CUSTOMER SIGNATURE \_\_\_\_\_
- DISAPPROVED, RESUBMIT \_\_\_\_\_

TITLE

DATE

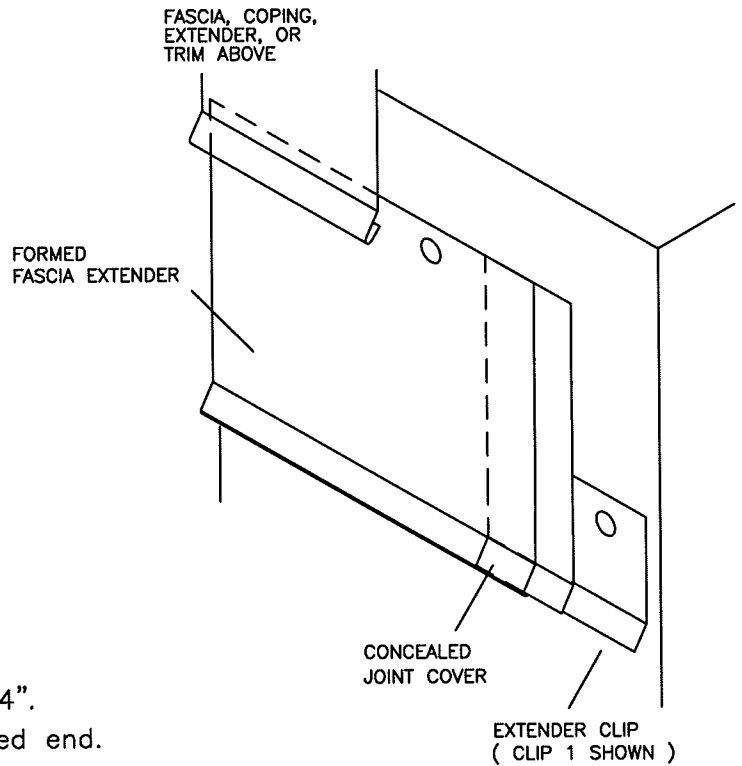
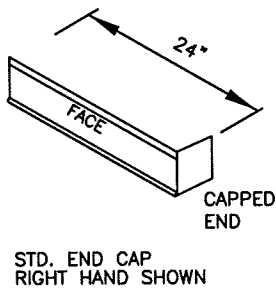
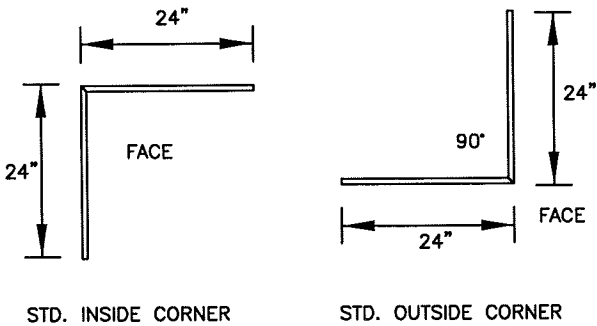
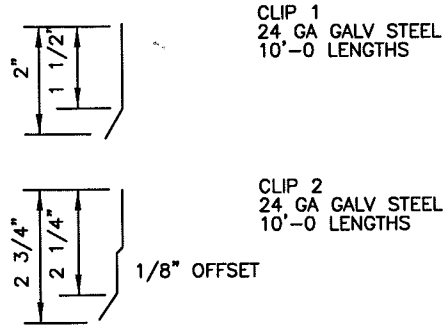
JOB NAME	JOB #
LOCATION	SHEET OF
CUSTOMER	BY
REPRESENTATIVE	DATE
ARCHITECT	A13\OEM\CARLISLE\SSDE.DWG

# Formed Fascia Extender

Extender Model	Face Height E		Minimum Thickness	
	in.	mm	in.	mm
E300	3	76	.032	1.0
E450	4.5	114	.032	1.0
E600	6	152	.032	1.3
E800	8	203	.040	1.3

Minimum and Maximum Sizes and Minimum Gauges are Indicated  
Intermediate Sizes May Be Specified Within These Ranges.

## CLIP OPTIONS



Standard fascia corners are 90° x 24" x 24".  
Standard end caps are 24" long with capped end.  
For special corner requirements,  
attach sketches, or consult factory  
for assistance.



Carlisle SynTec Systems  
P.O. Box 7000  
Carlisle, PA 17013

Call 1-800-4-SYNTEC

FAX 1-717-245-7245