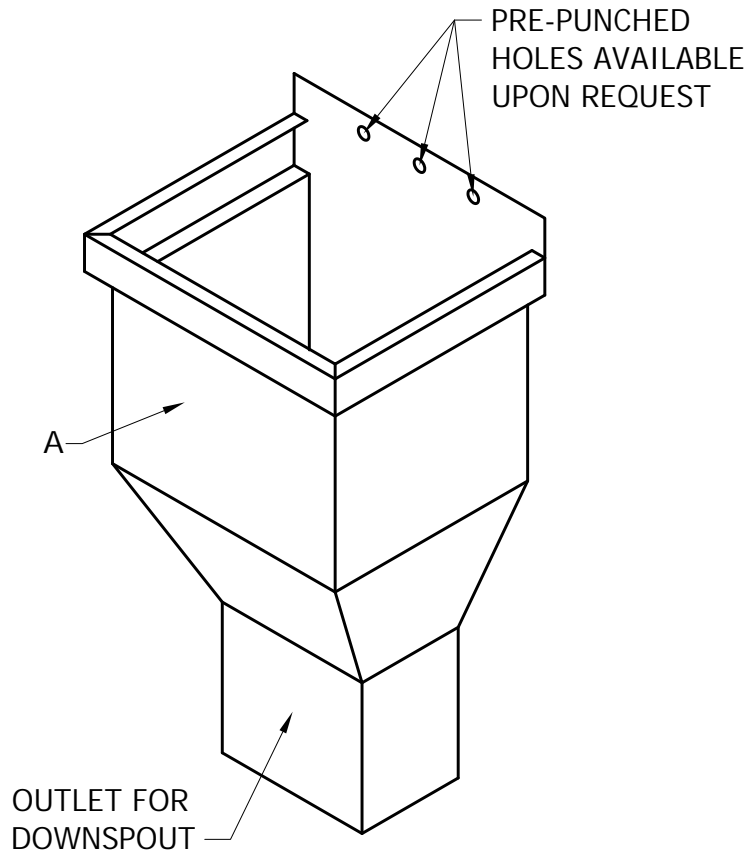




**DERBIGUM®**  
MAKING BUILDINGS SMART

## Installation Guide for Perlok Conductor Head



A. Formed Conductor Head  
Sized upon request

### Installation Instruction:

STEP 1: Locate conductor head at specified locations.

STEP 2: Install onto wall using fasteners (by installer) appropriate for substrate.

STEP 3: Attach downspout to conductor head where required.

DERBIGUM Performance Roof Systems

4800 Blue Parkway - Kansas City, MO. 64130 - Phone: (800) 727-9872 - Fax: (816) 921-5007

Email: [info@derbigum.com](mailto:info@derbigum.com) - [www.derbigum.com](http://www.derbigum.com)