



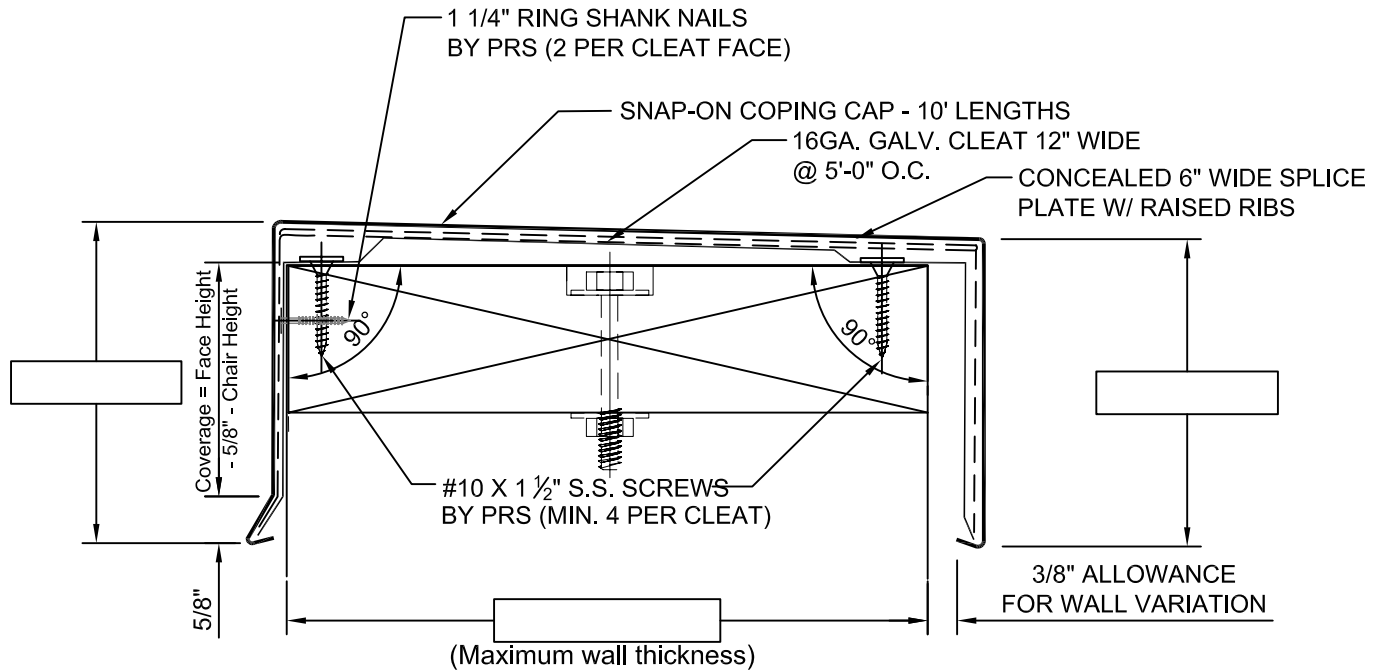
DERBIGUM®
MAKING BUILDINGS SMART

PERLOK® 150 COPING

Order/Specification Form

(For Parapets 6" - 32")

Factory Mutual Approved
ANSI/SPRI ES-1 Tested



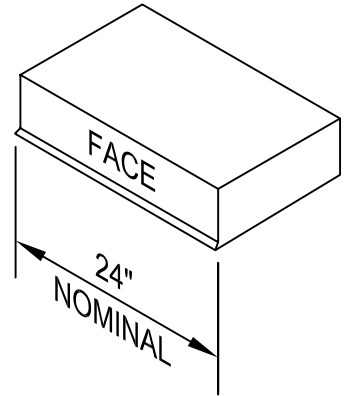
QUANTITY, THIS DETAIL _____ TOTAL LF _____ OUTSIDE CORNERS _____ INSIDE CORNERS _____ SPECIAL CORNERS (attach sketches) _____ END CAP - L _____ END CAP - R _____ END TERM - L _____ END TERM - R _____ RADIUS LF (58" PCS) _____ RADIUS CORNERS (attach sketches)	MATERIAL <input type="checkbox"/> ALUMINUM <input type="checkbox"/> GALVANIZED <input type="checkbox"/> STAINLESS STEEL <input type="checkbox"/> _____	ACCESSORY TYPE <input type="checkbox"/> WELDED <input type="checkbox"/> METAL-LOCK * IF ACCESSORY TYPE IS NOT CHECKED, WE WILL ASSUME "METAL-LOCK"	FINISH <input type="checkbox"/> MILL FINISH <input type="checkbox"/> PREFINISHED KYNAR <input type="checkbox"/> POST FINISHED KYNAR <input type="checkbox"/> PREFINISHED ANODIZE <input type="checkbox"/> POST FINISHED ANODIZE <input type="checkbox"/> _____ .063 PREFINISHED KYNAR IS ONLY AVAILABLE IN 7 STD. COLORS.
	THICKNESS <input type="checkbox"/> .040 <input type="checkbox"/> .050 <input type="checkbox"/> .063 <input type="checkbox"/> 24 GA <input type="checkbox"/> _____	COLOR _____	

Transmittal <input type="checkbox"/> REQUEST FOR QUOTATION <input type="checkbox"/> SUBMIT FOR APPROVAL <input type="checkbox"/> REQUEST FOR INFORMATION <input type="checkbox"/> CONFIRMING TELECONFERENCE <input type="checkbox"/> FOR YOUR FILES By _____ Date _____	Customer Approval <input type="checkbox"/> APPROVED FOR FABRICATION <input type="checkbox"/> APPROVED AS NOTED <input type="checkbox"/> AMEND & RESUBMIT _____ Authorized Customer Signature _____ Title _____ Date _____
--	--

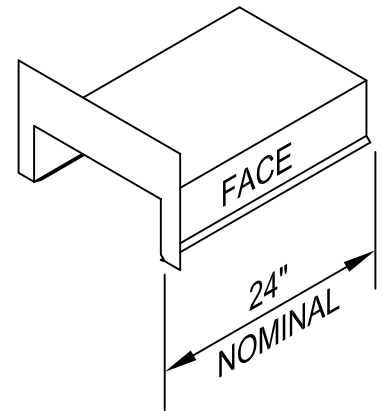
Job Name	Job #
Location	Sheet of
Customer	By
Representative	Date
Architect	G:\A13\ORDERSPEC\OEM

PERLOK® 150 COPING

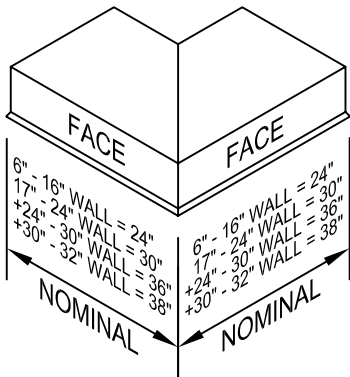
Model	Max. Wall Thickness	Cap Width	Standard Face	Standard Back Leg	Standard Coverage	Chair Height
PC+600	6	6 3/4	3 3/4	4	2 3/8	3/4
PC+700	7	7 3/4	3 13/16	4	2 3/8	13/16
PC+800	8	8 3/4	3 7/8	4	2 3/8	7/8
PC+900	9	9 3/4	3 7/8	4	2 3/8	7/8
PC+1000	10	10 3/4	3 15/16	4	2 3/8	15/16
PC+1100	11	11 3/4	4	4	2 3/8	1
PC+1200	12	12 3/4	4 1/16	4	2 3/8	1 1/16
PC+1300	13	13 3/4	4	4	2 3/8	1
PC+1400	14	14 3/4	4 1/16	4	2 3/8	1 1/16
PC+1500	15	15 3/4	4 1/16	4	2 3/8	1 1/16
PC+1600	16	16 3/4	4 1/8	4	2 3/8	1 1/8
MIN.	6	6	2 1/2	2 1/2	1 1/16	3/4
STD.	-	-	4 ±	4 ±	2 3/8	-
MAX.	16	16 3/4	12	6	10 1/4	1 1/8



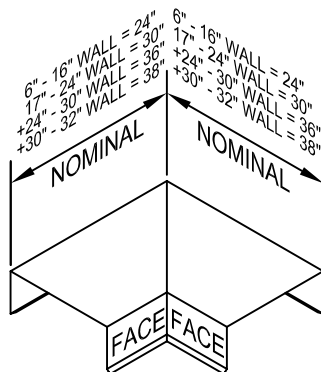
END CAP
RIGHT HAND SHOWN



END TERM
LEFT HAND SHOWN



OUTSIDE CORNER



INSIDE CORNER

STANDARD FASCIA CORNERS ARE 90° - 24" X 24".
STANDARD END CAPS ARE 24" LONG.

FOR SPECIAL CORNER REQUIREMENTS, ATTACH SKETCHES
OR CONSULT MFR. FOR ASSISTANCE.

MINIMUM AND MAXIMUM SIZES ARE INDICATED. INTERMEDIATE
SIZES MAY BE SPECIFIED WITHIN THESE RANGES. CONSULT
MFR. FOR REQUIREMENTS NOT WITHIN THESE RANGES. WHEN
FACE SIZE EXCEEDS 6", ADDITIONAL FASTENERS ARE
REQUIRED ON FACE OF RETAINER.

