



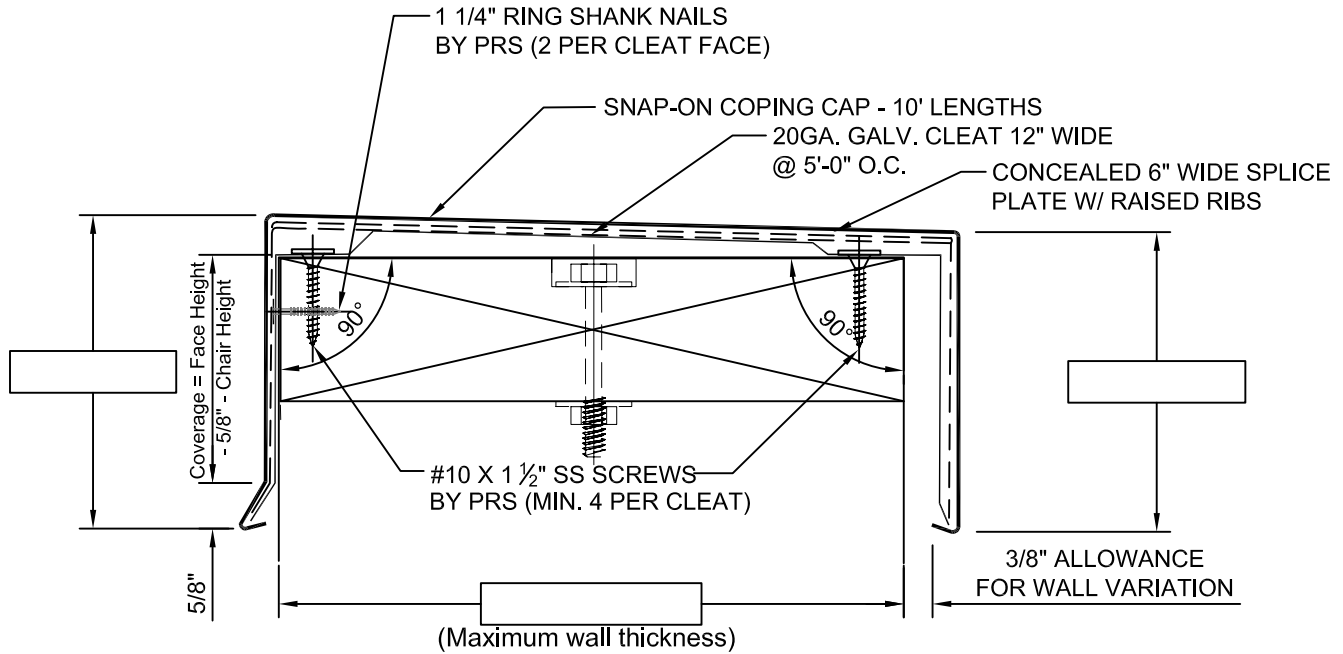
DERBIGUM®
MAKING BUILDINGS SMART

PERLOK® 90 COPING

Order/Specification Form

(For Parapets 6" - 32")

**Factory Mutual Approved
ANSI/SPRI ES-1 Tested**



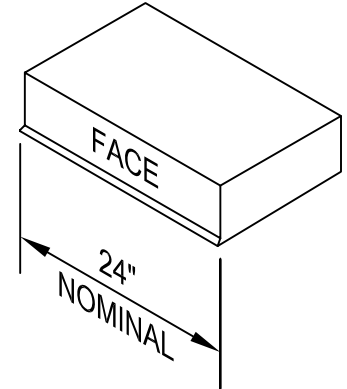
<p>QUANTITY, THIS DETAIL</p> <p>_____ TOTAL LF</p> <p>_____ OUTSIDE CORNERS</p> <p>_____ INSIDE CORNERS</p> <p>_____ SPECIAL CORNERS (attach sketches)</p> <p>_____ END CAP - L</p> <p>_____ END CAP - R</p> <p>_____ END TERM - L</p> <p>_____ END TERM - R</p> <p>_____ RADIUS LF (58" PCS)</p> <p>_____ RADIUS CORNERS (attach sketches)</p>	<p>MATERIAL</p> <p><input type="checkbox"/> ALUMINUM</p> <p><input type="checkbox"/> GALVANIZED</p> <p><input type="checkbox"/> STAINLESS STEEL</p> <p><input type="checkbox"/> _____</p> <p>THICKNESS</p> <p><input type="checkbox"/> .040</p> <p><input type="checkbox"/> .050</p> <p><input type="checkbox"/> .063</p> <p><input type="checkbox"/> 24 GA</p> <p><input type="checkbox"/> _____</p>	<p>ACCESSORY TYPE</p> <p><input type="checkbox"/> WELDED</p> <p><input type="checkbox"/> METAL-LOCK</p> <p>* IF ACCESSORY TYPE IS NOT CHECKED, WE WILL ASSUME "METAL-LOCK"</p>	<p>FINISH</p> <p><input type="checkbox"/> MILL FINISH</p> <p><input type="checkbox"/> PREFINISHED KYNAR</p> <p><input type="checkbox"/> POST FINISHED KYNAR</p> <p><input type="checkbox"/> PREFINISHED ANODIZE</p> <p><input type="checkbox"/> POST FINISHED ANODIZE</p> <p><input type="checkbox"/> _____</p> <p>.063 PREFINISHED KYNAR IS ONLY AVAILABLE IN 7 STD. COLORS.</p> <p>COLOR _____</p>
--	---	--	---

<p>Transmittal</p> <p><input type="checkbox"/> REQUEST FOR QUOTATION</p> <p><input type="checkbox"/> SUBMIT FOR APPROVAL</p> <p><input type="checkbox"/> REQUEST FOR INFORMATION</p> <p><input type="checkbox"/> CONFIRMING TELECONFERENCE</p> <p><input type="checkbox"/> FOR YOUR FILES</p> <p>By _____ Date _____</p>	<p>Customer Approval</p> <p><input type="checkbox"/> APPROVED FOR FABRICATION</p> <p><input type="checkbox"/> APPROVED AS NOTED</p> <p><input type="checkbox"/> AMEND & RESUBMIT</p> <p>_____</p> <p>Authorized Customer Signature</p> <p>_____</p> <p>Title _____ Date _____</p>
---	---

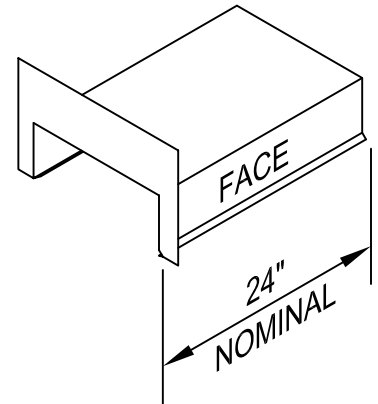
Job Name	Job #
Location	Sheet of
Customer	By
Representative	Date
Architect	G:\A13\ORDERSPEC\OEM

PERLOK® 90 COPING

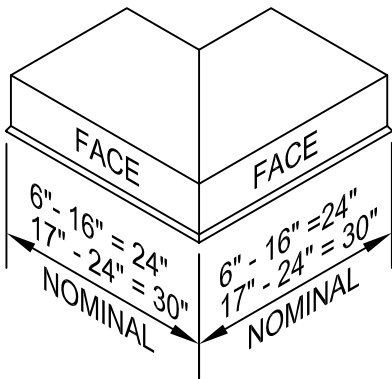
Model	Max. Wall Thickness	Cap Width	Standard Face	Standard Back Leg	Standard Coverage	Chair Height
PC-600	6	6 3/4	3 3/4	4	2 3/8	3/4
PC-700	7	7 3/4	3 13/16	4	2 3/8	13/16
PC-800	8	8 3/4	3 7/8	4	2 3/8	7/8
PC-900	9	9 3/4	3 7/8	4	2 3/8	7/8
PC-1000	10	10 3/4	3 15/16	4	2 3/8	15/16
PC-1100	11	11 3/4	4	4	2 3/8	1
PC-1200	12	12 3/4	4 1/16	4	2 3/8	1 1/16
PC-1300	13	13 3/4	4	4	2 3/8	1
PC-1400	14	14 3/4	4 1/16	4	2 3/8	1 1/16
PC-1500	15	15 3/4	4 1/16	4	2 3/8	1 1/16
PC-1600	16	16 3/4	4 1/8	4	2 3/8	1 1/8
MIN.	6	6	2 1/2	2 1/2	1 1/16	3/4
STD.	-	-	4 ±	4 ±	2 3/8	-
MAX.	16	16 3/4	12	6	10 1/4	1 1/8



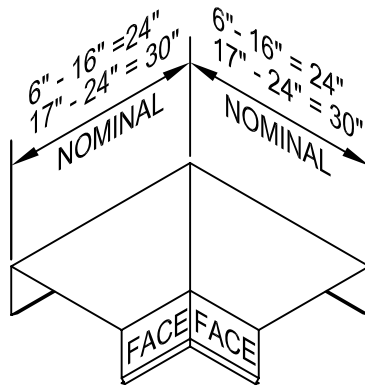
END CAP
RIGHT HAND SHOWN



END TERM
LEFT HAND SHOWN



OUTSIDE CORNER

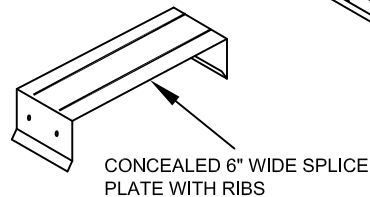
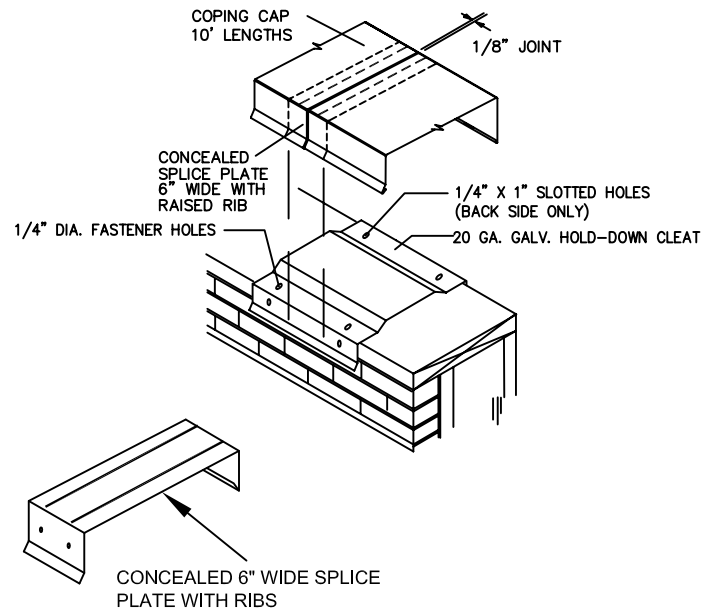


INSIDE CORNER

STANDARD FASCIA CORNERS ARE 90° - 24" X 24". STANDARD END CAPS ARE 24" LONG.

FOR SPECIAL CORNER REQUIREMENTS, ATTACH SKETCHES OR CONSULT MFR. FOR ASSISTANCE.

MINIMUM AND MAXIMUM SIZES ARE INDICATED. INTERMEDIATE SIZES MAY BE SPECIFIED WITHIN THESE RANGES. CONSULT MFR. FOR REQUIREMENTS NOT WITHIN THESE RANGES. WHEN FACE SIZE EXCEEDS 6", ADDITIONAL FASTENERS ARE REQUIRED ON FACE OF RETAINER.



DERBIGUM®

PERFORMANCE
ROOF SYSTEMS

4800 Blue Parkway
Kansas City, MO 64130
Phone: 800-727-9872 Fax: 816-921-5007
Email: info@derbigum.com - www.derbigum.com