

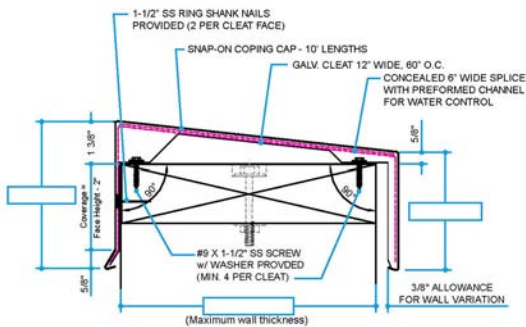
Roof Edge Products

Coping



Permasnap[®] Plus!

- Utilizes a 16-gauge cleat to withstand the peeling effect of strong winds.
- Internal metal chair drainage system eliminates caulked joints.
- Can be fabricated for any width wall from 6" to 32".
- Permasnap Plus! with a 16-gauge galvanized steel cleat is approved for up to a FM 1-180 Wind Storm Rating and has Category 5, 25-Year, 155 mph Warranty.
- Pre-punched holes and supplied fasteners for proper attachment and fast installation.



Permasnap[®]

- Permasnap's internal metal chair drainage system eliminates caulked joints.
- Standard Permasnap with a 20-gauge galvanized steel cleat is approved for up to a FM 1-90 Wind Storm Rating and has a 20-Year, 110 mph Excel Warranty.
- Can be fabricated for any width wall from 6" to 32".
- Pre-punched holes and supplied fasteners for proper attachment and fast installation.



Permasnap[®] Accessories

- Corners, end caps, transitions, pier or pilaster caps, curved or arched coping caps.
- True welded radius, matching corners, end caps and other accessories are factory fabricated for precise fit and beautiful finish.

ANSI/SPRI ES-1

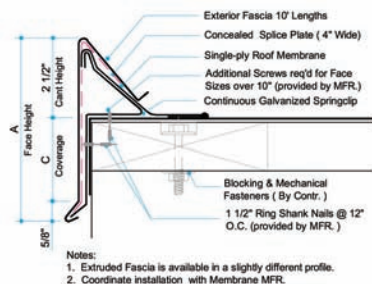
Hickman coping and fascia products have been tested in accordance with the protocols of the ANSI/SPRI ES-1 Roof Edge Standard, and when installed as required by our provided instructions, will withstand the Design Pressures calculated using ES-1 as prescribed by Section 1504.5 of the International Building Code. Hickman has received Underwriters Laboratories Inc.[®] (UL) Classification for roof edge systems.

Fascia

Econosnap[®]



- Low-cost versatile fascia available in formed galvanized steel and formed or extruded aluminum
- Standard face sizes are 5.5", 7", 8.5" and 10".
- Custom sizes available upon request.

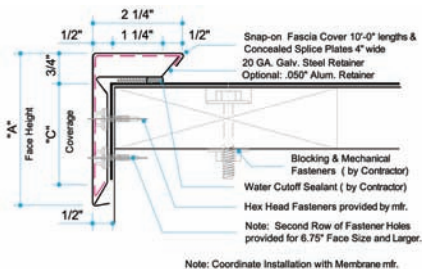


- Snap-on system that doesn't require field crimping assuring fast, clean installation.
- 20-Year Excel Warranty for wind speeds up to 110 mph.
- Extruded aluminum version available in 6.25", 8", and 10" face sizes.

TerminEdge[™]



- Features a two-piece design with a snap-on fascia and rigid termination bar to prevent wind and water from penetrating the roof membrane.
- Standard face sizes are 3.75", 5.25", 6.75" and 8.25". Custom sizes available upon request.
- Clamps membrane against building perimeter like a termination bar.

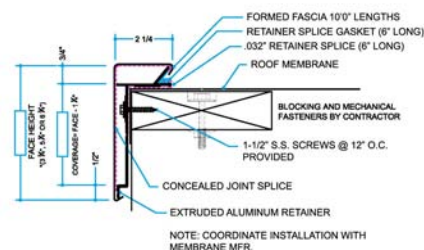


- Allows use of high-torque without penetrating top surface of membrane.
- Factory Mutual Wind Storm Approvals:
Up to FM 1-180 with 20-ga. galv. steel retainer.
Up to FM 1-465 with an .050" alum. retainer.
- Covered by our Category 5, 25-Year Warranty in wind conditions up to 155 mph.

Extruded TerminEdge[™]



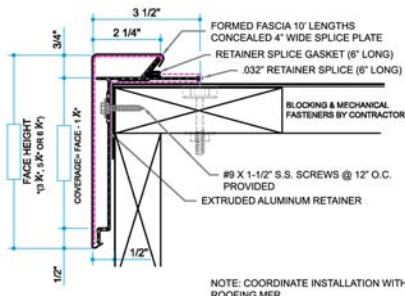
- Standard face sizes are 3.75", 5.25", and 6.75".
- Clamps membrane against building perimeter like a termination bar preventing leaks and blow-offs.
- Extruded retainers in three sizes: TEX-375 for one nailer, TEX-525 for two nailers and TEX-675 for three nailers of coverage.



- The TEX-375 model along with an extension cleat allow for custom face sizes from 5.75" to 13" in size.
- Covered by our Category 5, 25-Year Warranty in wind conditions up to 155 mph.

Fascia

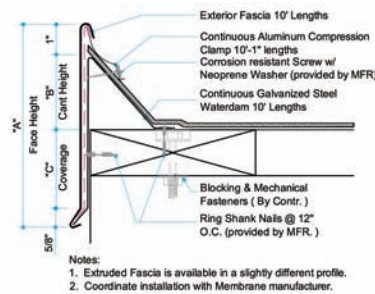
Extruded TerminEdge™ for BUR & Mod Bit



- Standard face sizes are 3.75", 5.25", and 6.75" and 8.25".
- Has a wide base flange that will secure BUR and modified roofing plies.

- The TEX-375 model along with an extension cleat allow for custom face sizes from 5.75" to 13" in size.
- Covered by our Category 5, 25-Year Warranty in wind conditions up to 155 mph.

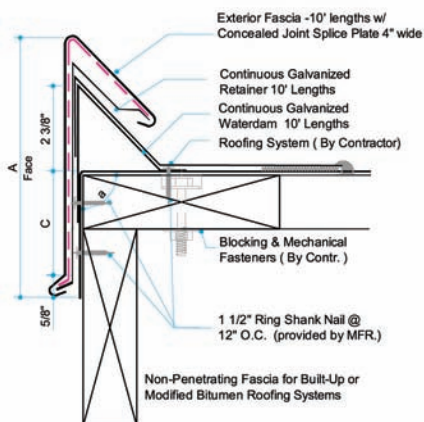
Safeguard® Gravel Stop



- Multi-part technology that prevents shrinking, pull-back and thermal separation from the roof's edge.
- Standard face sizes are 6.25", 7.75", 9.25" and 10.75". Custom sizes available upon request.

- Extrusions available in 6.25", 8" and 10" face sizes.
- Covered by our Category 5, 25-Year Warranty in wind conditions up to 155 mph.
- Protecting roofs for over 50 years.

Safeguard® NP Gravel Stop



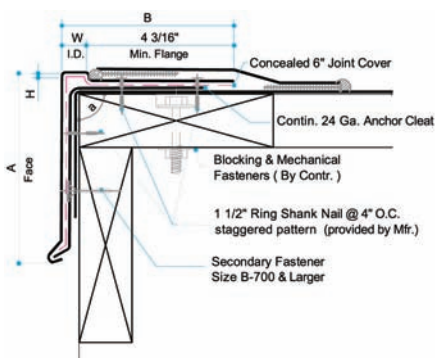
- For BUR, Mod Bit and thick single ply membranes.
- Grips the roofing membrane without the need for exposed fasteners.
- Standard face sizes are 6.25", 7.75", 9.25" and 10.75". Custom sizes available upon request.
- 20-Year Excel Warranty for wind speeds up to 110 mph.

Fascia

MBED[®]



- Roofing plies bond together through metal flange to create exceptional seal.
- Standard face sizes for the Box Style (as shown) are 3.25", 4.75", and 6.25" for easy drainage.
- Standard face sizes for the Gravel Stop style are 4", 5.5", and 7" to retain gravel and water.
- Custom sizes are available upon request.
- 20-Year Excel Warranty for wind speeds up to 110 mph.



Hickman's Three-Tier Warranty Program

25 Year Category 5 Warranty:



We warrant that our products will not blow off or leak in wind conditions up to 155 mph (3 second maximum peak gust speed) for a period of 25 years after shipment, when installed according to W.P. Hickman Co. installation guides.

20 Year Excel Warranty:

We warrant that our products will not blow off or leak in wind conditions up to 110 mph (3 second maximum peak gust speed) for a period of 20 years after shipment, when installed according to W.P. Hickman Co. installation guides.

5 Year Standard Limited Warranty:

We warrant our products to be free of defects in material and workmanship for a period of 5 years after shipment.

No other warranty is expressed or implied.

For information about any of our products

call 800-892-9173, or visit www.wph.com